

BARONESS[®]

Rotary Mower

GM2800A

5-Deck Rotary Mower

Parts catalog



Serial No.11009~

BARONESS[®]

Quality on Demand

Ver.1.0

Contents

PARTS CATALOGUE	2
1. Frame parts A	3
2. Frame parts B	7
3. Cover parts	9
4. Front wheel parts	11
5. Rear wheel parts.....	13
6. Brake parts	15
7. forward/backward pedal parts.....	17
8. Engine parts A	19
9. Engine parts B	23
10. Hydraulic parts A	27
11. Hydraulic parts B	31
12. Hydraulic parts C	33
13. Hydraulic parts D	35
14. Hydraulic parts E	37
15. Hydraulic parts F.....	39
16. Hydraulic parts G	41
17. Hydraulic parts H	45
18. Lift arm front parts.....	47
19. Lift arm rear parts	49
20. Deck parts.....	51
21. Accessory parts	53

5-Deck Rotary Mower **GM2800A** **BARONESS**[®]
Rotary Mower

PARTS CATALOGUE

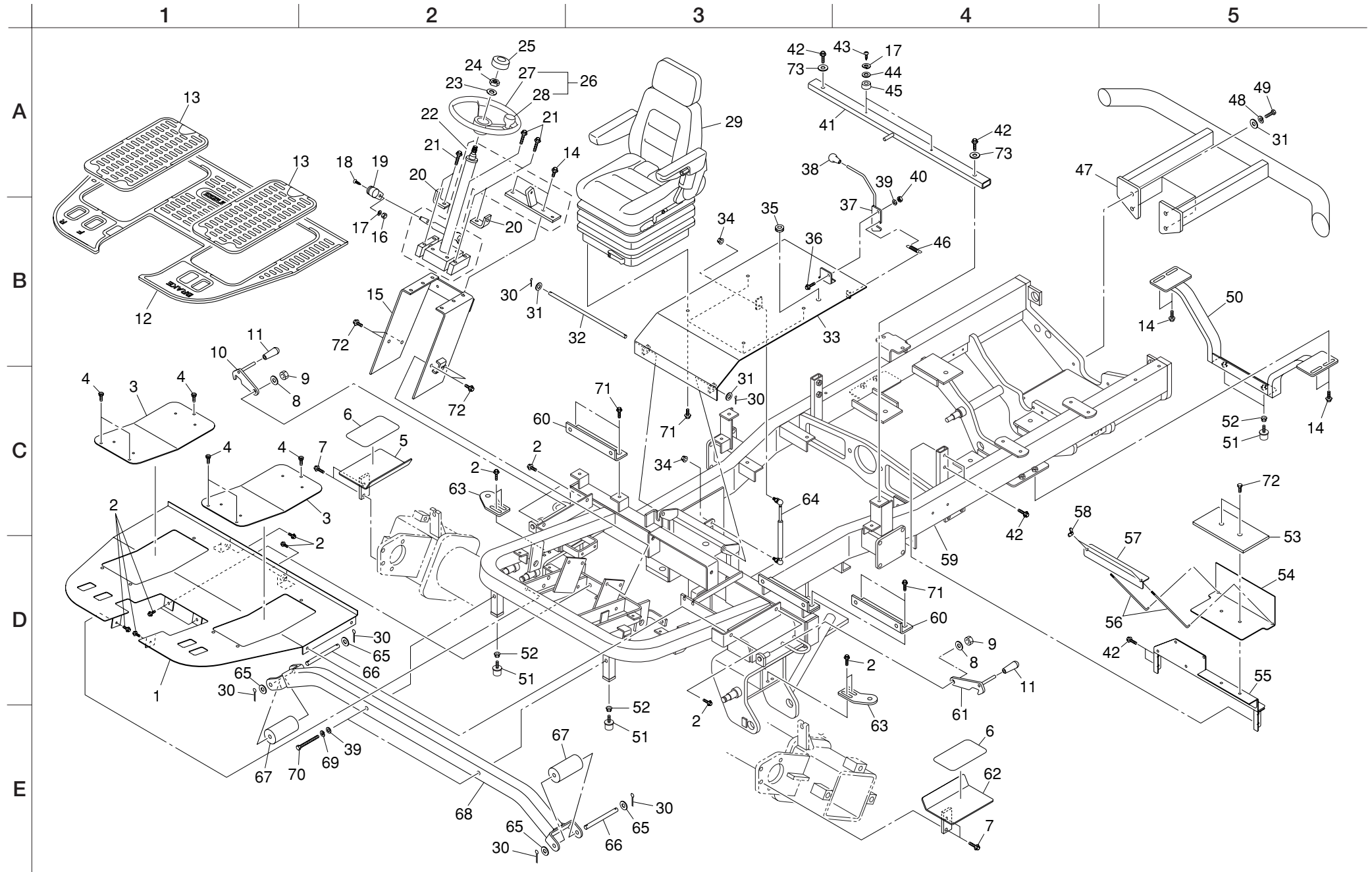
☆ **Ordering parts**

All parts in this parts catalogue are controlled by computer.

For prevention of delivery of wrong parts, advise us of the catalogue No., code No., and part name.

(Example)	Catalogue No.	Code No.	Part Name	Qty
	1-5	GM2800-0624ZD	step (R)	1

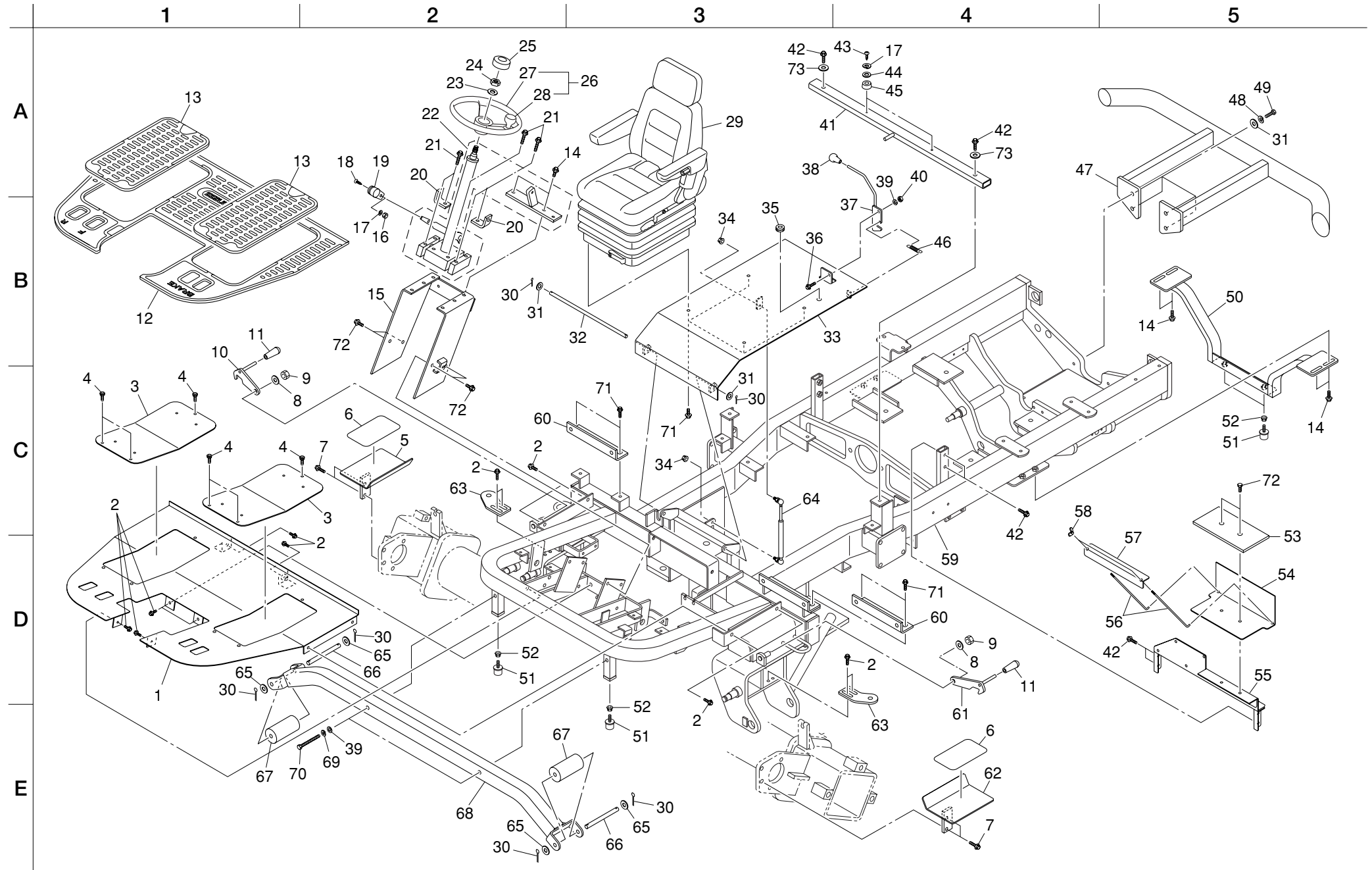
1. Frame parts A



Cat No.	Code No.	Part Name	Qty	Remark
1-1	LM2700-0620AD	step	1	
1-2	K0021080152	8 bolt with flange 15	14	
1-3	LM2700-0621AD	step cover	2	
1-4	K0062080122	hexagonal socket button bolt	6	
1-5	GM2800-0624ZD	step (R)	1	
1-6	K4400000030	pedal seat 100170	2	
1-7	K0021120302	12 bolt with flange 30	4	
1-8	K0210140002	14 conical spring L	2	
1-9	K0145140002	14U nut P1.5	2	
1-10	GM2800-0621AD	#4 lock lever	1	
1-11	K1300000110	9 grip yellow 22	2	
1-12	GM2800-0630A0	step rubber (L)	1	
1-13	LM2700-0629A0	step rubber (S)	2	
1-14	K0021100202	10 bolt with flange 20	8	
1-15	LM2700-0602ZD	handle mount	1	
1-16	K0100050002	5 nut	1	
1-17	K0200050002	5S washer	3	
1-18	K0042050082	5+ round head small screw 8	1	
1-19	K1301000150	throttle lever grip	1	
1-20	LM2700-0931ZD	front cover mount	2	
1-21	K0021100502	10 bolt with flange 50	8	
1-22	K1730000040	tilt steering column	1	
1-23	K0200140002	14S washer	1	
1-24	K0103140002	14 nut P1.5	1	
1-25	K1310000130	rubber cap	1	
1-26	K1710000070	steering with knob V027200-000	1	
1-27	K1710000080	steering V027220-0101	1	
1-28	K1710000090	knob Ass' y V027220-0200	1	
1-29	K1700000250	saddle DS85H/90	1	
1-30	K0300032222	3.2 split pin 22	6	
1-31	K5000120002	12 washer	6	
1-32	LM2700-0609Z2	12 shaft with holes 333	1	
1-33	GM2800-0606ZD	seat mount	1	
1-34	K0151080002	8 nut with flange	2	
1-35	K0910000020	grommet C30NG79H	1	

Cat No.	Code No.	Part Name	Qty	Remark
1-36	K0000100202	10 bolt 20	1	
1-37	LM2700-0607ZD	lever	1	
1-38	K1300000040	9 grip black35.5	1	
1-39	K5000100002	10 washer	3	
1-40	K0144100002	10U nut	1	
1-41	LM2700-0608AD	seat receiver	1	
1-42	K0021100302	10 bolt with flange 30	6	
1-43	K0042050152	5+ round head small screw 15	2	
1-44	K5000050002	5 washer	2	
1-45	K4039000130	rubber foot TK-3220	2	
1-46	K1030000098	1.6U hook spring 1266.8	1	
1-47	GM2800-0617ZD	bumper	1	
1-48	K0200120002	12S washer	4	
1-49	K0010120302	12 heat-treated bolt 30	4	
1-50	GM2800-0620ZD	rear deck stopper	1	
1-51	K4049050000	rubber stopper KI-50	4	
1-52	K0151100002	10 nut with flange	4	
1-53	K4035000140	battery anti-vibration rubber	1	
1-54	GM2800-0603ZD	battery mount	1	
1-55	GM2800-0602ZD	valve mount	1	
1-56	GM2800-0605ZD	battery support rod	2	
1-57	GM2800-0604ZD	battery support	1	
1-58	K0140060002	6 wing nut	2	
1-59	GM2800-0601AD	frame	1	
1-60	GM2800-0627ZD	cover mount	2	
1-61	GM2800-0622AD	#5 lock lever	1	
1-62	GM2800-0623ZD	step(L)	1	
1-63	LM2700-0625ZD	switch mount plate	2	
1-64	K3381000010	gas spring C25	1	
1-65	K5000140002	14 washer	4	
1-66	GM2800-0629Z2	roller shaft 155	2	
1-67	GM2800-0628Z0	rubber roller	2	
1-68	GM2800-0614ZD	arm guide	1	
1-69	K0200100001	10S washer	2	
1-70	K0003101002	10 bolt 100	2	

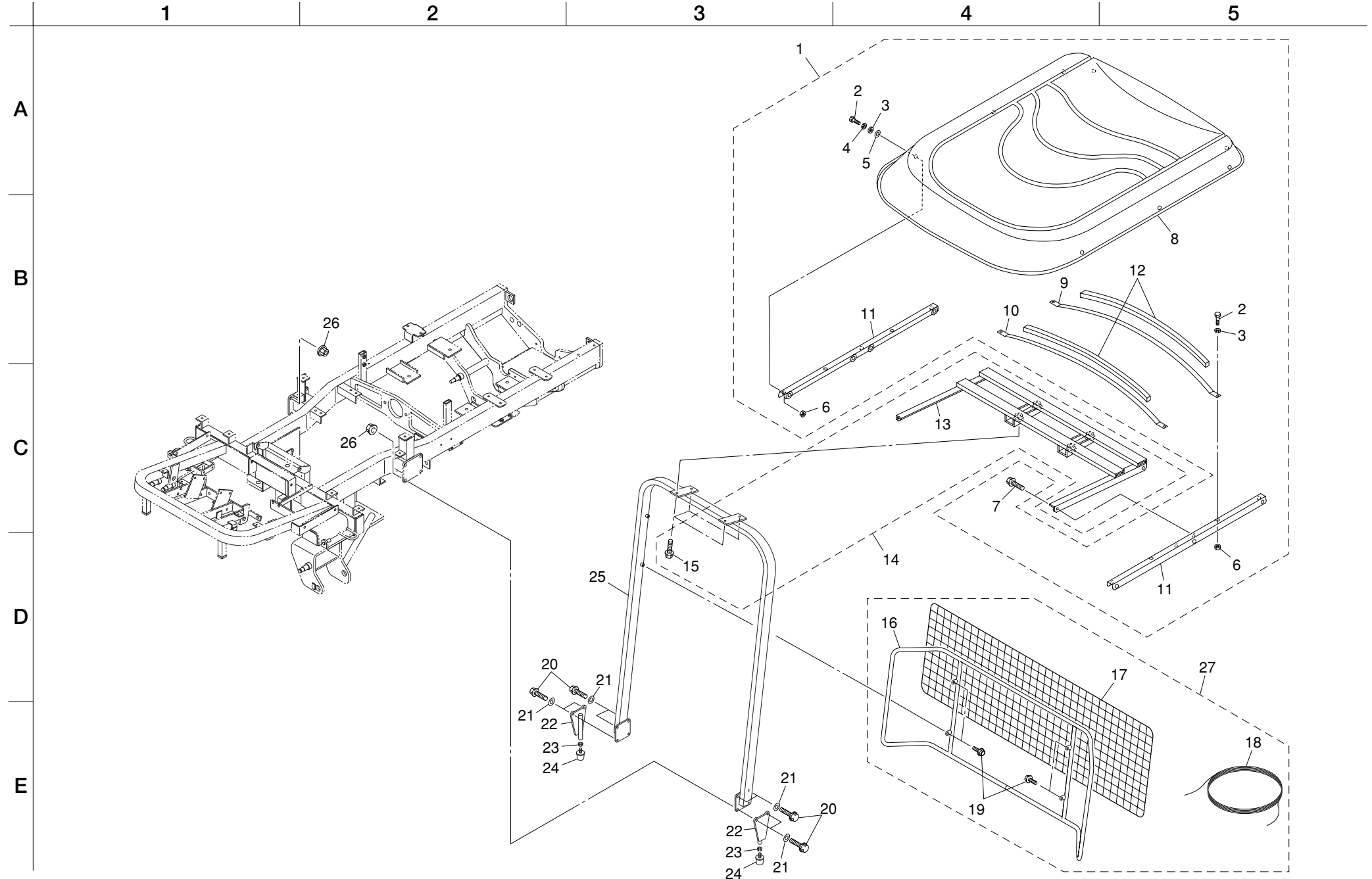
1. Frame parts A



Cat No.	Code No.	Part Name	Qty	Remark
1-71	K0021080202	8 bolt with flange 20	6	
1-72	K0021100152	10 bolt with flange 15	6	
1-73	K5073210352	3.2SPHC metal washer 1035	2	

Cat No.	Code No.	Part Name	Qty	Remark

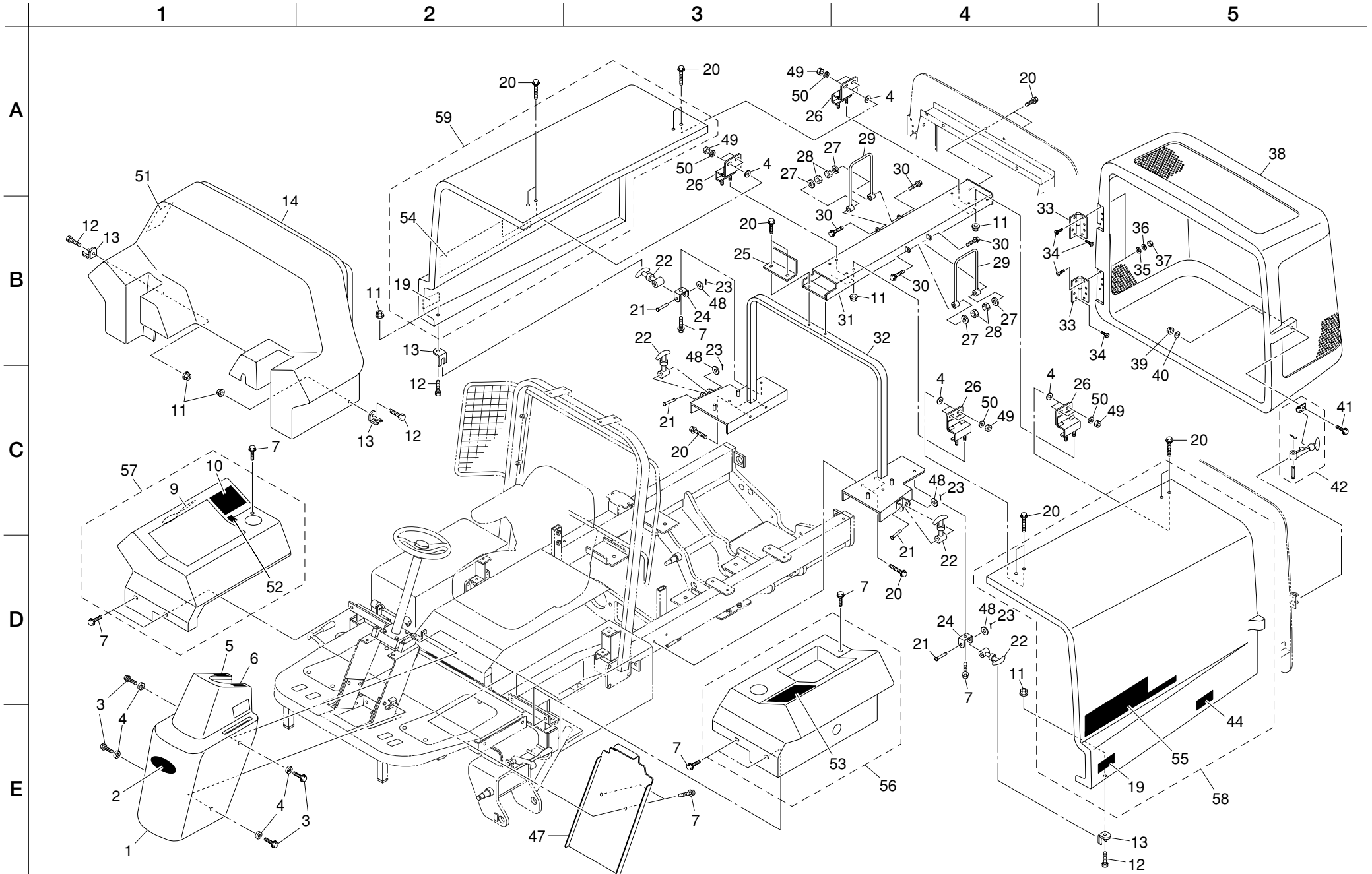
2. Frame parts B



Cat No.	Code No.	Part Name	Qty	Remark
2-1	K9120000030	roof Ass' y	1	
2-2	K0000080152	8 bolt 15	10	
2-3	K0200080002	8S washer	10	
2-4	K5012308322	2.3SPCC metal washer 832	6	
2-5	K1900000130	rubber for roof	6	
2-6	K0100080002	8 nut	10	
2-7	K0021100202	10 bolt with flange 20	4	
2-8	K1900000080	roof	1	
2-9	K190000009D	arch A	1	
2-10	K190000010D	arch B	1	
2-11	K190000011D	hood support	2	
2-12	K1900000120	20 urethane sponge 20840	2	
2-13	K722000007D	awning frame	1	
2-14	K9120000020	awning frame Ass' y	1	
2-15	K0021120202	12 bolt with flange 20	4	
2-16	K789900109D	ball-proof net mount plate	1	
2-17	K4130000010	ball-proof net 500×1375	1	
2-18	K4140000010	φ2 rope 6700	2	
2-19	K0021080152	8 bolt with flange 15	4	
2-20	K0000120302	12 bolt 30	8	
2-21	K5000120002	12 washer	8	
2-22	GM2800-0626ZD	stopper	2	
2-23	K0151100002	10 nut with flange	2	
2-24	K4049050000	rubber stopper KI-50	2	
2-25	LM526--0615ZD	roll bar	1	
2-26	K0151120002	12 nut with flange	8	
2-27	K8990000010	ball-proof net Ass' y	1	

Cat No.	Code No.	Part Name	Qty	Remark

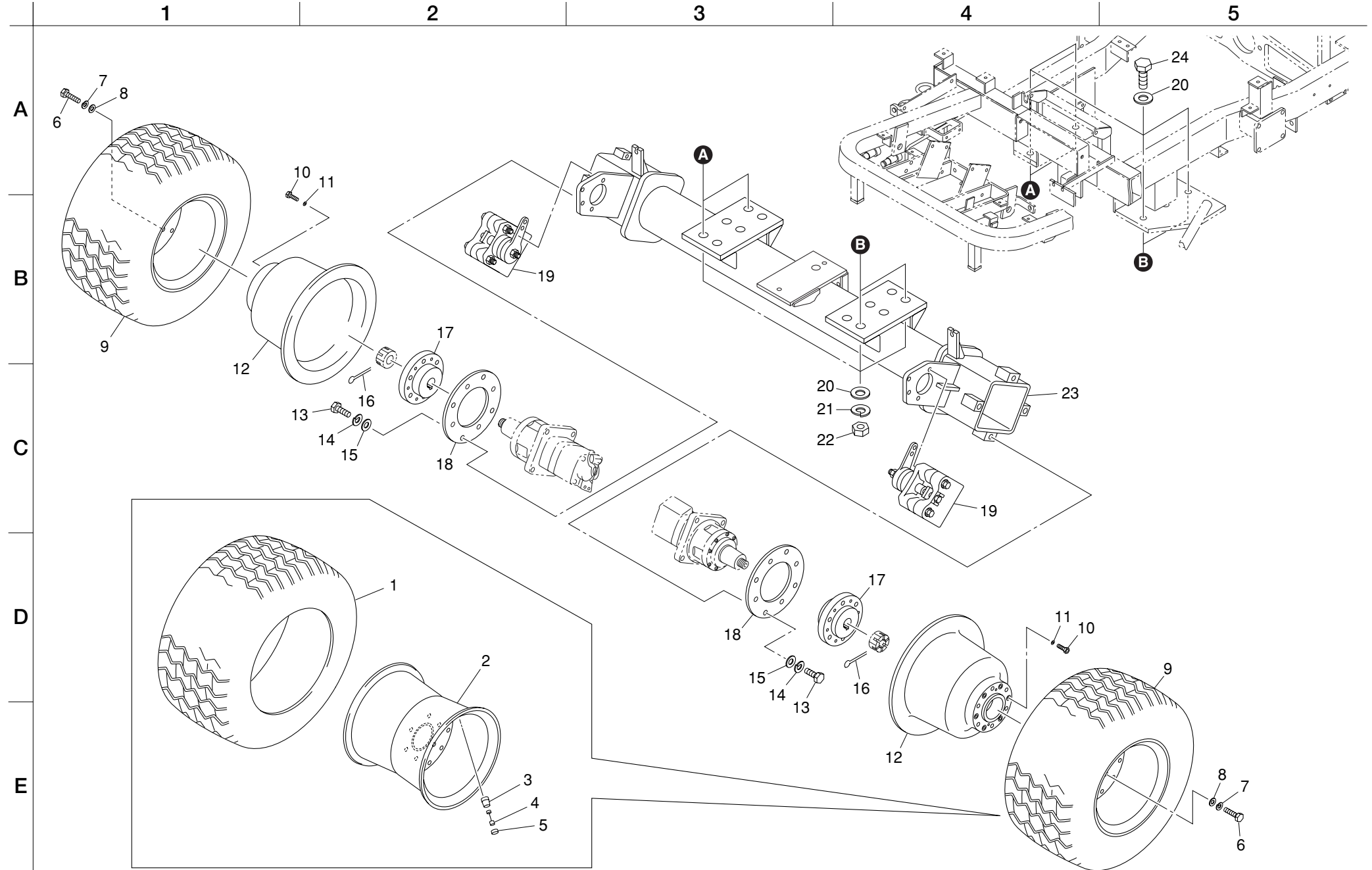
3. Cover parts



Cat No.	Code No.	Part Name	Qty	Remark
3-1	LM2700-0926Z0	front cover	1	
3-2	K4201000570	BARONESS mark	1	
3-3	K0045080202	8+ truss small screw 20	4	
3-4	K4031000070	5 anti-vibration rubber 825	12	
3-5	K4203001350	tilt steering mark	1	
3-6	K4203001340	parking brake mark	1	
3-7	K0021080152	8 nut with flange 15	10	
3-8				
3-9	K4209001000	fuel filler port mark	1	
3-10	K4205001630	start/stop label	1	
3-11	K0151080002	8 nut with flange	12	
3-12	K0000080152	8 bolt 15	4	
3-13	K5270002352	rubber catch	4	
3-14	GM2800-0902A0	center cover	1	
3-15				
3-16				
3-17				
3-18				
3-19	K4205001580	caution mark (injury)	2	
3-20	K0021080202	8 bolt with flange 20	16	
3-21	K6030060352	6 flat-head pin 35	4	
3-22	K1520000090	rubber catch (S)	4	
3-23	K0300016162	1.6 split pin 16	4	
3-24	K5200000102	rubber catch stopper	2	
3-25	GM2800-0930ZD	cover retainer	1	
3-26	GM2800-0920Z0	hinge Ass' y	4	
3-27	K5000100002	10 washer	4	
3-28	K0144100002	10U nut	4	
3-29	GM1500-0932B2	bonnet support	2	
3-30	K0021100402	10 bolt with flange 40	4	
3-31	GM2800-0916ZD	cover mount	1	
3-32	GM2800-0917ZD	cover frame	1	
3-33	GM2800-0931Z0	flag style hinge B-67-1R	2	
3-34	K0041050122	5+ countersunk head screw 12	16	
3-35	K5000050002	5 washer	8	

Cat No.	Code No.	Part Name	Qty	Remark
3-36	K0200050002	5S washer	8	
3-37	K0100050002	5 nut	8	
3-38	GM2800-0912Z0	radiator cover COMP	1	
3-39	K0151060002	6 nut with flange	1	
3-40	K5011606202	1.6SPCC metal washer 620	1	
3-41	K0021060302	6 bolt with flange 30	1	
3-42	K1520000030	rubber catch Ass' y	1	
3-43				
3-44	K4205001540	caution mark (hot parts)	1	
3-45				
3-46				
3-47	LM2700-0951ZD	front rear cover	1	
3-48	K5000060002	6 washer	4	
3-49	K0144080002	8U nut	8	
3-50	K5000080002	8 washer	8	
3-51	K4209001260	maintenance label	1	
3-52	K4209000720	noise level Lwa 105 mark	1	
3-53	K4204000110	mowing height label	1	
3-54	GM2800A0902Z0	BARONESS mark GM2800A right	1	
3-55	GM2800A0901Z0	BARONESS mark GM2800A left	1	
3-56	GM2800-1601Z0	tank cover left COMP	1	
3-57	GM2800-1602Z0	tank cover right COMP	1	
3-58	GM2800-1603Z0	bonnet left COMP	1	
3-59	GM2800-1604Z0	bonnet right COMP	1	

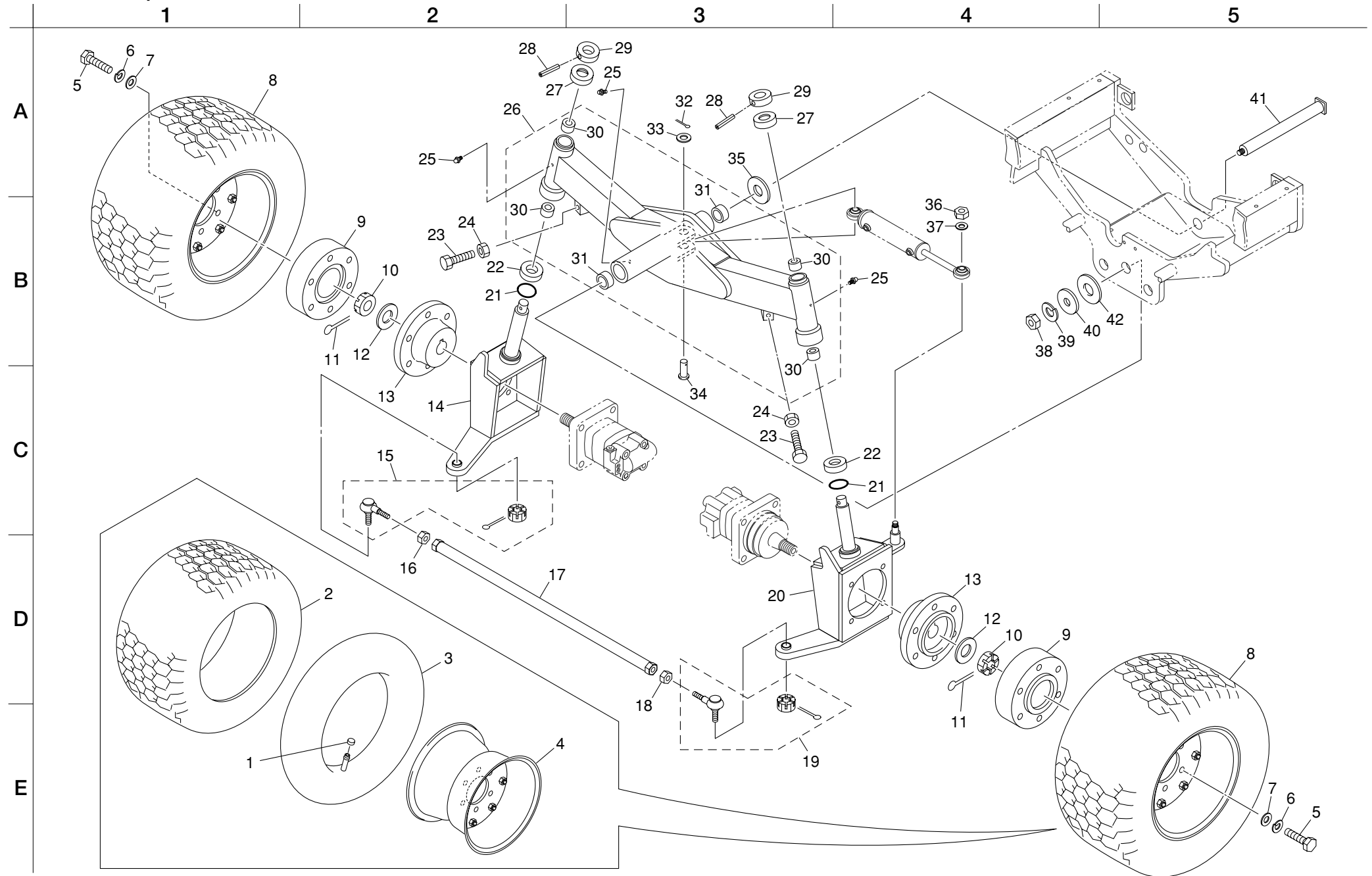
4. Front wheel parts



Cat No.	Code No.	Part Name	Qty	Remark
4-1	K2041000400	tyre 29×14.00-15UL	2	
4-2	K209000083L	wheel 15×13LT	2	
4-3	K2097000010	rim valve TR413	2	
4-4	K2092000010	valve core No.8000	2	
4-5	K2093000010	valve cap	2	
4-6	K0014120652	12 heat-treated bolt 65P1.5	12	
4-7	K0200120002	12S washer	12	
4-8	K5000120002	12 washer	12	
4-9	K2040000640	tyre 29×14.00-15TL Ass' y	2	
4-10	K0024080401	8 bolt with hex. hole 40	12	
4-11	K0215080002	8 metal washer with conical disk spring 2H	12	
4-12	LM2700-0305ZD	brake disk	2	
4-13	K0014160402	16 heat-treated bolt 40P1.5	8	
4-14	K0200160002	16S washer	8	
4-15	K5000160002	16 washer	8	
4-16	K0300040502	4 split pin 50	2	
4-17	LM2700-0306ZD	wheel clamping seat	2	
4-18	LM2700-0307Z2	motor mount plate	2	
4-19	K1720000190	RT brake Ass' y	2	
4-20	K5000200002	20 washer	8	
4-21	K0200200002	20S washer	4	
4-22	K0152200002	20 nylon nut P1.5	4	
4-23	LM2700-0308ZD	front axle	1	
4-24	K0015200702	20 heat-treated bolt 70P1.5	4	

Cat No.	Code No.	Part Name	Qty	Remark

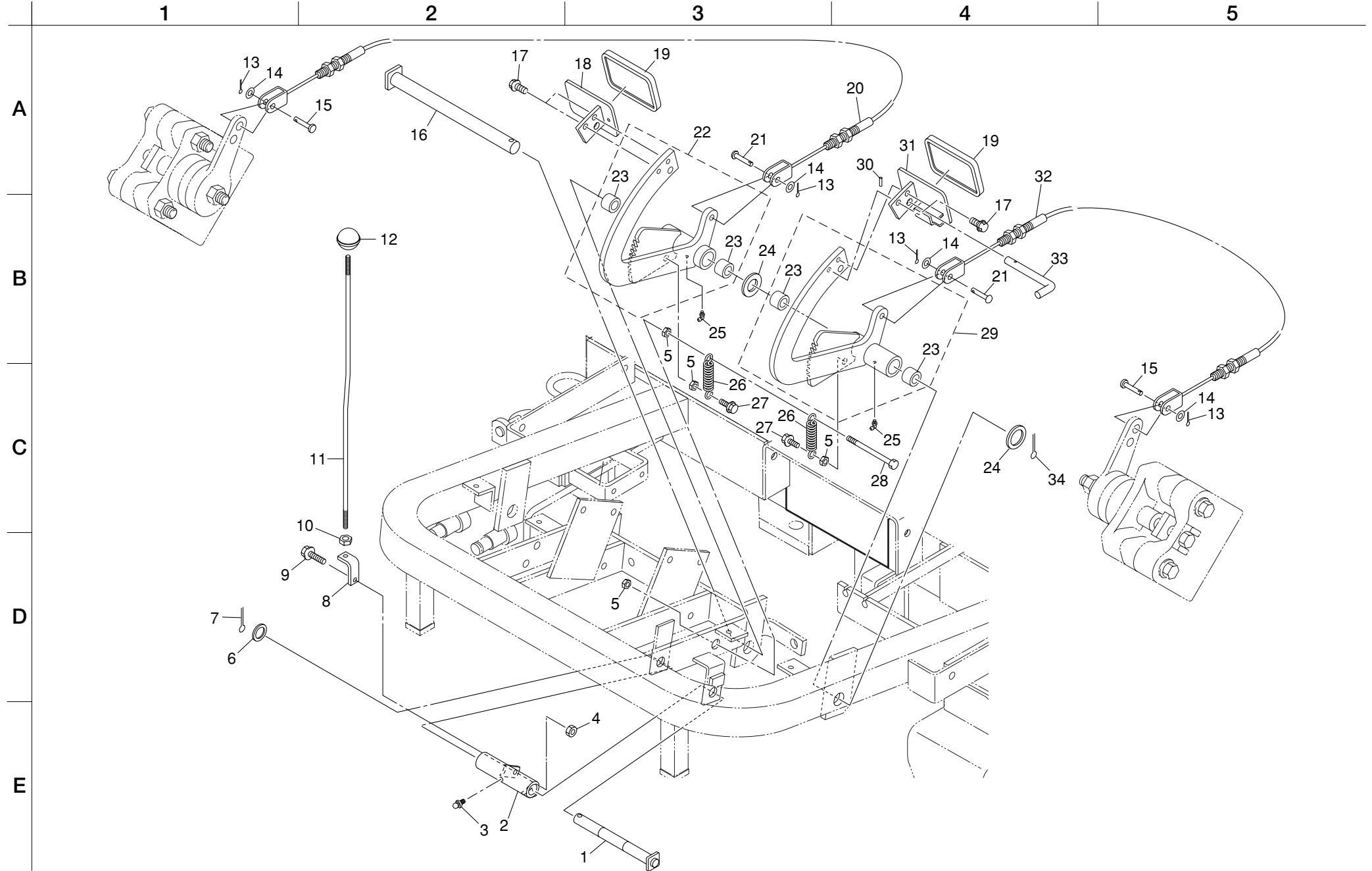
5. Rear wheel parts



Cat No.	Code No.	Part Name	Qty	Remark
5-1	K2093000010	valve cap	2	
5-2	K2041000390	tyre 20×12.00-10RS	2	
5-3	K2091000340	tube 20×11.00-10	2	
5-4	K209000082L	wheel 10×8.50DCT	2	
5-5	K0014120652	12 heat-treated bolt 65P1.5	12	
5-6	K0200120002	12S washer	12	
5-7	K5000120002	12 washer	12	
5-8	K2040000630	tyre 20×12.00-10Ass' y	2	
5-9	LM2700-0310ZD	rear wheel spacer	2	
5-10	K0138240002	24 slotted high nut P1.5	2	
5-11	K0300050452	5 split pin 45	2	
5-12	K5000240002	24 washer	2	
5-13	GM1500A0240AD	front wheel clamping seat 90	2	
5-14	LM2700-0303ZD	kingpin (R)	1	
5-15	K1610000020	tie-rod end (R) Ass' y	1	
5-16	K0160000192	17 special nut P1.5	1	
5-17	LM2700-0304ZD	tie-rod	1	
5-18	K0160000202	17 left-hand thread special nut P1.5	1	
5-19	K1611000020	tie-rod end (L) Ass' y	1	
5-20	LM2700-0302ZD	kingpin (L)	1	
5-21	K0880048000	O-ring P48	2	
5-22	K0640511070	thrust bearing 51107	2	
5-23	K0013120502	12 heat-treated bolt 50	2	
5-24	K0159000052	12 small nut	2	
5-25	K1440000010	grease nipple	3	
5-26	GM2800-0301ZD	pivot	1	
5-27	K6204000383	cover	2	
5-28	K0320080501	8 spring pin 50	2	
5-29	K6213000113	25 collar with hole 5020	2	
5-30	K6000000500	35 bush 4235	4	
5-31	K6000000080	30 bush 3630	2	
5-32	K0300032322	3.2 split pin 32	1	
5-33	K5012320402	2.3SPCC metal washer 2040	1	
5-34	K6031200568	20 hardened flat head pin 56	1	
5-35	K5051030500	1C5191P metal washer 3050	1	

Cat No.	Code No.	Part Name	Qty	Remark
5-36	K0145140002	14U nut P1.5	1	
5-37	K0215140001	14 metal washer with conical disk spring 2H	1	
5-38	K0100160002	16 nut	1	
5-39	K0200160002	16S washer	1	
5-40	K5073216352	3.2SPHC metal washer 1635	1	
5-41	K7147000258	shaft with M16 30316	1	
5-42	K5011030422	1SPCC metal washer 3042	1	

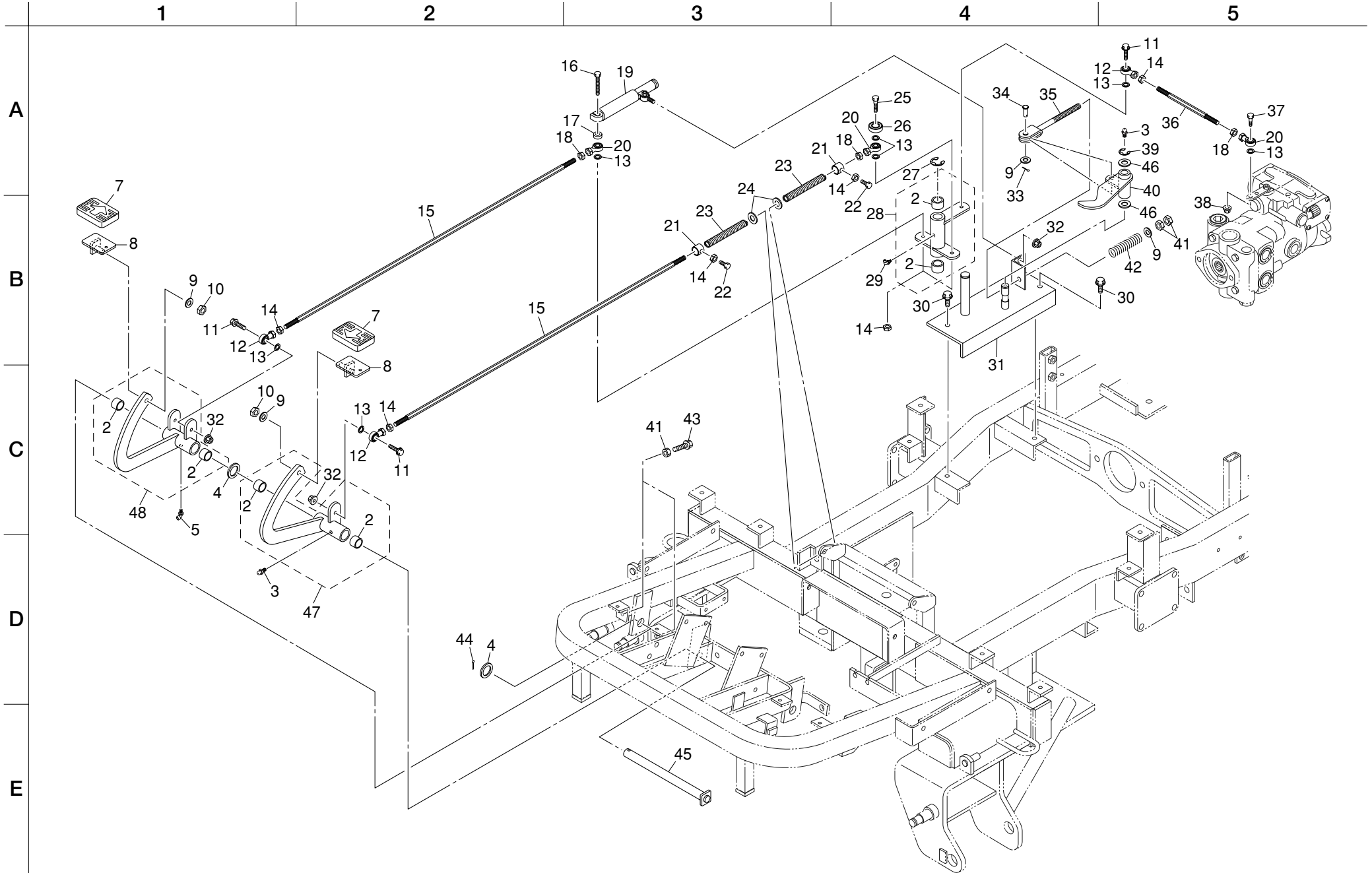
6. Brake parts



Cat No.	Code No.	Part Name	Qty	Remark
6-1	LM2700-0410Z2	brake shaft	1	
6-2	LM2700-0404ZD	brake mount	1	
6-3	K1440000010	grease nipple	1	
6-4	K0144060002	6U nut	1	
6-5	K0100100002	10 nut	4	
6-6	K5012316282	2.3SPCC metal washer 1628	1	
6-7	K0300032252	3.2 split pin 25	1	
6-8	LM2700-0406ZD	shaft mounting plate	1	
6-9	K0021060152	6 bolt with flange 15	1	
6-10	K0100080002	8 nut	1	
6-11	LM2700-0407ZD	lock shaft	1	
6-12	K1301000050	lever grip	1	
6-13	K0300025202	2.5 split pin 20	4	
6-14	K5000080002	8 washer	4	
6-15	K6030080172	8 flat head pin 17	2	
6-16	LM2700-0411Z2	pedal shaft	1	
6-17	K0021080152	8 bolt with flange 15	4	
6-18	GM2800-0403ZD	pedal (R)	1	
6-19	K4050000050	pedal rubber 70100	2	
6-20	K1120238000	brake wire 2380	1	
6-21	K6041080258	8 hardened round head pin 25.6	2	
6-22	GM2800-0401ZD	brake pedal (R)	1	
6-23	K6000000280	20 bush 2420	4	
6-24	K5011020322	1SPCC metal washer 2032	2	
6-25	K1440000020	C-shaped grease nipple	2	
6-26	K1020000048	2.3 round hook spring 1480	2	
6-27	K0021100202	10 bolt with flange 20	2	
6-28	K0013101202	10 heat-treated bolt 120	1	
6-29	GM2800-0402ZD	brake pedal (L)	1	
6-30	K0320030201	3 spring pin 20	1	
6-31	GM2800-0404ZD	pedal (L)	1	
6-32	K1120205500	brake wire 2055	1	
6-33	GM2800-0405Z2	pedal lever	1	
6-34	K0300032322	3.2 split pin 32	1	

Cat No.	Code No.	Part Name	Qty	Remark

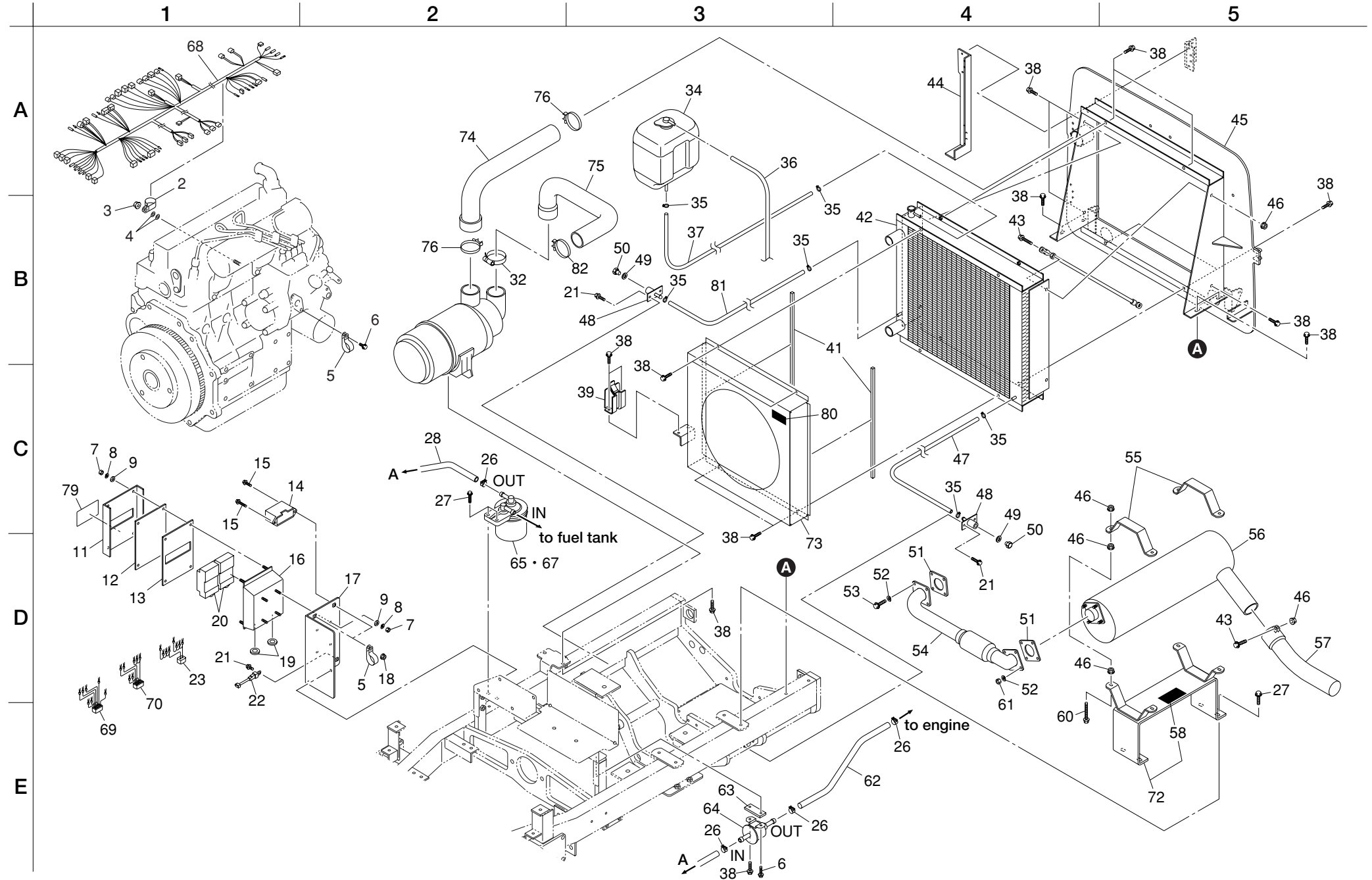
7. forward/backward pedal parts



Cat No.	Code No.	Part Name	Qty	Remark
7-1				
7-2	K6000000280	20 bush 2420	6	
7-3	K1440000010	grease nipple	2	
7-4	K5011020322	1SPCC metal washer 2032	2	
7-5	K1440000020	C-shaped grease nipple	1	
7-6				
7-7	LM2700-0420Z0	pedal rubber 5575	2	
7-8	LM2700-0408ZD	pedal B	2	
7-9	K5000100002	10 washer	4	
7-10	K0144100002	10U nut	2	
7-11	K0021080302	8 bolt with flange 30	3	
7-12	K1601080000	pillow ball rod end PHS8	3	
7-13	K5073208202	3.2SPHC metal washer 820	7	
7-14	K0100080002	8 nut	7	
7-15	GM2800-0415Z2	screw rod 1017	2	
7-16	K0000080552	8 bolt 55	1	
7-17	LM184--0310Z2	damper collar	1	
7-18	K0180080002	8 left-hand thread nut	3	
7-19	K3380000010	lever damper	1	
7-20	K16010800L0	pillow ball rod end PHS8LA	3	
7-21	K6218000012	12 collar with tap 2220	2	
7-22	K0000080152	8 bolt 15	2	
7-23	K1000000558	2 compression spring 18100	2	
7-24	K5000120002	12 washer	2	
7-25	LM2700-0418Z2	special bolt with M8	1	
7-26	K0608006290	bearing 6292RS	1	
7-27	K0400015002	stop ring E15	1	
7-28	LM2700-0413Z2	pump idle lever	1	
7-29	K1440000030	B-shaped grease nipple	1	
7-30	K0021100152	10 bolt with flange 15 (1pc)	2	
7-31	GM2800-0414Z2	pump center fitting	1	
7-32	K0151080002	8 nut with flange	3	
7-33	K0300025202	2.5 split pin 20	1	
7-34	K6031100258	10 hardened flat head pin 25	1	
7-35	K7303000092	lever adjuster	1	

Cat No.	Code No.	Part Name	Qty	Remark
7-36	LM2700-0416Z2	screw rod 170	1	
7-37	LM2700-0417Z2	special bolt with M6	1	
7-38	K0151060002	6 nut with flange	1	
7-39	K0400012002	stop ring E12	1	
7-40	GM2800-0412Z2	pump neutral lever	1	
7-41	K0100100002	10 nut	4	
7-42	K100000082D	2.6 compression spring 17.270	1	
7-43	K0000100352	10 bolt 50	2	
7-44	K0300032322	3.2 split pin 32	1	
7-45	LM2700-0411Z2	pedal shaft	1	
7-46	K5011016242	1SPCC metal washer 1624	2	
7-47	GM2800-0406AD	forward pedal	1	
7-48	GM2700-0402AD	backward pedal	1	

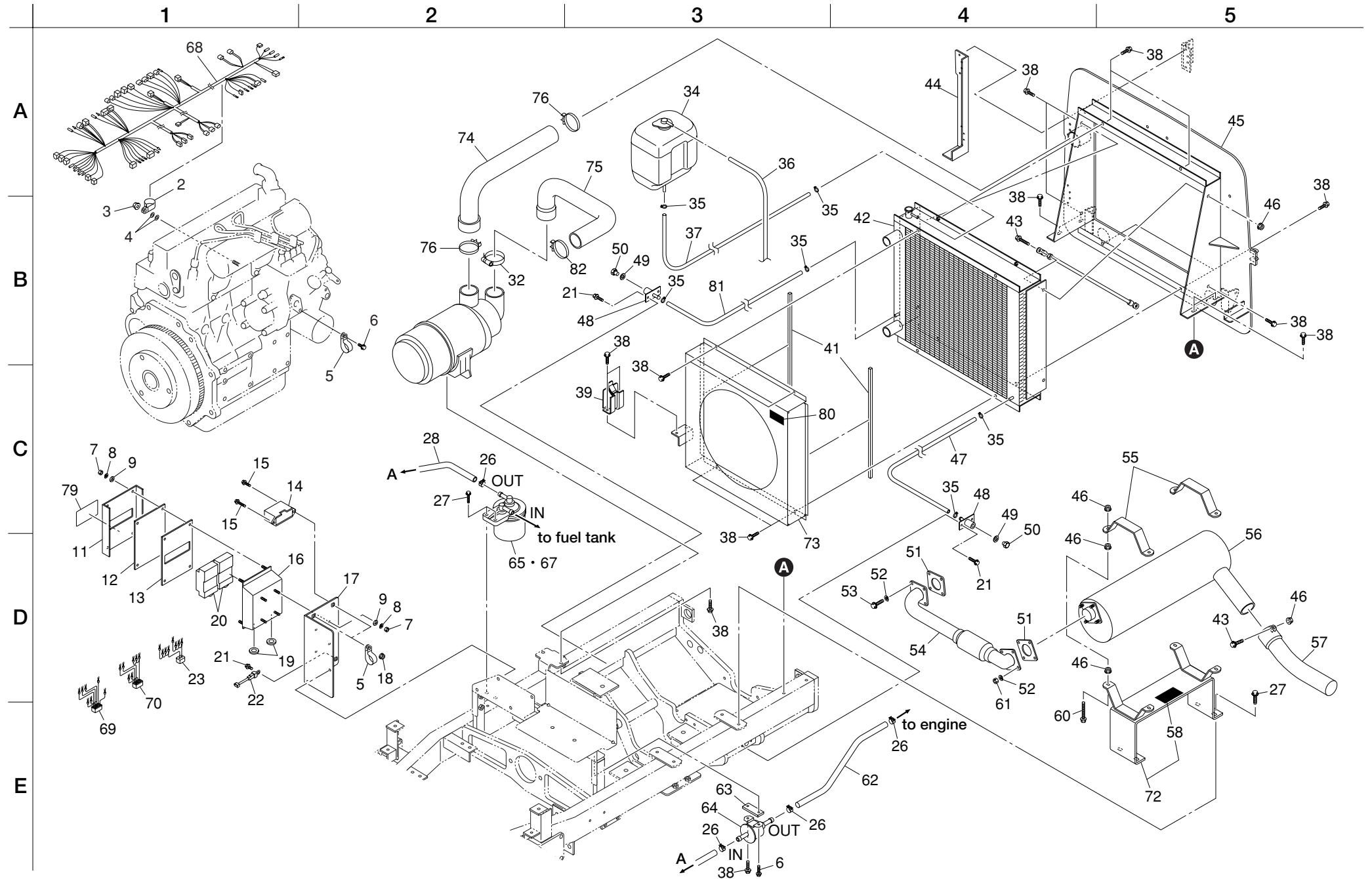
8. Engine parts A



Cat No.	Code No.	Part Name	Qty	Remark
8-1				
8-2	K 4 2 8 1 0 0 0 0 2 0	8.5 harness clamp 80	1	
8-3	K 0 1 5 1 0 8 0 0 0 2	8 nut with flange	1	
8-4	K 5 0 0 0 0 8 0 0 0 2	8 washer	2	
8-5	K 4 2 7 0 0 2 2 0 6 0	22 harness grip M6	3	
8-6	K 0 0 2 1 0 6 0 1 5 2	6 bolt with flange 15	2	
8-7	K 0 1 0 0 0 5 0 0 0 2	5 nut	8	
8-8	K 0 2 0 0 0 5 0 0 0 2	5S washer	8	
8-9	K 5 0 0 0 0 5 0 0 0 2	5 washer	8	
8-10				
8-11	GM2800-0519ZD	box cover	1	
8-12	GM2800-0518Z0	1.5 acrylic board 134189	1	
8-13	GM2800-0517Z0	1 rubber packing 134189	1	
8-14	K 3 6 3 0 0 0 0 0 9 0	mini-fuse block 10P-A	1	
8-15	K 0 0 2 1 0 6 0 3 0 2	6 bolt with flange 30	2	
8-16	GM2800-0516ZD	relay box	1	
8-17	GM2800-0522AD	relay mounting metal	1	
8-18	K 0 1 5 1 0 6 0 0 0 2	6 nut with flange	2	
8-19	K 0 9 0 0 3 0 0 1 6 0	grommet with film C30SG16A	2	
8-20	K 3 6 8 0 0 0 0 0 3 0	terminal relay G6B-4CB	2	
8-21	K 0 0 2 1 0 6 0 1 0 2	6 bolt with flange 10	3	
8-22	K 3 6 2 0 0 0 0 7 2 0	fusible link	1	
8-23	GM2800-0511Z0	relay wire C	1	
8-24				
8-25				
8-26	K 4 2 6 0 0 0 0 1 7 2	hose clamp KS-11-19	4	
8-27	K 0 0 2 1 0 8 0 2 0 2	8 bolt with flange 20	6	
8-28	K 3 1 8 0 0 0 8 0 0 0	fuel hose FUEL8×1B800	1	
8-29				
8-30	K 4 2 6 1 0 3 6 0 0 0	4669 clamp	2	
8-31				
8-32	K 4 2 6 1 0 4 4 0 0 0	parker clamp 29-76	1	
8-33				
8-34	P F 1 5 5 0 1 - 7 2 4 0 - 4	reserve tank	1	
8-35	K 4 2 6 0 0 0 0 1 5 0	hose clamp 12	6	

Cat No.	Code No.	Part Name	Qty	Remark
8-36	GM2800-0528Z0	drain hose 700	1	
8-37	GM2800-0527Z0	drain hose 950	1	
8-38	K 0 0 2 1 0 8 0 1 5 2	8 bolt with flange 15	20	
8-39	P F 1 5 5 2 1 - 7 2 4 6 - 2	reserve tank stay	1	
8-40				
8-41	K 4 2 2 0 0 0 0 2 3 0	10 urethane sponge 10500	2	
8-42	GM2800-0501Z0	radiator	1	
8-43	K 0 0 2 1 0 8 0 3 0 2	8 bolt with flange 30	2	
8-44	GM2800-0523ZD	guide plate	1	
8-45	GM2800-0502BD	radiator mounting frame	1	
8-46	K 0 1 5 1 0 8 0 0 0 2	8 nut with flange	14	
8-47	GM2800-0526Z0	drain hose 300	1	
8-48	LM2700-0561Z2	TER39280AB joint	1	
8-49	LM2700-0562Z0	packing	1	
8-50	LM2700-0563Z0	drain plug	1	
8-51	P F 1 7 3 2 6 - 1 2 2 3 - 1	muffler packing	2	
8-52	K 0 2 0 0 0 8 0 0 0 2	8S washer	8	
8-53	K 0 0 0 0 0 8 0 2 0 2	8 bolt 20	4	
8-54	GM2800-0507ZU	exhaust pipe	1	
8-55	LM2700-0524ZU	muffler mount plate	2	
8-56	P F 1 G 3 7 2 - 1 2 1 1 - 1	muffler	1	
8-57	GM2800-0521ZU	tail pipe	1	
8-58	K 4 2 0 5 0 0 1 5 4 0	caution mark (hot parts)	1	
8-59				
8-60	K 0 0 2 1 0 8 0 5 0 2	8 bolt with flange 50	4	
8-61	K 0 1 0 0 0 8 0 0 0 2	8 nut	4	
8-62	K 3 1 8 0 0 0 5 0 0 0	fuel hoseFUEL8×1B500	1	
8-63	P F 6 6 5 9 1 - 5 4 5 6 - 3	anti-vibration rubber	1	
8-64	P F R 1 4 0 1 - 5 1 3 5 - 1	fuel pump Ass'y	1	
8-65	P F 1 5 2 2 4 - 4 3 0 1 - 3	fuel filter	1	
8-66				
8-67	P F 1 5 2 2 1 - 4 3 1 7 - 0	filter element	1	
8-68	GM2800-0535Z0	wire harness	1	
8-69	GM2800-0536Z0	relay wire A	1	
8-70	GM2800-0537Z0	relay wire B	1	

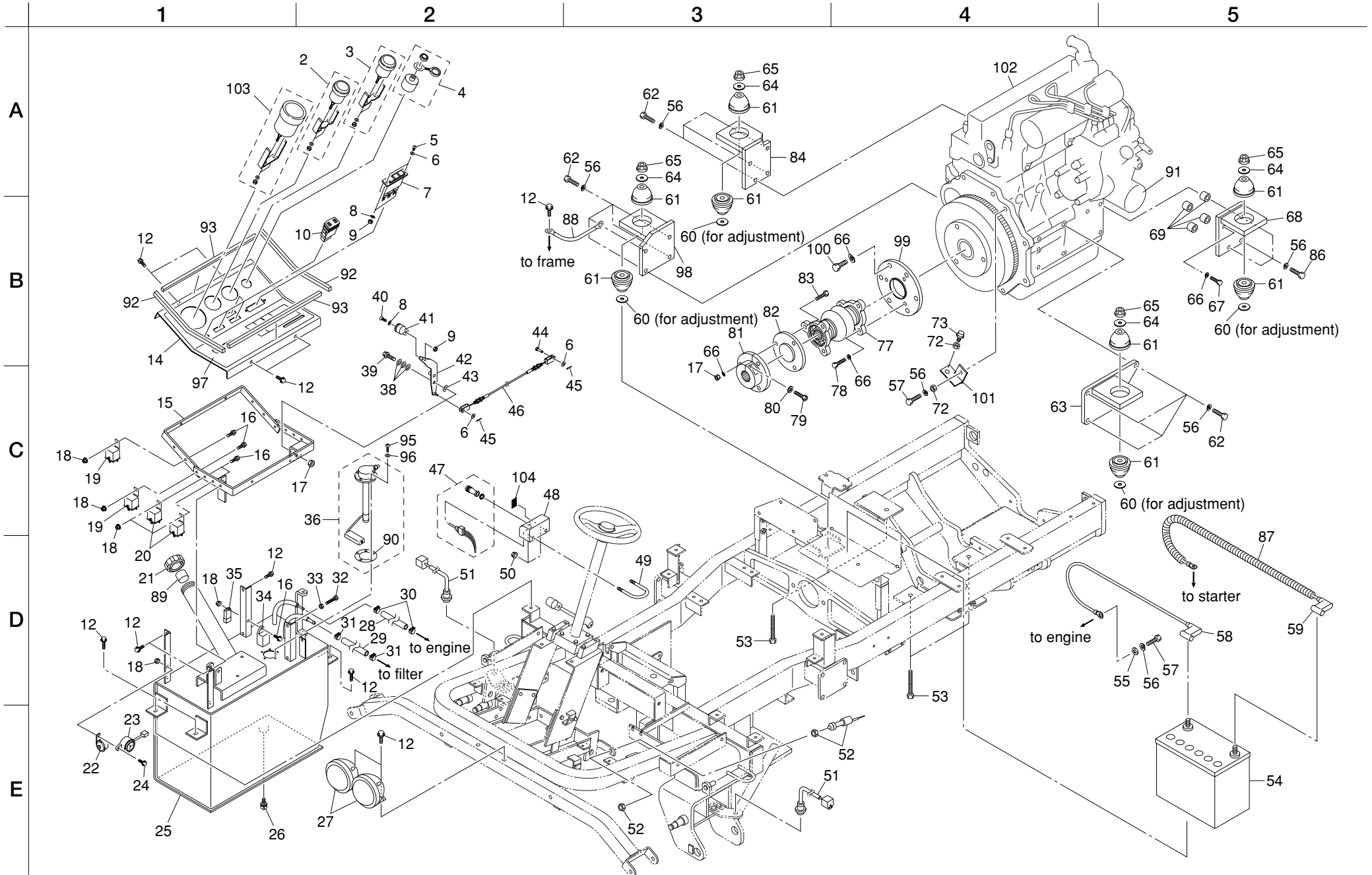
8. Engine parts A



Cat No.	Code No.	Part Name	Qty	Remark
8-71				
8-72	GM2800-0554Z0	muffler mounting plate COMP	1	
8-73	GM2800-0551Z0	shroud	1	
8-74	GM2800-0556Z0	suction hose A	1	
8-75	GM2800-0557Z0	suction hose B	1	
8-76	K4261056000	parker clamp 54-100	2	
8-77	PF14095-2253-1	air cleaner	1	
8-78	PF59800-2611-1	element	1	
8-79	GM2800-0560Z0	relay label	1	
8-80	K4205001530	rotation parts hazard label	1	
8-81	GM2800-0562Z0	drain hose 450	1	
8-82	K4261032000	parker clamp 40-64	1	

Cat No.	Code No.	Part Name	Qty	Remark

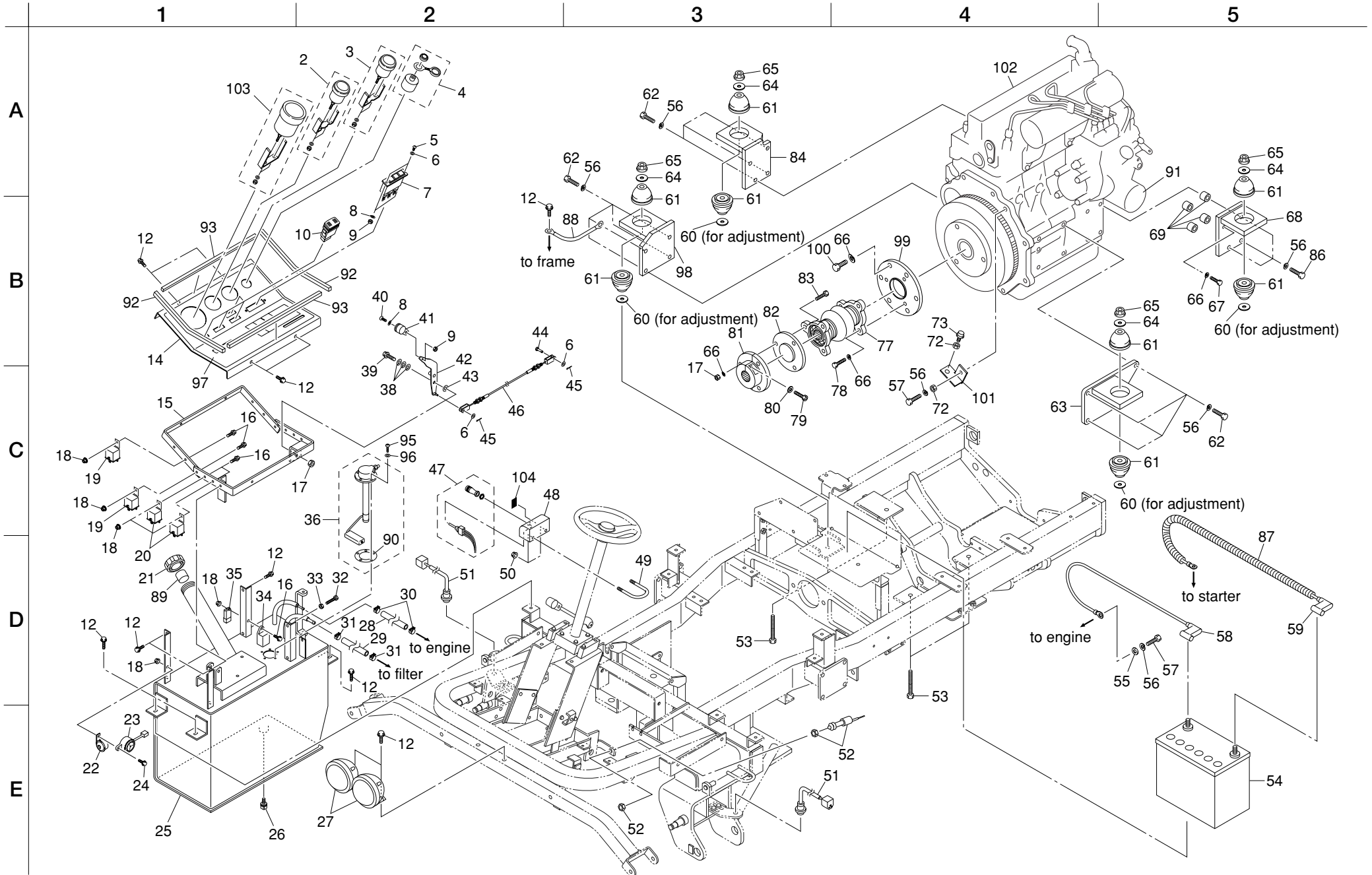
9. Engine parts B



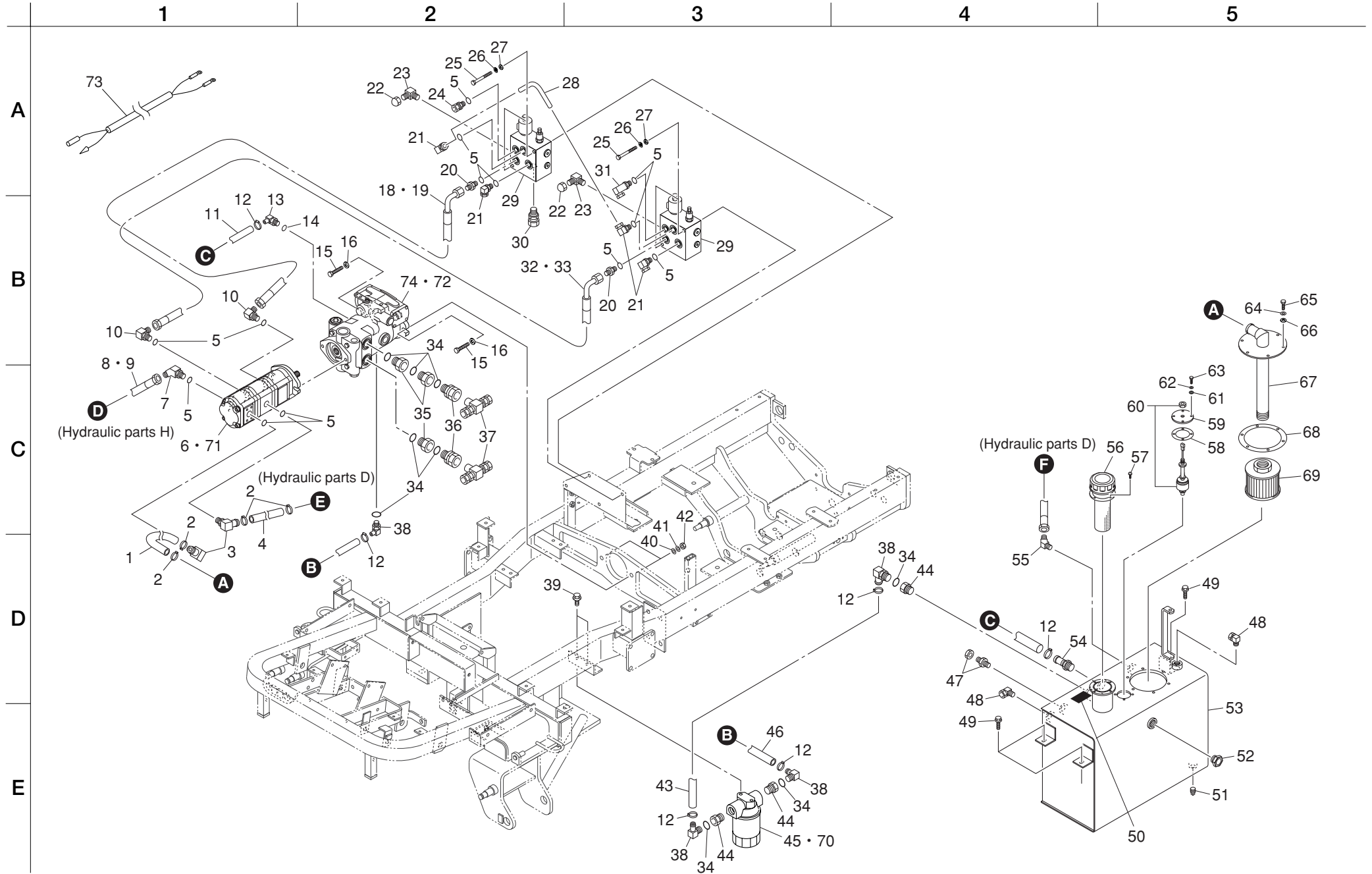
Cat No.	Code No.	Part Name	Qty	Remark
9-1				
9-2	PF19488-8303-2	water temperature gauge	1	
9-3	K3653000010	fuel gauge 52BG2	1	
9-4	PF15248-6359-2	starter switch Ass'y	1	
9-5	K0042050122	5+ round head small screw 12	2	
9-6	K5000050002	5 washer	4	
9-7	K3641000040	pilot lamp	1	
9-8	K0200050002	5S washer	3	
9-9	K0100050002	5 nut	3	
9-10	K3661000050	see-saw switch	4	
9-11				
9-12	K0021080152	8 bolt with flange 15	13	
9-13				
9-14	LM2700-0938ZD	instrument mount plate	1	
9-15	LM2700-0937ZD	instrument mount frame	1	
9-16	K0021060202	6 bolt with flange 20	5	
9-17	K0100100002	10 nut	4	
9-18	K0151060002	6 nut with flange	5	
9-19	K3681000080	power relay MR5A602A1K	2	
9-20	K3681000070	power relay MR5A411A1K	2	
9-21	K1410000070-Y	filler cap Ass' y	1	
9-22	K3700000020	buzzer U-WBS12	1	
9-23	K3700000010	buzzer type EBM-12	1	
9-24	K0021060302	6 bolt with flange 30	1	
9-25	GM2800-0701ZD-Y	fuel tank	1	
9-26	K1421060002-Y	tapered plug with square head PT3/8	1	
9-27	K3640000060	work lamp V31623A	2	
9-28	K3182019000	fuel hose FUEL4×1B1900	1	
9-29	K3180008000	fuel hose FUEL8×1B800	1	
9-30	K4260000150	hose clamp 12	2	
9-31	K4260000172	hose clamp KS-11-19	2	
9-32	K0000080402	8 bolt 40	1	
9-33	K0100080002	8 nut	1	
9-34	PF15694-6599-2	glow timer	1	
9-35	PF1K574-6022-1	relay COMP	1	

Cat No.	Code No.	Part Name	Qty	Remark
9-36	K2721000090	tank unit 180×195	1	
9-37				
9-38	K0210100001	10 conical disk spring L	3	
9-39	K0021100302	10 bolt with flange 30	1	
9-40	K0042050082	5+ round head small screw 8	1	
9-41	K1301000150	throttle lever grip	1	
9-42	LM2700-0560Z2	throttle lever	1	
9-43	K5000100002	10 washer	1	
9-44	K6030050152	5 flat-head pin 15	1	
9-45	K0300016102	1.6 split pin 10	2	
9-46	K1110168020	throttle wire 1680	1	
9-47	K3662000030	auto-return switch ET115G	1	
9-48	LM2700-0552ZD	switch BOX	1	
9-49	K0073000052	U bolt M8×40A	1	
9-50	K0151080002	8 nut with flange	2	
9-51	K3720000120	proximity sensor E2E-X5E2	2	
9-52	K3671000150	safety switch V17680A	1	
9-53	K0013121102	12 heat-treated bolt 110	4	
9-54	K3600000180	battery FX105D31R	1	
9-55	K5000120002	12 washer	1	
9-56	K0200120002	12S washer	17	
9-57	K0002120202	12 bolt 20P1.25	2	
9-58	K3611000390	battery (-) wire 850	1	
9-59	K3610000320	battery (+) wire 1400	1	
9-60	K5011613402	1.6SPCC metal washer 1340	4	for adjustment
9-61	K4042000100	engine mount	8	
9-62	K0012120352	12 heat-treated bolt 35P1.25	12	
9-63	LM2700-0504ZD	engine bracket C	1	
9-64	K5076012402	6SPHC metal washer 1240	4	
9-65	K0151120002	12 nut with flange	4	
9-66	K0200100002	10S washer	13	
9-67	K0011100502	10 heat-treated bolt 50P1.25	1	
9-68	GM2800-0525ZD	engine bracket D	1	
9-69	K6212000542	12.8STKM collar 2220	4	
9-70				

9. Engine parts B



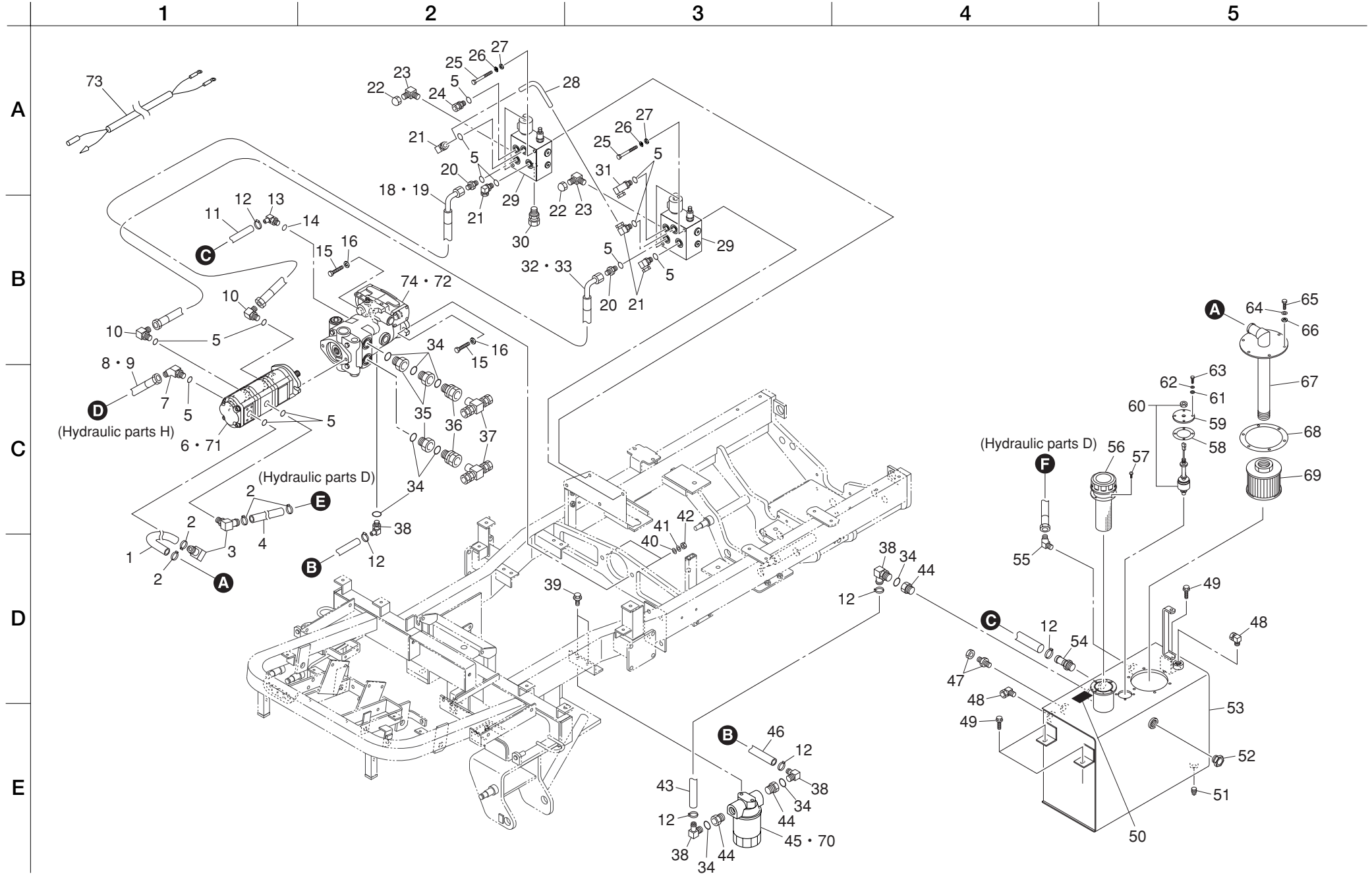
10. Hydraulic parts A



Cat No.	Code No.	Part Name	Qty	Remark
10-1	GM2800-0843Z0	38 suction hose 550	1	
10-2	K4260000200	jubilee band 2A	4	
10-3	K3008000212-Y	elbow nipple FPD2576	2	
10-4	GM2800-0844Z0	38 suction hose 420	1	
10-5	K0881018000	O-ring P18B	13	
10-6	K3252000060	gear pump PBBB442RK157	1	
10-7	K3008000412-Y	45 different diameter elbow PF3/8 PF1/2	1	
10-8	K3103311300	WP140-9 hose 1-1300	1	
10-9	K3191012000	SP-15 coil tube 1200	1	
10-10	K3008000042-Y	90 adjuster elbow 1086-12	2	
10-11	GM2800-0846Z0	25 suction hose 750	1	
10-12	K4260000190	jubilee band 1	6	
10-13	K3008000302-Y	adjuster elbow FPD21941	1	
10-14	K0887009120	O-ring AS568-912	1	
10-15	K0013120552	12 heat-treated bolt 55	2	
10-16	K5073212302	3.2SPHC metal washer 1230	2	
10-17				
10-18	K3105430540	WP210-12 hose 3-540	1	
10-19	K3191004400	SP-15 coil tube 440	1	
10-20	K3009000092-Y	special adaptor PF1/2 PF1/2	2	
10-21	K3026416081-Y	elbow nipple KLO16-040E	4	
10-22	K3008000482-Y	screw cap female PF1/4	2	
10-23	K3008000442-Y	90 adjuster elbow 1086-6	2	
10-24	K3026316081-Y	connector KCO16-040E	1	
10-25	K0003101002	10 bolt 100	4	
10-26	K0200100002	10S washer	4	
10-27	K5000100002	10 washer	4	
10-28	GM2800-0815Z2-Y	pipe G	1	
10-29	K3313000370	solenoid valve V5341 COMP	2	
10-30	K3026325121-Y	connector KCO25-060E	1	
10-31	K3028416081-Y	long elbow nipple KLG16-040E	1	
10-32	K3105430410	WP210-12 hose 3-410	1	
10-33	K3191003100	SP-15 coil tube 310	1	
10-34	K0887009160	O-ring AS568-916	9	
10-35	K3008000632-Y	O-ring connector 4043-1 5/16-O	3	

Cat No.	Code No.	Part Name	Qty	Remark
10-36	K3008000622-Y	O-ring connector 1202-25-1 5/16	2	
10-37	K3027025001-Y	tee KTB25-000E	2	
10-38	K3008000312-Y	adjustable elbow FPD21939	4	
10-39	K0021100202	10 bolt with flange 20	2	
10-40	K5000120002	12 washer	2	
10-41	K0200120002	12S washer	2	
10-42	K0100120002	12 nut	2	
10-43	LM2700-0868Z0	25 suction hose 210	1	
10-44	K3008000642-Y	O-ring connector 4400-25-16	3	
10-45	K3410000020	cartridge filter CF-08-10U	1	
10-46	GM2800-0845Z0	25 suction hose 240	1	
10-47	K3026610081-Y	connector KCT10-040E	1	
10-48	K3028010081-Y	elbow KLN10-040E	2	
10-49	K0021080152	8 bolt with flange 15	3	
10-50	K4209000980	hydraulic oil mark	1	
10-51	K1421060002-Y	tapered plug with square head PT3/8	1	
10-52	K1400000044-Y	PF3/4 oil quantity plug type M	1	
10-53	GM2800-0840ZD-Y	hydraulic tank	1	
10-54	K3009000132-Y	special adaptor MO-JS-25	1	
10-55	K3003120002-Y	45 elbow 1035-12	1	
10-56	K3400000030	refueling hole breather FAB-50	1	
10-57	K0044050102	5+ round head small screw 10SW	4	
10-58	K4011000330	0.8 oil seat 4575	1	
10-59	LM526--0809Z2-Y	oil level sensor mount plate	1	
10-60	K3720000130	level switch	1	
10-61	K5000060002	6 washer	4	
10-62	K0200060002	6S washer	4	
10-63	K0000060202	6 bolt 20	4	
10-64	K0200080002	8S washer	6	
10-65	K0000080202	8 bolt 20	6	
10-66	K5000080002	8 washer	6	
10-67	LM2700-0802Z2-Y	suction hose attachment	1	
10-68	LM535E-0434Z0	suction port packing	1	
10-69	K3413000040	suction filter SFT-10-150W	1	
10-70	K3410000030	filter for the substitute F-913-1	1	

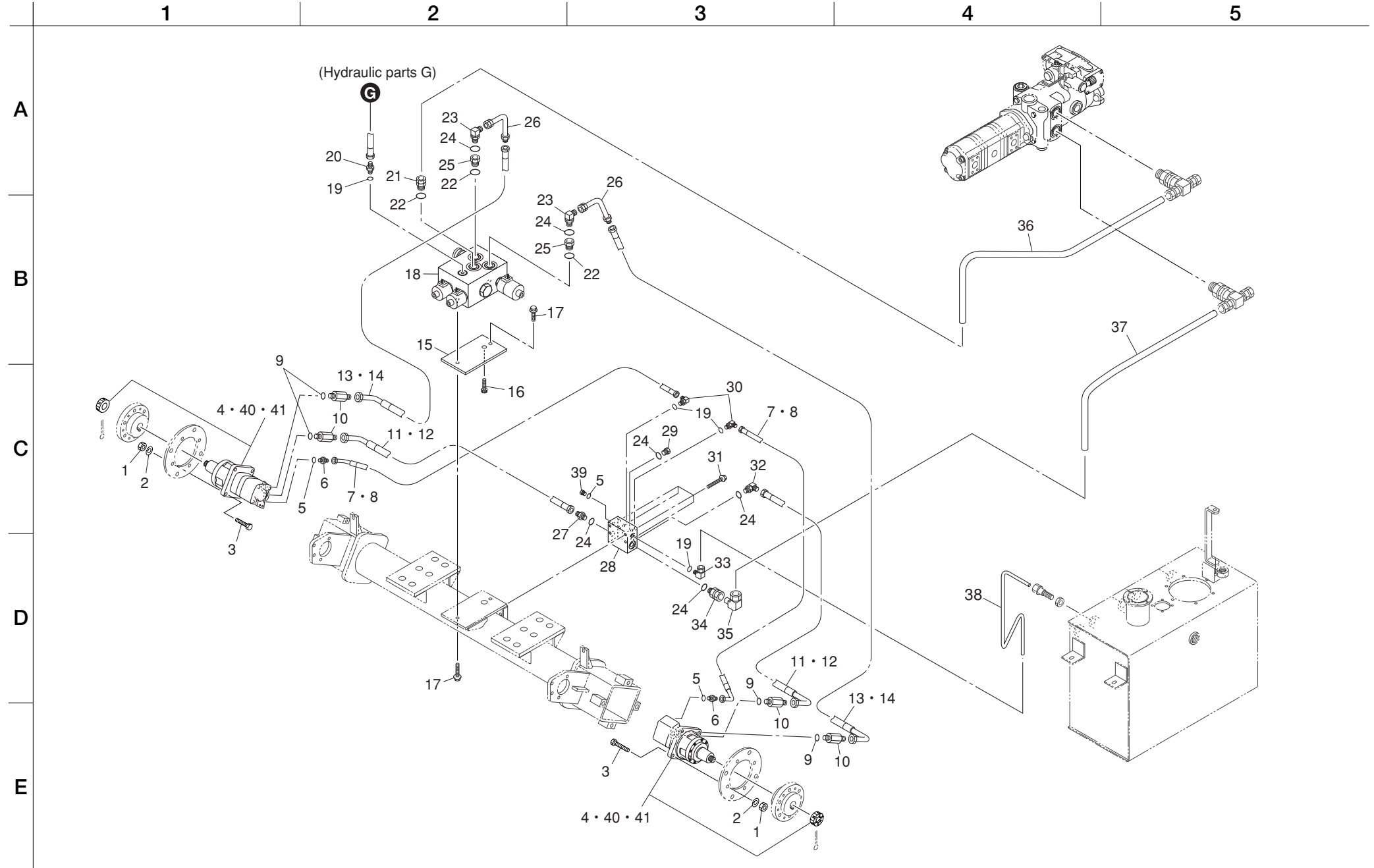
10. Hydraulic parts A



Cat No.	Code No.	Part Name	Qty	Remark
10-71	YCG0093A	gear pump seal kit	1	
10-72	Y72400-908	piston pump 72400 seal kit	1	
10-73	GM2800-9503Z0	lockout switch wire	1	
10-74	K3244000040	piston pump 72400	1	

Cat No.	Code No.	Part Name	Qty	Remark

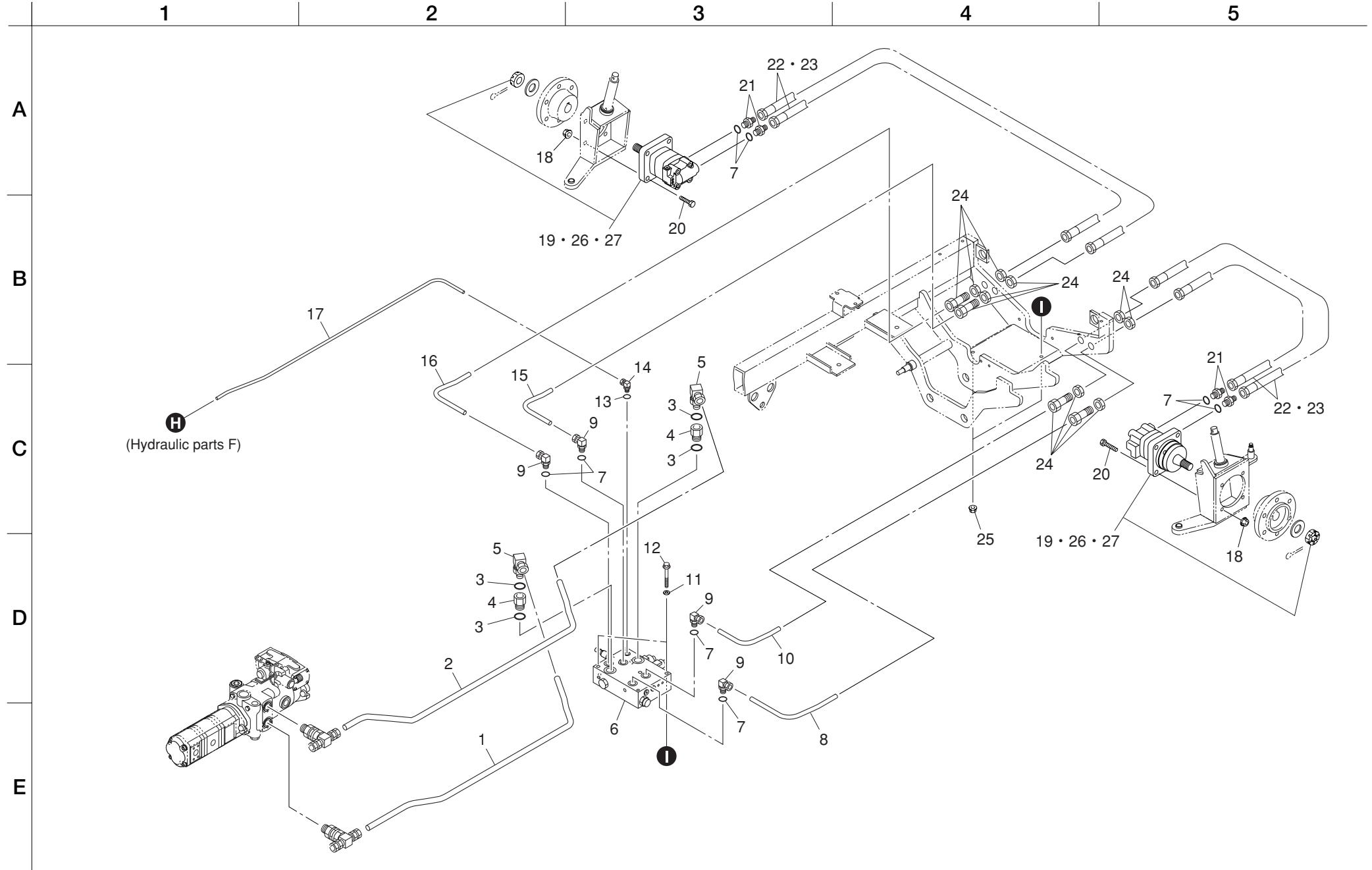
11. Hydraulic parts B



Cat No.	Code No.	Part Name	Qty	Remark
11-1	K0100140002	14 nut	8	
11-2	K0200140002	14S washer	8	
11-3	K0013140502	14 heat-treated bolt 50	8	
11-4	K3291000200	wheel motor 490BBAS	2	
11-5	K0887009040	O-ring AS568-904	3	
11-6	K3008000342-Y	O-ring connector 1096-6	2	
11-7	K3101220700	WP70-6 hose 2-700	2	
11-8	K3190006000	SP-12 coil tube 600	2	
11-9	K0887009120	O-ring AS568-912	4	
11-10	K3008000382-Y	O-ring connector 1	4	
11-11	K3106430600	WP245-12 hose 3-600	2	
11-12	K3191005000	SP-15 coil tube 500	2	
11-13	K3106430700	WP245-12 hose 3-700	2	
11-14	K3191006000	SP-15 coil tube 600	2	
11-15	LM2700-0831ZD	differential lock valve mount plate	1	
11-16	K0024100151	10 bolt with hex. hole 15	1	
11-17	K0021100302	10 bolt with flange 30	2	
11-18	K3313000300	solenoid valve V4200 COMP	1	
11-19	K0881011000	O-ring P11B	4	
11-20	K3009000202-Y	special adaptor PF1/4PF3/8	1	
11-21	K3026325121-Y	connector KCO25-060E	1	
11-22	K0881024000	O-ring P24B	3	
11-23	K3008000042-Y	90 adjuster elbow 1086-12	2	
11-24	K0881018000	O-ring P18B	6	
11-25	K3029000312-Y	special bushing PF1/2PF3/4	2	
11-26	K3025064082-Y	pipe adaptor 064-08	2	
11-27	K3009000092-Y	special adaptor PF1/2PF1/2	1	
11-28	LM2700-0821Z2-Y	manifold	1	
11-29	K1420000232-Y	O-ring plug 215-PF1/2	1	
11-30	K3008000442-Y	90 adjuster elbow 1086-6	2	
11-31	K0021080702	8 bolt with flange 70	4	
11-32	K3008000042-Y	90 adjuster elbow 1086-12	1	
11-33	K3026410041-Y	elbow nipple KLO10-020E	1	
11-34	K3026325121-Y	connector KCO25-060E	1	
11-35	K3027125001-Y	elbow KLC25-000E	1	

Cat No.	Code No.	Part Name	Qty	Remark
11-36	GM2800-0817Z2-Y	pipe I	1	
11-37	GM2800-0819Z2-Y	pipe K	1	
11-38	GM2800-0820Z2-Y	pipe L	1	
11-39	K1420000222-Y	O-ring plug 215-PF1/4	1	
11-40	Y61234S	wheel motor seal kit (for shaft)	2	
11-41	YAE0325A	wheel motor seal kit (for rear)	2	

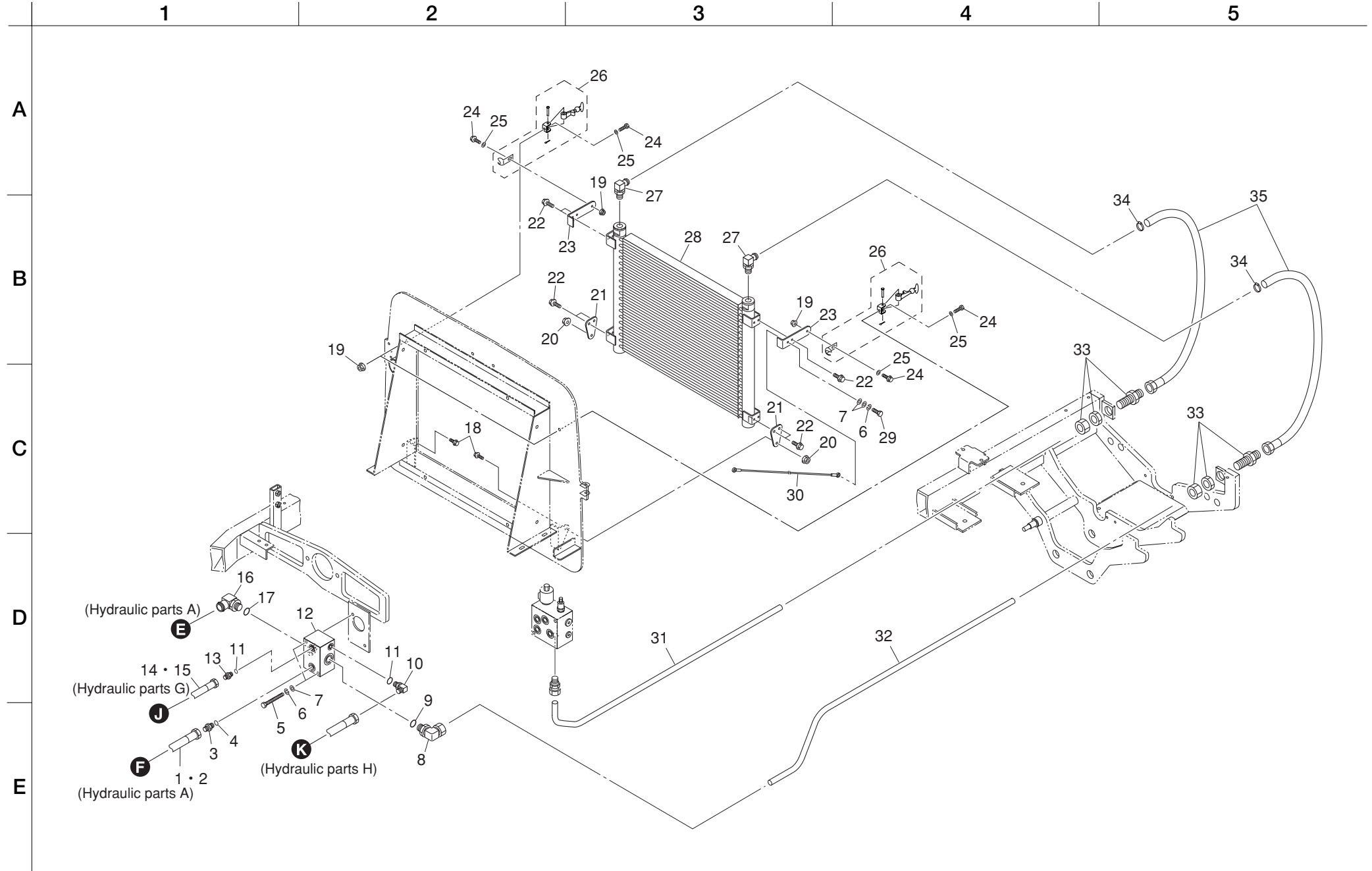
12. Hydraulic parts C



Cat No.	Code No.	Part Name	Qty	Remark
12-1	GM2800-0816Z2-Y	pipe H	1	
12-2	GM2800-0818Z2-Y	pipe J	1	
12-3	K0881024000	O-ring P24B	4	
12-4	K3008000662-Y	O-ring connector 1110-19-19	2	
12-5	K3026425121-Y	elbow KLO25-060E	2	
12-6	K3313000290	solenoid valve V4205 COMP	1	
12-7	K0881018000	O-ring P18B	8	
12-8	GM2800-0810Z2-Y	pipe B	1	
12-9	K3026416081-Y	elbow nipple KLO16-040E	4	
12-10	GM2800-0812Z2-Y	pipe D	1	
12-11	K5000100002	10 washer	2	
12-12	K0003100902	10 bolt 90	2	
12-13	K0881011000	O-ring P11B	1	
12-14	K3028410081-Y	elbow KLG10-020E	1	
12-15	GM2800-0811Z2-Y	pipe C	1	
12-16	GM2800-0809Z2-Y	pipe A	1	
12-17	GM2800-0824Z2-Y	pipe P	1	
12-18	K0151120002	12 nut with flange	8	
12-19	K3291000190	wheel motor 2-200BS4S	2	
12-20	K0000120452	12 bolt 45	8	
12-21	K3009000092-Y	special adaptor PF1/2PF1/2	4	
12-22	K3105410800	WP210-12 hose 1-800	4	
12-23	K3191007000	SP-15 coil tube 700	4	
12-24	K3026916081-Y	bulkhead union KUE16-040E	4	
12-25	K0151100002	10 nut with flange	2	
12-26	Y61091S	2000 orbit motor seal kit (for shaft)	2	
12-27	Y61090S	2000 orbit motor seal kit (for rear)	2	

Cat No.	Code No.	Part Name	Qty	Remark

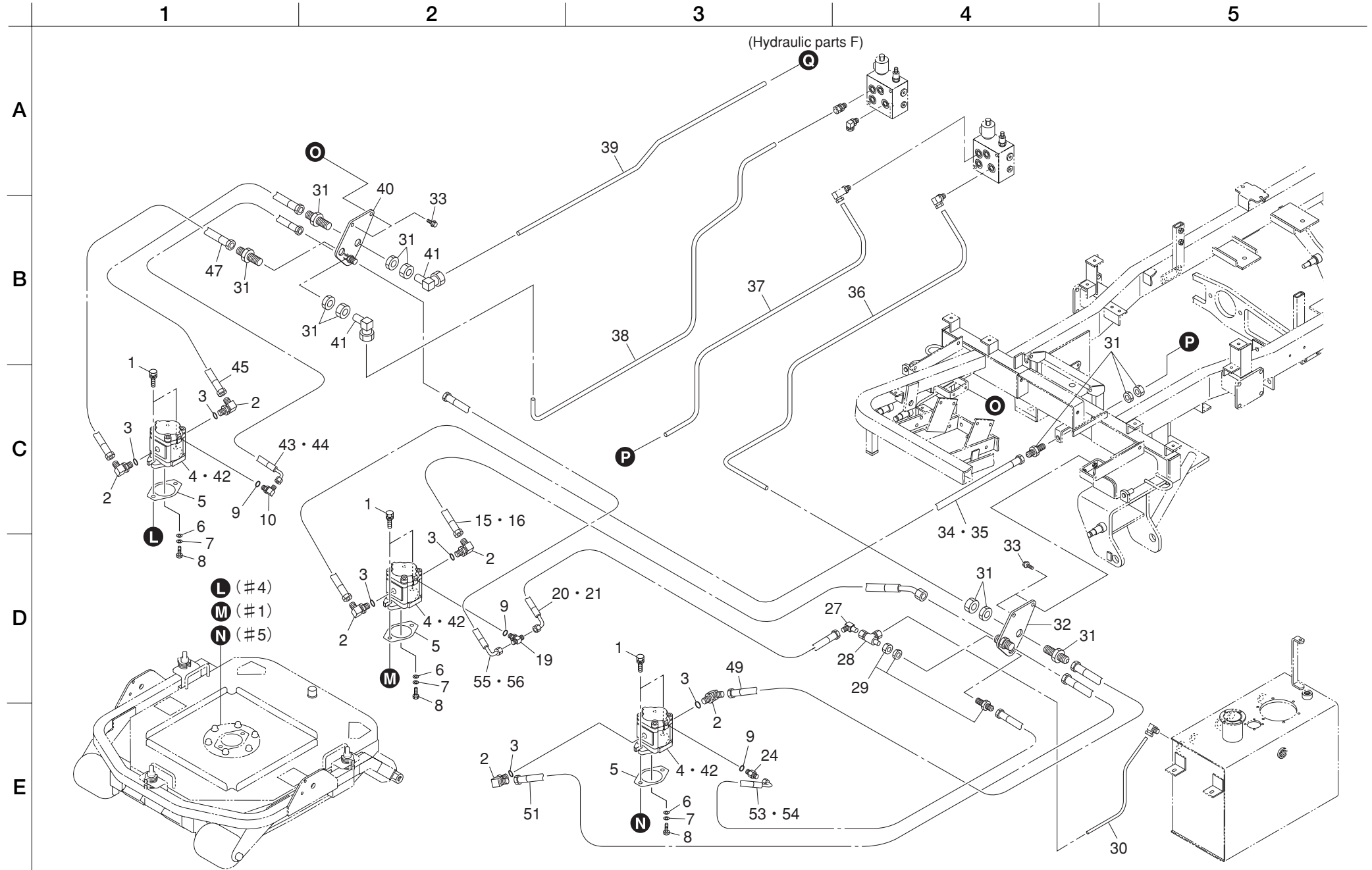
13. Hydraulic parts D



Cat No.	Code No.	Part Name	Qty	Remark
13-1	K3101420550	WP70-12 hose 2-550	1	
13-2	K3191004500	SP-15 coil tube 450	1	
13-3	K3009000092-Y	special adaptor PF1/2PF1/2	1	
13-4	K0881018000	O-ring P18B	1	
13-5	K0003080902	8 bolt 90	2	
13-6	K0200080002	8S washer	3	
13-7	K5000080002	8 washer	4	
13-8	K3026425161-Y	elbow nipple KLO25-080E	1	
13-9	K0881029000	O-ring P29B	1	
13-10	K3008000032-Y	90 adjuster elbow 1086-9	1	
13-11	K0881014000	O-ring P14B	2	
13-12	K3321000040	valve V5267	1	
13-13	K3009000142-Y	special adaptor PF3/8PF3/8	1	
13-14	K3101330700	WP70-9 hose 3-700	1	
13-15	K3191006000	SP-15 coil tube 600	1	
13-16	K3008000212-Y	elbow nipple FPD2576	1	
13-17	K0887009200	O-ring AS568-920	1	
13-18	K0000100202	10 bolt 20	2	
13-19	K0151060002	6 nut with flange	4	
13-20	K0151100002	10 nut with flange	2	
13-21	GM2800-0806ZD	support plate	2	
13-22	K0021080152	8 bolt with flange 15	7	
13-23	GM2800-0807ZD	fixing plate	2	
13-24	K0000060152	6 bolt 15	4	
13-25	K5000060002	6 washer	4	
13-26	K1520000030	rubber catch Ass'y	2	
13-27	K3008000602-Y	male 90° hose connector 16-3/4	2	
13-28	GM2800-0801Z0	oil cooler	1	
13-29	K0000080302	8 bolt 30	1	
13-30	K1170057000	cable 570	1	
13-31	GM2800-0848Z2-Y	pipe E	1	
13-32	GM2800-0814Z2-Y	pipe F	1	
13-33	K3026925161-Y	bulkhead union KUE25-080E	2	
13-34	K4260000190	jubilee band 1	2	
13-35	GM2800-0847Z0	bypass hose	2	

Cat No.	Code No.	Part Name	Qty	Remark

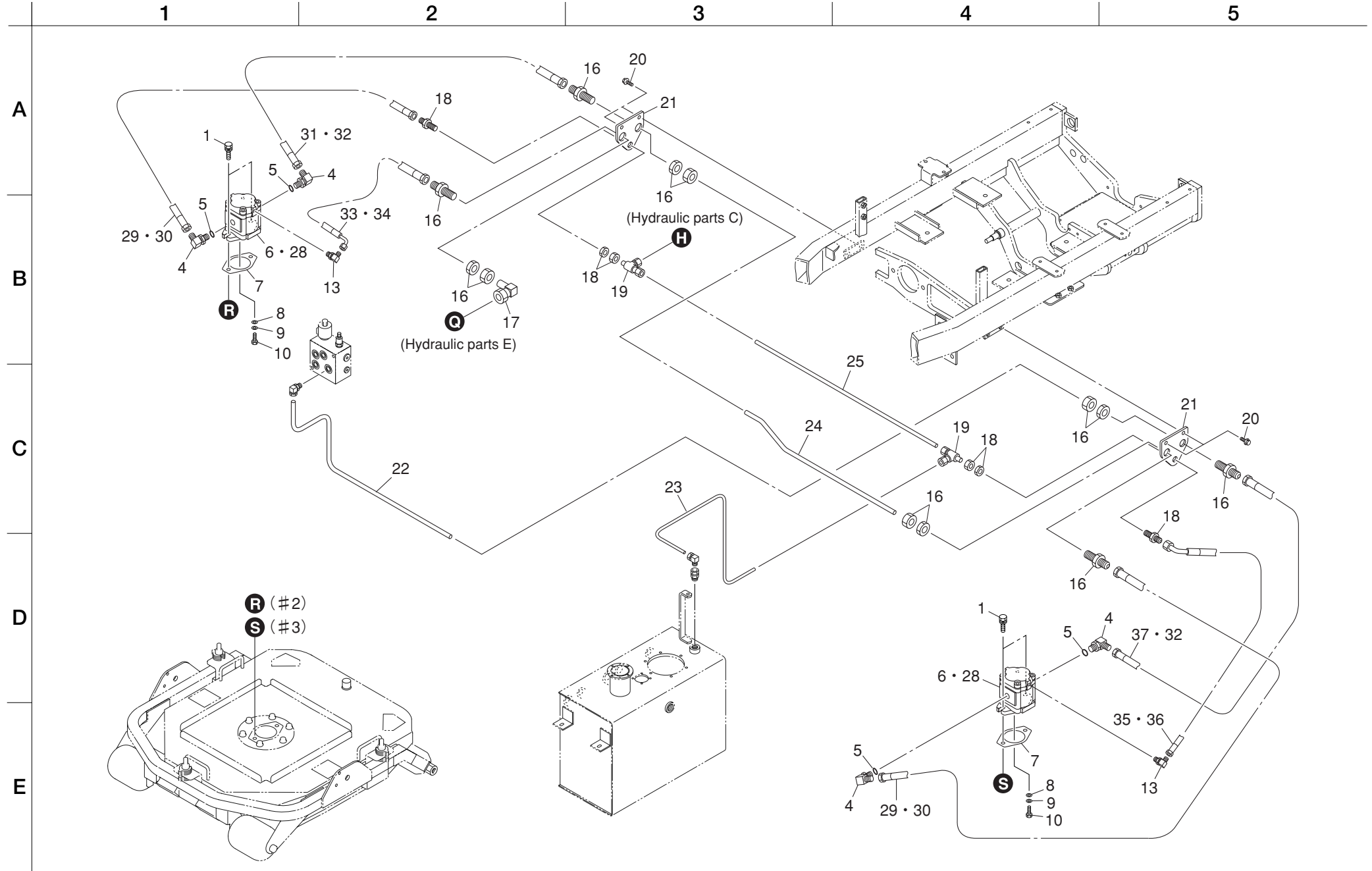
14. Hydraulic parts E



Cat No.	Code No.	Part Name	Qty	Remark
14-1	K0007100252	10 bolt 25SW	6	
14-2	K3008000042-Y	90 adjuster elbow 1086-12	6	
14-3	K0881018000	O-ring P18B	6	
14-4	K3280000280	gear motor MB5LK381	3	
14-5	K4011000290	packing	3	
14-6	K5012306162	2.3SPCC metal washer 616	3	
14-7	K0200060002	6S washer	3	
14-8	K0000060122	6 bolt 12	3	
14-9	K0881011000	O-ring P11B	3	
14-10	K3008000442-Y	90 adjuster elbow 1086-6	1	
14-11				
14-12				
14-13				
14-14				
14-15	K3103420900	WP140-12 hose 2-900	1	
14-16	K3191008000	SP-15 coil tube 800	1	
14-17				
14-18				
14-19	K3008000672-Y	O-ring hose stay 1087-6	1	
14-20	K3101230800	WP70-6 hose 3-800	1	
14-21	K3190007000	SP-12 coil tube 700	1	
14-22				
14-23				
14-24	K3008000232-Y	O-ring connector PF1/4PF1/4	1	
14-25				
14-26				
14-27	K3028510041-Y	hose connection elbow HLD10-020E	1	
14-28	K3027210001-Y	tee KTC10-000E	1	
14-29	K3026910041-Y	bulkhead union KUE10-020E	1	
14-30	GM2800-0826Z2-Y	pipe R	1	
14-31	K3026916081-Y	bulkhead union KUE16-040E	4	
14-32	GM2800-0830Z2-Y	fitting mounting plate A	1	
14-33	K0021080202	8 bolt with flange 20	4	
14-34	K3103411150	WP210-12 hose 1-1150	1	
14-35	K3191010500	SP-15 coil tube 1050	1	

Cat No.	Code No.	Part Name	Qty	Remark
14-36	GM2800-0828Z2-Y	pipe T	1	
14-37	GM2800-0827Z2-Y	pipe S	1	
14-38	GM2800-0832Z2-Y	pipe V	1	
14-39	GM2800-0841Z2-Y	pipe W	1	
14-40	GM2800-0833Z2-Y	fitting mounting plate C	1	
14-41	K3027116001-Y	elbow KLC16-000E	2	
14-42	YCG0047A	gear motor seal kit	3	
14-43	K3101231650	WP70-6 hose 3-1650	1	
14-44	K3190015500	SP-12 coil tube 1550	1	
14-45	GM2800-0855Z0	WP140-12 hose 1-1550	1	
14-46				
14-47	GM2800-0857Z0	WP210-12 hose 1-1650	1	
14-48				
14-49	GM2800-0854Z0	WP210-12 hose 1500	1	
14-50				
14-51	GM2800-0856Z0	WP140-12 hose 1-1600	1	
14-52				
14-53	K3101221550	WP70-6 hose 2-1550	1	
14-54	K3190014500	SP-12 coil tube 1450	1	
14-55	K3101231150	WP70-6 hose 3-1150	1	
14-56	K3190010500	SP-12 coil tube 1050	1	

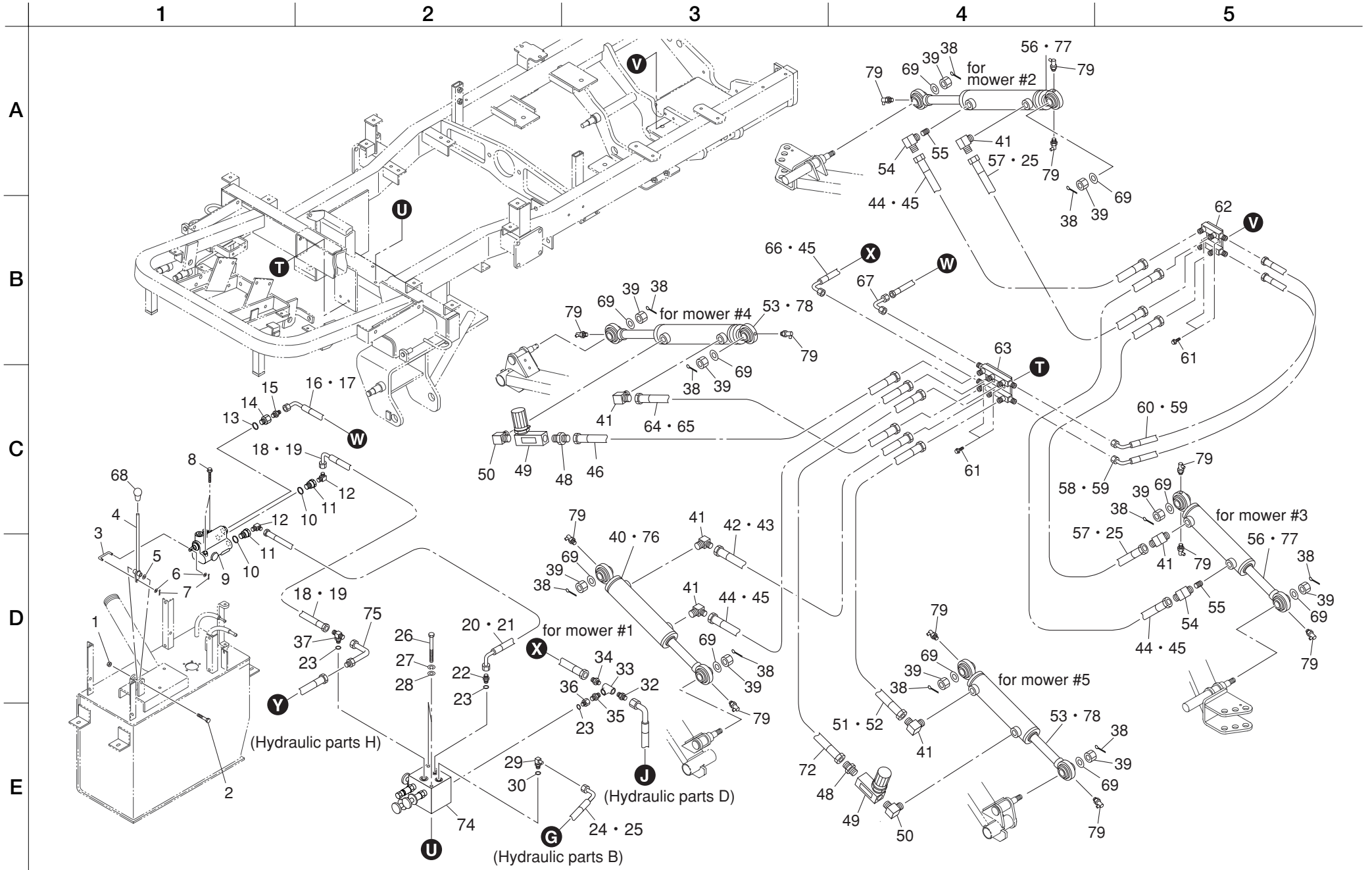
15. Hydraulic parts F



Cat No.	Code No.	Part Name	Qty	Remark
15-1	K0007100252	10 bolt 25SW	4	
15-2				
15-3				
15-4	K3008000042-Y	90 adjuster elbow 1086-12	4	
15-5	K0881018000	O-ring P18B	4	
15-6	K3280000280	gear motor MB5LK381	2	
15-7	K4011000290	packing	2	
15-8	K5012306162	2.3SPCC metal washer 616	2	
15-9	K0200060002	6S washer	2	
15-10	K0000060122	6 bolt 12	2	
15-11				
15-12				
15-13	K3008000442-Y	90 adjuster elbow 1086-6	2	
15-14				
15-15				
15-16	K3026916081-Y	bulkhead union KUE16-040E	4	
15-17	K3027116001-Y	elbow KLC16-000E	1	
15-18	K3026910041-Y	bulkhead union KUE10-020E	2	
15-19	K3027210001-Y	tee KTC-000E	2	
15-20	K0021080202	8 bolt with flange 20	4	
15-21	GM2800-0831ZD	fitting mounting plate B	2	
15-22	GM2800-0829Z2-Y	pipe U	1	
15-23	GM2800-0822Z2-Y	pipe N	1	
15-24	GM2800-0823Z2-Y	pipe O	1	
15-25	GM2800-0821Z2-Y	pipe M	1	
15-26				
15-27				
15-28	YCG0047A	gear motor seal kit	2	
15-29	K3103411050	WP140-12 hose 1-1050	2	
15-30	K3191009500	SP-15 coil tube 950	2	
15-31	K3103411000	WP140-12 hose 1-1000	1	
15-32	K3191009000	SP-15 coil tube 900	2	
15-33	K3101231000	WP70-6 hose 3-1000	1	
15-34	K3190009000	SP-12 coil tube 900	1	
15-35	K3101220900	WP70-6 hose 2-900	1	

Cat No.	Code No.	Part Name	Qty	Remark
15-36	K3190008000	SP-12 coil tube 800	1	
15-37	K3105411000	WP210-12 hose 1-1000	1	

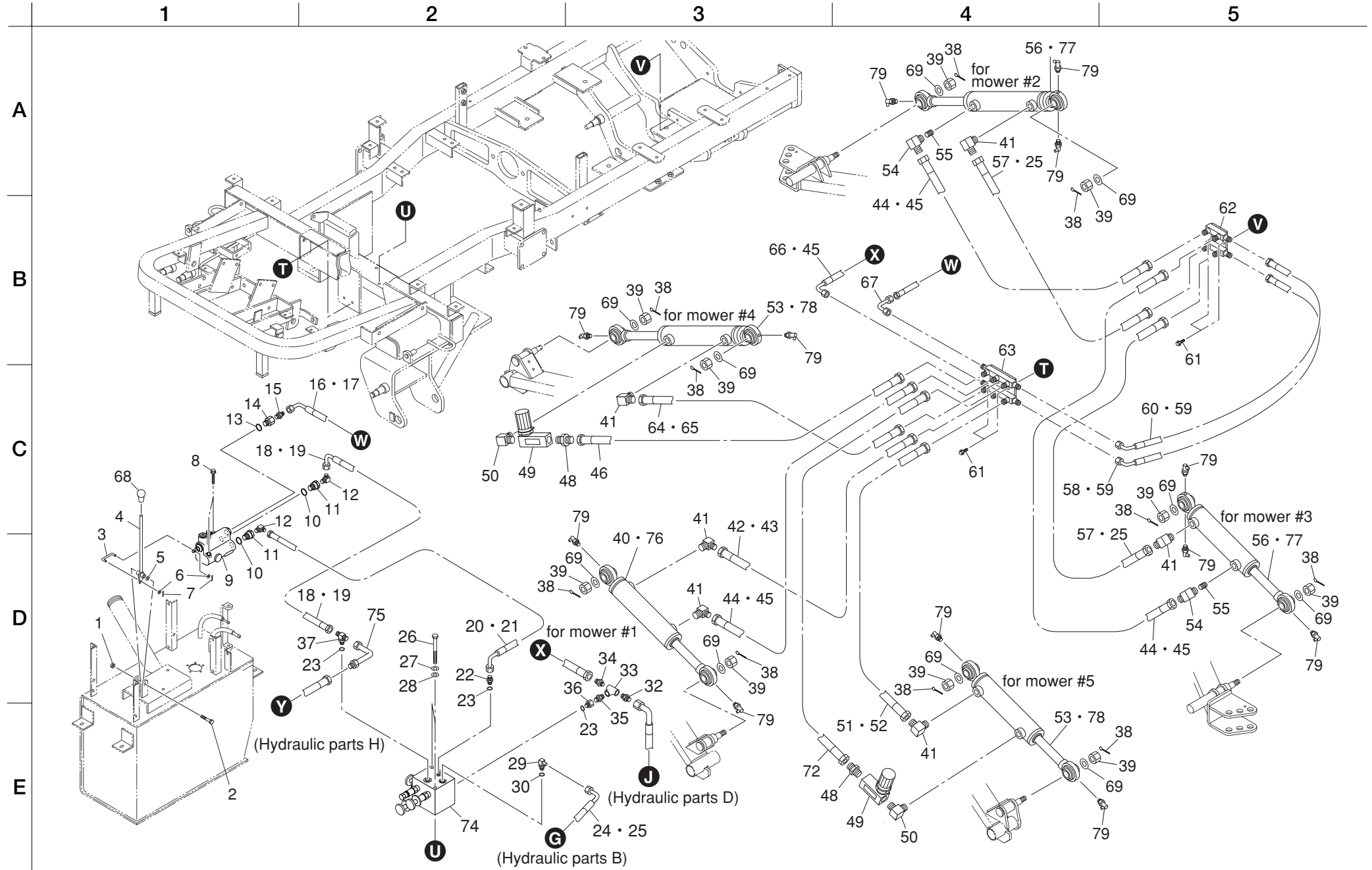
16. Hydraulic parts G



Cat No.	Code No.	Part Name	Qty	Remark
16-1	K0144080002	8U nut	1	
16-2	K0003080502	8 bolt 50	1	
16-3	GM2800-0805Z2	rod	1	
16-4	GM2800-0804Z2	raise/lower lever	1	
16-5	K5000080002	8 washer	1	
16-6	K5000050002	5 washer	2	
16-7	K0300016102	1.6 split pin 10	2	
16-8	K0021060402	6 bolt with flange 40	2	
16-9	K3321000030	control valve	1	
16-10	K0887009080	O-ring AS568-908	2	
16-11	K3008000692-Y	O-ring connector 4043-8-8	2	
16-12	K3006000022-Y	different diameter elbow PT1/2PF3/8	2	
16-13	K0887009060	O-ring AS568-906	1	
16-14	K3008000242-Y	9/16-18UNFPT3/8	1	
16-15	K3007000062-Y	different diameter adaptor PT3/8PF1/4	1	
16-16	K3103230700	WP140-6 hose 3-700	1	
16-17	K3190006000	SP-12 coil tube 600	1	
16-18	K3103330600	WP140-9 hose 3-600	1	
16-19	K3191005000	SP-15 coil tube 500	1	
16-20	K3103330400	WP140-9 hose 3-400	1	
16-21	K3191003000	SP-15 coil tube 300	1	
16-22	K3009000142-Y	special adaptor PF3/8PF3/8	1	
16-23	K0881014000	O-ring P14B	3	
16-24	K3106230400	WP245-6 hose 3-400	1	
16-25	K3190003000	SP-12 coil tube 300	3	
16-26	K0003101202	10 bolt 120	2	
16-27	K0200100002	10S washer	2	
16-28	K5000100002	10 washer	2	
16-29	K3008000442-Y	90 adjuster elbow 1086-6	1	
16-30	K0881011000	O-ring P11B	1	
16-31				
16-32	K3000090002-Y	adaptor 1013-9	1	
16-33	K3024000042-Y	cast-iron screwed type tee PT3/8	1	
16-34	K3009000042-Y	special adaptor PF1/4PT3/8	1	
16-35	K3023060001-Y	nipple NSPT3/8	1	

Cat No.	Code No.	Part Name	Qty	Remark
16-36	K3029000072-Y	special bushing PF3/8PT3/8	1	
16-37	K3008000682-Y	O-ring boss stay 1087-9	1	
16-38	K0300032402	3.2 split pin 40	10	
16-39	K0122160002	16 slotted high nut P1.5	10	
16-40	K3212000470	40-138 cylinder 359	1	
16-41	K3001060002-Y	90 elbow 1033-6	6	
16-42	K3101210600	WP70-6 hose 1-600	1	
16-43				
16-44	K3103210500	WP140-6 hose 1-500	3	
16-45	K3190004000	SP-12 coil tube 400	4	
16-46	GM2800-0860Z0	WP140-6 hose 1-1000	1	
16-47				
16-48	K3000060002-Y	adaptor 1013-6	2	
16-49	K3332000050	slow return valve HF02172	2	
16-50	K3006000042-Y	same diameter elbow PT1/4	2	
16-51	K3101210750	WP70-6 hose 1-750	1	
16-52	K3190006500	SP-12 coil tube 650	1	
16-53	K3212000490	45-195 cylinder 397	2	
16-54	K3029000252-Y	90 elbow 1033-6M6	2	
16-55	K0023000011	6 hollow set screw 6-1	2	
16-56	K3212000480	45-110 cylinder 270	2	
16-57	K3101210400	WP70-6 hose 1-400	2	
16-58	K3101222000	WP70-6 hose 2-2000	1	
16-59	K3190019000	SP-12 coil tube 1900	2	
16-60	K3103222000	WP140-6 hose 2-2000	1	
16-61	K0021080202	8 bolt with flange 20	4	
16-62	GM2800-0803Z2-Y	manifold	1	
16-63	GM2800-0802Z2-Y	manifold	1	
16-64	K3101210850	WP70-6 hose 1-850	1	
16-65	K3190007500	SP-12 coil tube 750	1	
16-66	K3101230500	WP70-6 hose 3-500	1	
16-67	K3025069042-Y	pipe adaptor 069-04	1	
16-68	K1300000040	9 grip black 35.5	1	
16-69	K0215160001	16 metal washer with conical disk spring 2H	10	
16-70				

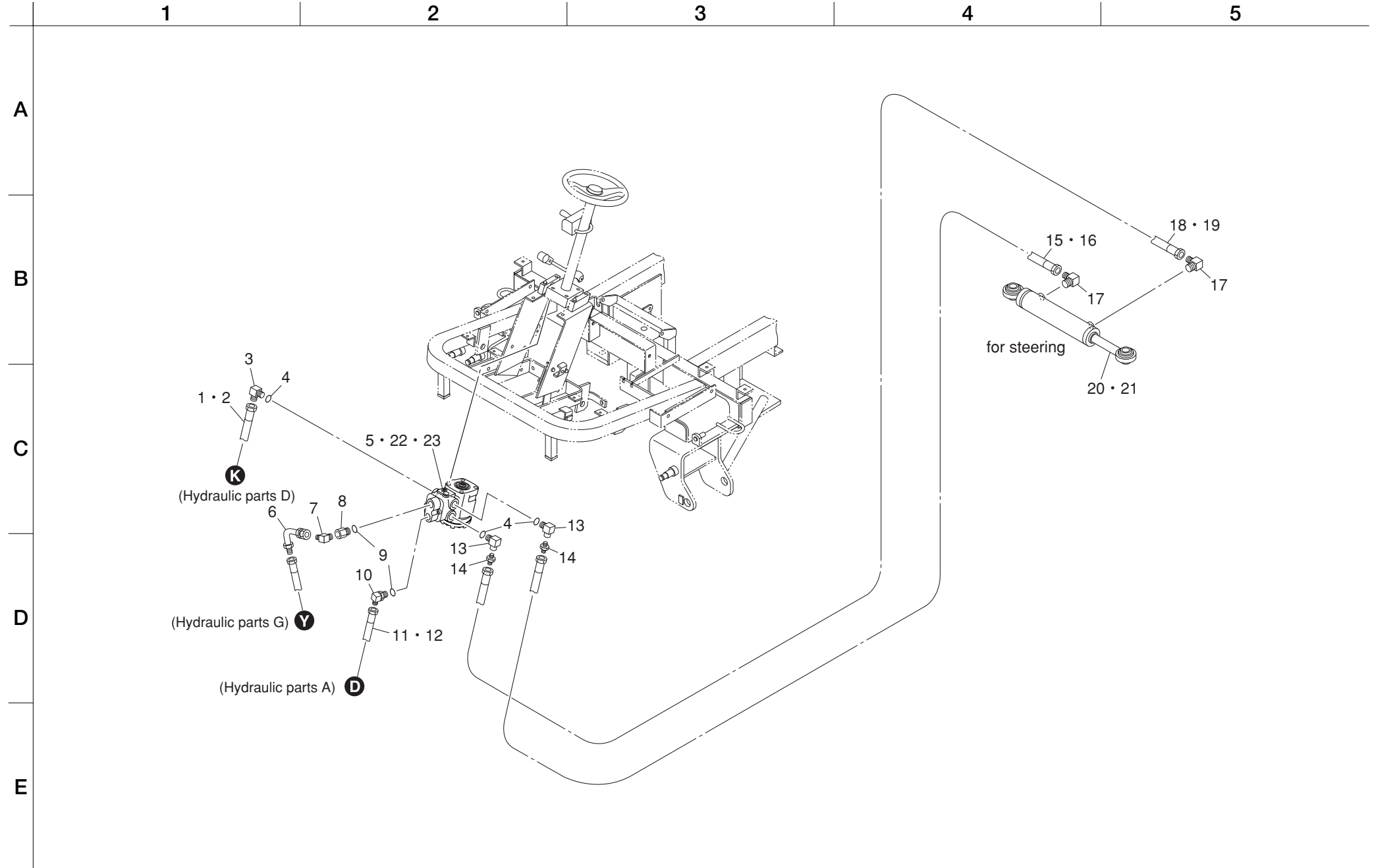
16. Hydraulic parts G



Cat No.	Code No.	Part Name	Qty	Remark
16-71				
16-72	GM2800-0861Z0	WP140-6 hose 1-940	1	
16-73				
16-74	K3313000330	solenoid valve V5317 COMP	1	
16-75	K3025069082	pipe adaptor 069-08	1	
16-76	Y80209-00301	cylinder seal kit	1	
16-77	Y80209-61301	cylinder seal kit	2	
16-78	Y80209-75201	cylinder seal kit	2	
16-79	K1440000020	C-shaped grease nipple	12	

Cat No.	Code No.	Part Name	Qty	Remark

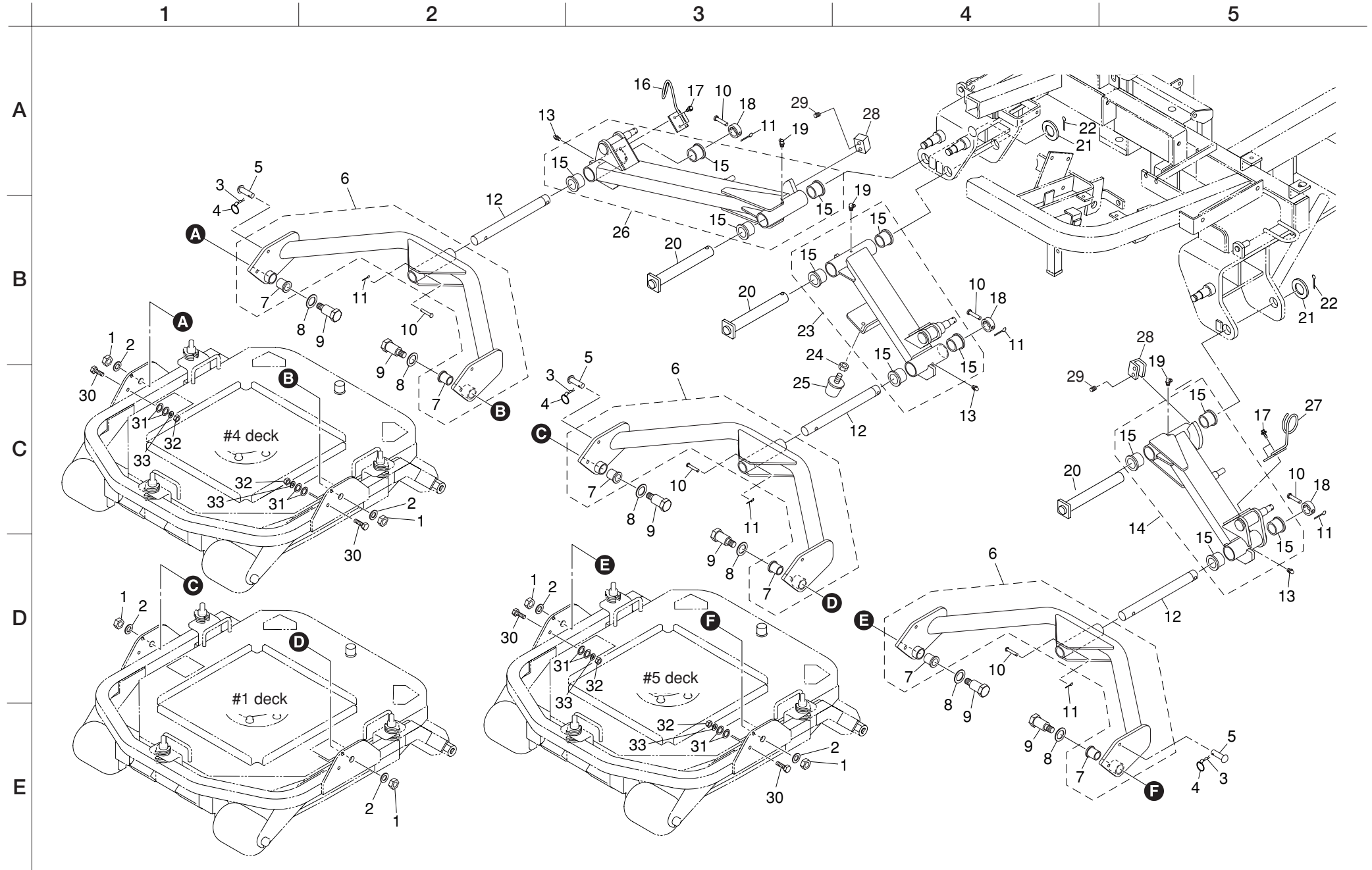
17. Hydraulic parts H



Cat No.	Code No.	Part Name	Qty	Remark
17-1	K 3101311850	WP70-9 hose 1-1850	1	
17-2	K 3191017500	SP-15 coil tube 1750	1	
17-3	K 3008000032-Y	90 adjuster elbow 1086-9	1	
17-4	K 0881014000	O-ring P14B	3	
17-5	K 3294000120	orbit roll LC-D1-E	1	
17-6	K 3025069062-Y	pipe adaptor 069-06	1	
17-7	K 3029000042-Y	special bushing PF1/2PT3/8	1	
17-8	K 3001090002-Y	90 elbow 1033-9	1	
17-9	K 0881018000	O-ring P18B	2	
17-10	K 3008000352-Y	90 different diameter elbow PF3/8PF1/2	1	
17-11	K 3103311050	WP140-9 hose 1-1050	1	
17-12	K 3191009500	SP-15 coil tube 950	1	
17-13	K 3008000082-Y	90 adjuster elbow PF3/8PT1/4	2	
17-14	K 3000060002-Y	adaptor 1013-6	2	
17-15	K 3103213300	WP140-6 hose 1-3300	1	
17-16	K 3190032000	SP-12 coil tube 3200	1	
17-17	K 3001060002-Y	90 elbow 1033-6	2	
17-18	K 3103213500	WP140-6 hose 1-3500	1	
17-19	K 3190034000	SP-12 coil tube 3400	1	
17-20	K 3212000420	40-187 cylinder 393	1	
17-21	80209-00301	cylinder seal kit	1	
17-22	YBA0271A	orbit roll UA-B4-D seal kit	1	
17-23	YBK0039A	orbit roll seal kit for LB-D1-A	1	

Cat No.	Code No.	Part Name	Qty	Remark

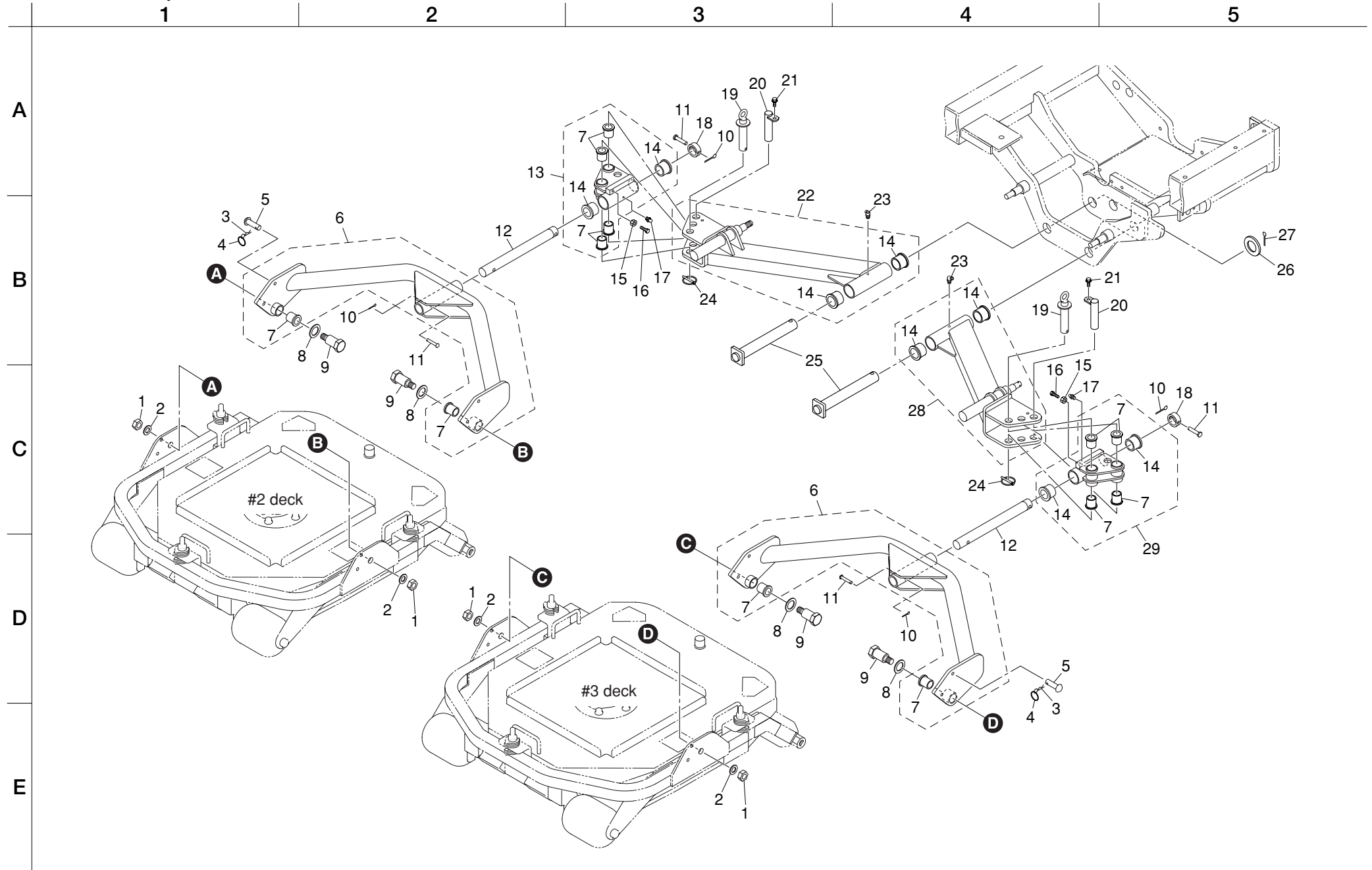
18. Lift arm front parts



Cat No.	Code No.	Part Name	Qty	Remark
18-1	K 0 1 0 3 1 4 0 0 0 2	14 nut P1.5	6	
18-2	K 0 2 0 0 1 4 0 0 0 2	14S washer	6	
18-3	K 0 3 3 0 8 0 0 0 0 8	8 snap pin	3	
18-4	K 0 8 8 0 0 1 6 0 0 0	O-ring P16	3	
18-5	K 6 0 4 1 0 8 0 2 5 8	8 hardened flat head pin 25.6	3	
18-6	GM2800-0201ZD	deck arm	3	
18-7	K 6 0 1 0 0 0 0 1 3 0	22 flange bush 2830	6	
18-8	K 5 0 1 1 0 2 2 3 5 2	1SPCC metal washer 2235	6	
18-9	GM2800-0207Z2	step bolt	6	
18-10	GM2800-0210Z8	9.6 hardened flat head pin 54.5	6	
18-11	K 0 3 0 0 0 2 5 2 0 2	2.5 split pin 20	6	
18-12	GM2800-0208Z0	shaft	3	
18-13	K 1 4 4 0 0 0 0 0 1 0	grease nipple	3	
18-14	GM2800-0206ZD	#5 lift arm	1	
18-15	K 6 0 1 0 0 0 0 1 4 0	30 flange bush 3830	12	
18-16	LM2700-0232Z2	hose guide B	1	
18-17	K 0 0 2 1 0 8 0 2 0 2	8 bolt with flange 20	4	
18-18	GM2800-0209Z2	collar	3	
18-19	K 1 4 4 0 0 0 0 0 3 0	B-shaped grease nipple	3	
18-20	K 7 1 4 7 0 0 0 2 3 2	30 pin with hole 196	3	
18-21	K 5 0 1 2 3 3 0 4 5 2	2.3SPCC metal washer 3045	3	
18-22	K 0 3 0 0 0 4 0 4 0 2	4 split pin 40	3	
18-23	GM2800-0202ZD	#1 lift arm	1	
18-24	K 0 1 5 1 1 0 0 0 0 2	10 nut with flange	1	
18-25	K 4 0 4 9 0 5 0 0 0 0	rubber stopper KI-50	1	
18-26	GM2800-0205ZD	#4 lift arm	1	
18-27	LM2700-0233Z2	hose guide C	1	
18-28	GM2800-0215Z2	mower stopper	2	
18-29	K 0 0 2 3 0 6 0 1 0 1	6 hollow set screw10	4	
18-30	K 0 0 1 0 0 8 0 2 0 2	8 heat-treated bolt 20	4	
18-31	K 5 0 7 3 2 0 8 3 2 2	3.2SPHC metal washer 832	8	
18-32	K 0 1 0 0 0 8 0 0 0 2	8 nut	4	
18-33	K 0 2 0 0 0 8 0 0 0 2	8S washer	4	

Cat No.	Code No.	Part Name	Qty	Remark

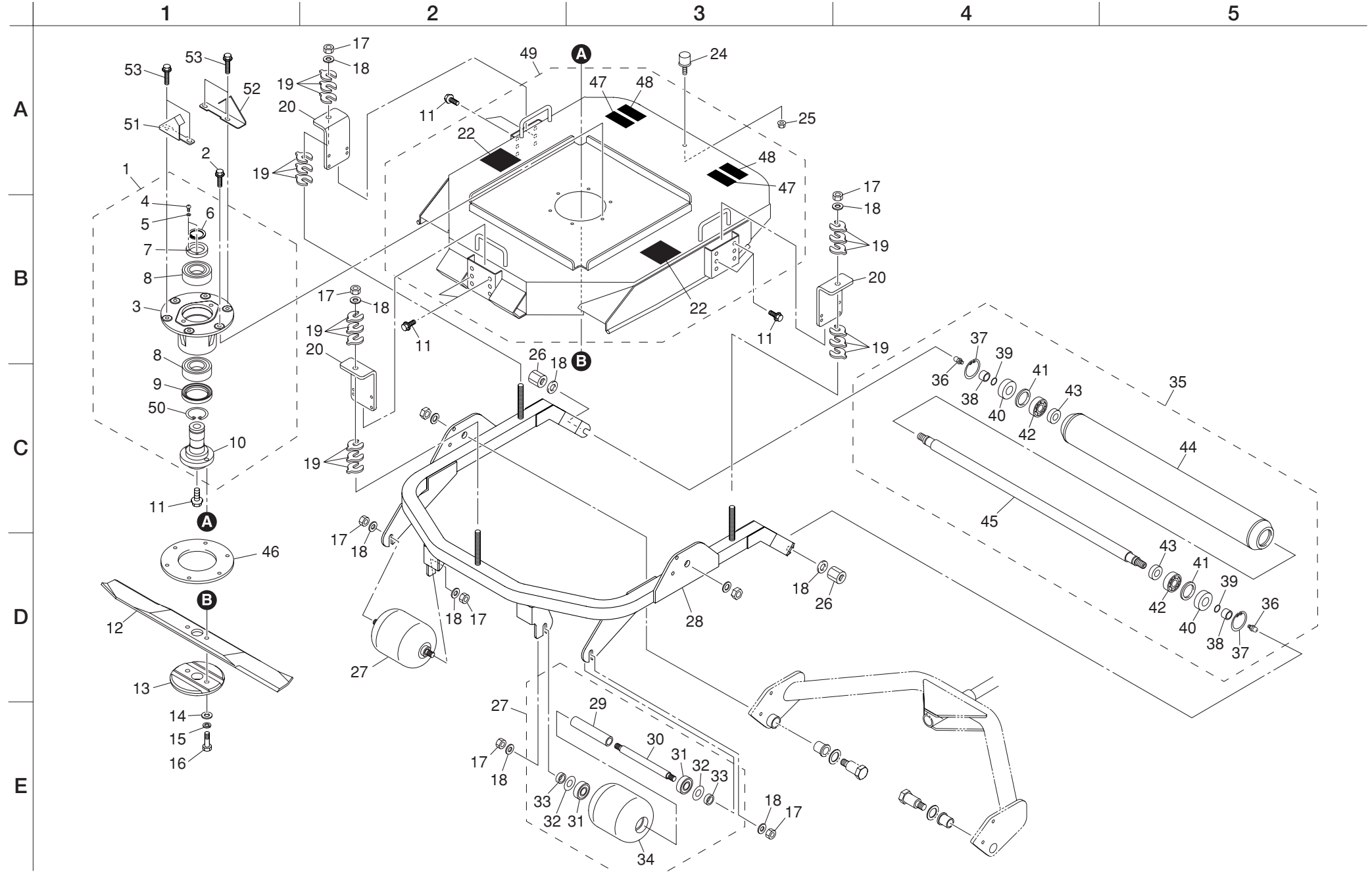
19. Lift arm rear parts



Cat No.	Code No.	Part Name	Qty	Remark
19-1	K 0 1 0 3 1 4 0 0 0 2	14 nut P1.5	4	
19-2	K 0 2 0 0 1 4 0 0 0 2	14S washer	4	
19-3	K 0 3 3 0 8 0 0 0 0 8	8 snap pin	2	
19-4	K 0 8 8 0 0 1 6 0 0 0	O-ring P16	2	
19-5	K 6 0 4 1 0 8 0 2 5 8	8 hardened flat head pin 25.6	2	
19-6	GM2800-0201ZD	deck arm	2	
19-7	K 6 0 1 0 0 0 0 1 3 0	22 flange bush 2830	12	
19-8	K 5 0 1 1 0 2 2 3 5 2	1SPCC metal washer 2235	4	
19-9	GM2800-0207Z2	step bolt	4	
19-10	K 0 3 0 0 0 2 5 2 0 2	2.5 split pin 20	4	
19-11	GM2800-0210Z8	9.6 hardened flat head pin 54.5	4	
19-12	GM2800-0208Z0	shaft	2	
19-13	GM2800-0212ZD	#2 rotation fitting	1	
19-14	K 6 0 1 0 0 0 0 1 4 0	30 flange bush 3830	8	
19-15	K 0 1 0 0 0 8 0 0 0 2	8 nut	2	
19-16	K 0 0 0 0 0 8 0 3 0 2	8 bolt 30	2	
19-17	K 1 4 4 0 0 0 0 0 1 0	grease nipple	2	
19-18	K 6 2 1 5 0 0 0 3 6 2	30STKM collar with hole 4216	2	
19-19	GM2800-0213Z2	pin with grip	2	
19-20	LM2700-0211A2	rear rotation shaft	2	
19-21	K 0 0 2 1 0 8 0 1 5 2	8 bolt with flange 15	2	
19-22	GM2800-0203ZD	#2 lift arm	1	
19-23	K 1 4 4 0 0 0 0 0 3 0	B-shaped grease nipple	2	
19-24	K 6 0 6 1 0 6 0 0 0 2	6 clip pin	2	
19-25	K 7 1 4 7 0 0 0 2 3 2	30 pin with hole 196	2	
19-26	K 5 0 1 2 3 3 0 4 5 2	2.3SPCC metal washer 3045	2	
19-27	K 0 3 0 0 0 4 0 4 0 2	4 split pin 40	2	
19-28	GM2800-0204ZD	#3 lift arm	1	
19-29	GM2800-0211ZD	#3 rotation fitting	1	

Cat No.	Code No.	Part Name	Qty	Remark

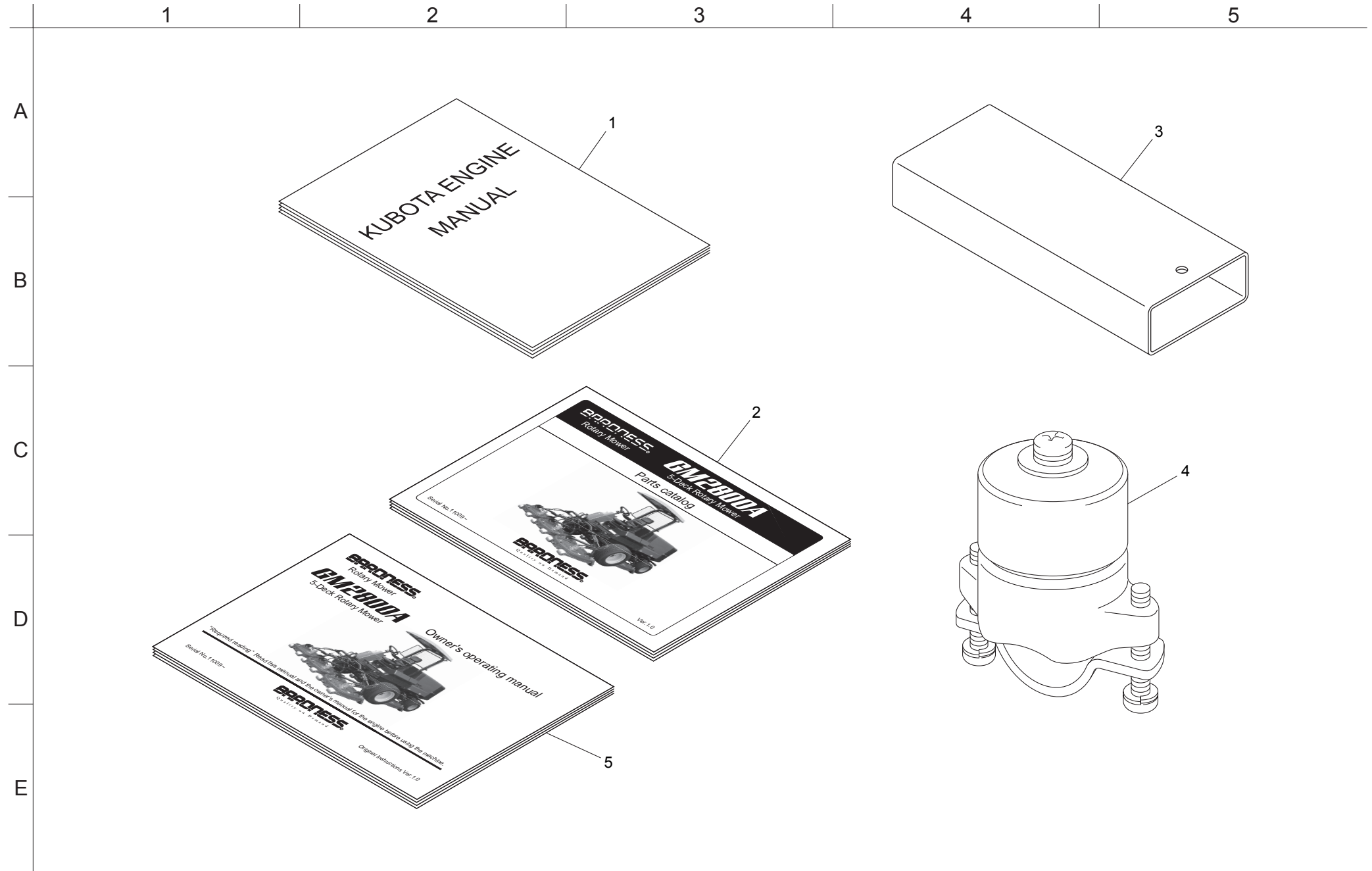
20. Deck parts



Cat No.	Code No.	Part Name	Qty	Remark
20-1	GM2800-0125Z0	housing Ass'y	5	
20-2	K0021080352	8 bolt with flange 35	30	
20-3	GM2800-0124Z2	housing	5	
20-4	K0042030052	3+ round head small screw 5	10	
20-5	K0200030002	3S washer	10	
20-6	K0401040001	stop ring S40	5	
20-7	GM2800-0119Z0	retaining collar	5	
20-8	K0612062080	bearing 62082RD	10	
20-9	K0826082120	oil seal MSHA608212	5	
20-10	GM2800-0123Z0	shaft	5	
20-11	K0021100202	10 bolt with flange 20	35	
20-12	GM2800-0103ZB	rotary blade 690	5	
20-13	GM2800-0104Z0	blade retainer	5	
20-14	K5000120002	12 washer	10	
20-15	K0200120002	12S washer	10	
20-16	K0010120302	12 heat-treated bolt 30	10	
20-17	K0100140002	14 nut	35	
20-18	K0213140002	14 conical disk spring 1H	45	
20-19	GM2800-0110Z2	adjusting collar	90	
20-20	GM2800-0109ZR	cutting height adjusting plate	15	
20-21				
20-22	K4205001600	cutting hazard label	10	
20-23				
20-24	K4049040000	rubber stopper KI-40	5	
20-25	K0151080002	8 nut with flange	5	
20-26	K0160000618	14 special nut 27	10	
20-27	GM2800-0115Z0	roller front Ass'y	10	
20-28	GM2800-0101ZR	deck frame	5	
20-29	GM2800-0118Z0	20.2STKM collar 28127	10	
20-30	GM2800-0108Z2	wheel shaft	10	
20-31	K0608062040	bearing 62042RS	20	
20-32	K5030520430	0.5C2801P metal washer 2043	20	
20-33	K6212000222	20.2STKM collar 289	20	
20-34	GM2800-0107Z0	front roller 127	10	
20-35	GM2800-0116Z0	rear roller Ass'y	5	

Cat No.	Code No.	Part Name	Qty	Remark
20-36	K1440000010	grease nipple	10	
20-37	K0402047001	stop ring R47	10	
20-38	LM2700-0158Z0	17SUS collar 2516	10	
20-39	K0885015000	O-ring S15	10	
20-40	K0822235080	oil seal MSHA22358	10	
20-41	K5090000802	3.2SPHC metal washer 4047	10	
20-42	K0600063030	bearing 6303	10	
20-43	K0822547080	oil seal MSHA25478	10	
20-44	GM2800-0112ZD	76.2 roller 785.4	5	
20-45	GM2800-0111Z0	22 roller shaft 838.4	5	
20-46	GM2800-0122Z2	spacer	5	
20-47	K4205001650	thrown objects hazard label	10	
20-48	K4205001780	hands/feet cutting hazard label	10	
20-49	GM2800-1402Z0	rotary deck COMP	5	
20-50	K0402080001	stop ring R80	5	
20-51	GM2800-0858Z2	stopper for 1,2,4 deck	3	#1, #2, #4
20-52	GM2800-0859Z2	stopper for 3,5 deck	2	#3, #5
20-53	K0007080402	8 bolt 40SW	10	

21. Accessory parts



Cat No.	Code No.	Part Name	Qty	Remark
21-1	PF1G174-8911-1	Kubota V2003 instructions for use	1	
21-2	750102-47-B	GM2800A parts catalogue	1	
21-3	GM2800-1002ZD	square pipe	1	
21-4	K4802000050	balancer Ass'y	1	
21-5	750102-47-A	GM2800A operator's manual	1	

Cat No.	Code No.	Part Name	Qty	Remark

BARONESS®

Quality on Demand

 **KYOEISHA CO., LTD.**

Head Office 1-26, Miyuki-cho, Toyokawa, Tel : (0533)84-1390
Aichi-Pref. 442-8530 Japan. Fax : (0533)89-3623