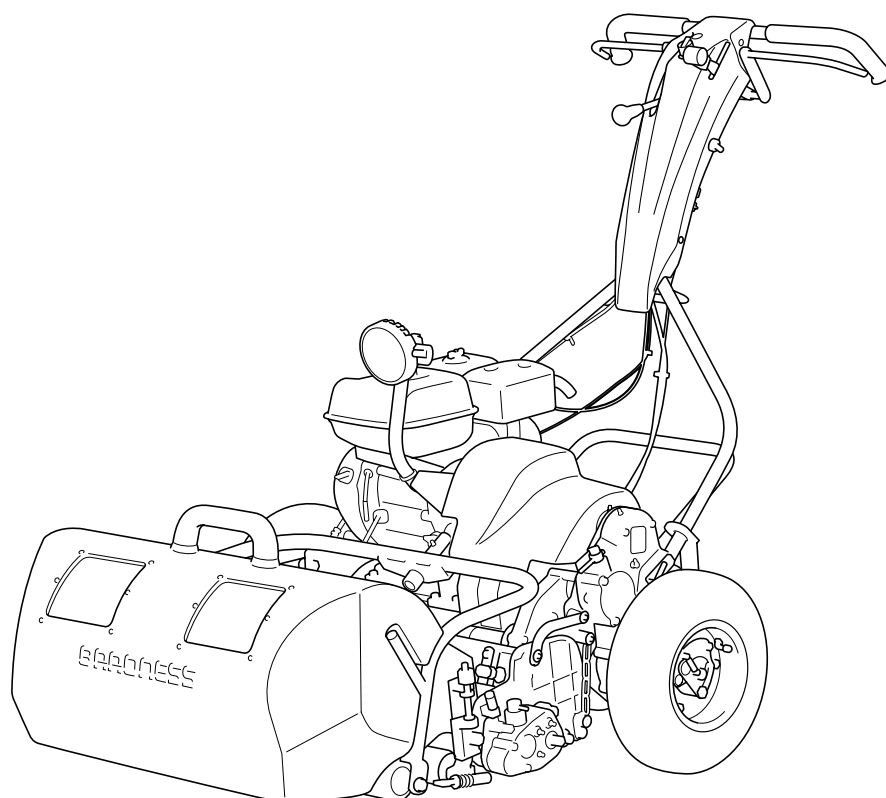


# ***LM101***

Floating Head Greens Mower

## Parts catalog



**BARONESS**<sup>®</sup>  
Quality on Demand

Serial No.10147-

Ver.1.1

## Greeting

Thank you for purchasing Baroness machine.

This machine has been shipped from the factory after comprehensive test runs and inspections. However, the optimum performance of the machine depends on how you use and maintain it, including routine inspections, adjustments, and fuel supplies before and after the operation.

We hope you will use the machine safely, and take advantage of its best performance.

## Note

(For inquiry about this machine)

Since the type of machine may be changed sequentially, inform us of the type and the serial number.

The information described in this manual is subject to change without prior notice.

When replacing parts, be sure to use Baroness parts or parts designated by Kyoisha.

Note that the Baroness product warranty may not apply to defects caused by the use of parts from other companies.

(For ordering parts)

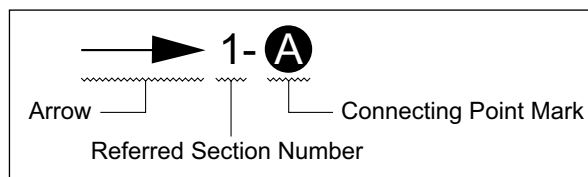
For prevention of delivery of wrong parts, be sure to inform us of the code number and the part name.

| Example: | Code No.    | Part Name          | Qty |
|----------|-------------|--------------------|-----|
|          | K0200100002 | WASHER, SPRING M10 | 8   |

## <Indication of the connecting point shown on the other page>

(Example and description)

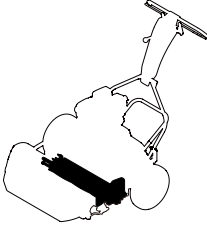
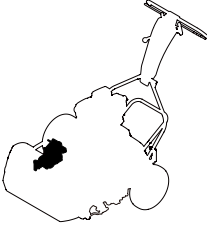
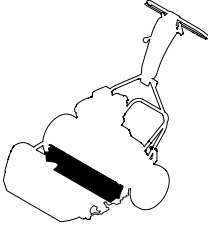
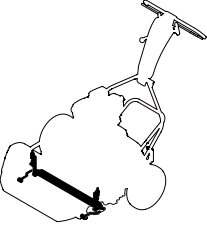
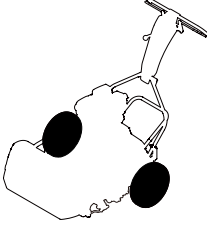
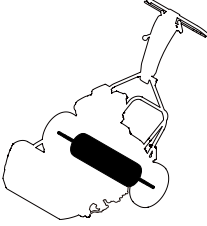
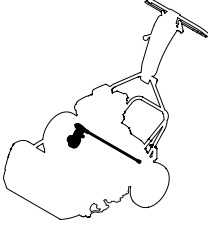
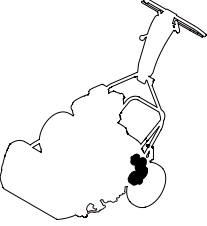
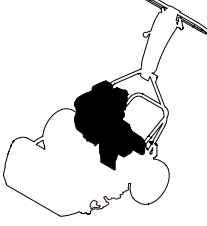
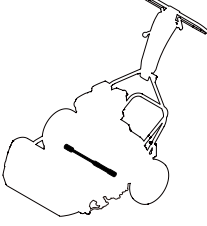
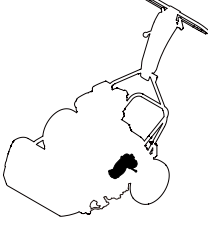
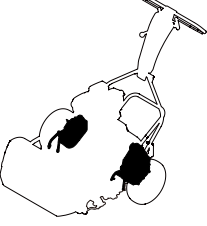
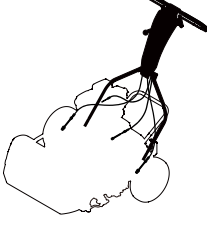
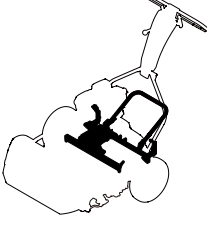
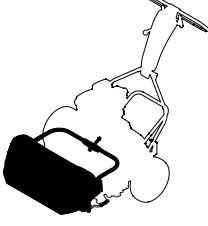
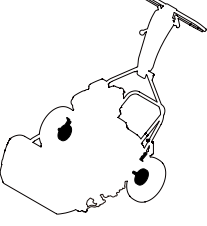
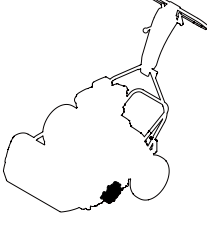
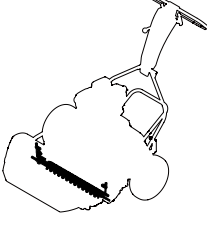
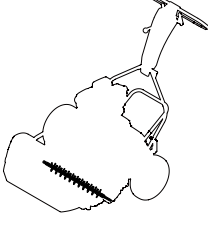
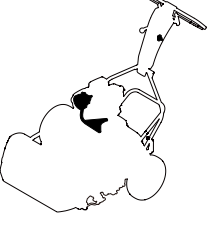
The following indication shows the connecting point of the part shown on the other page.



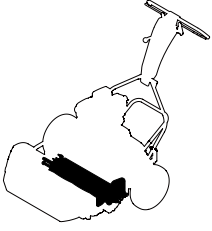
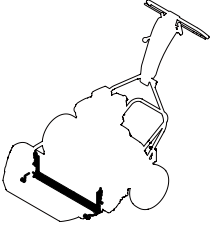
→ 1- **A** : Refer to the point **A** in the illustration of the section No.1

→ 2- **B** : Refer to the point **B** in the illustration of the section No.2

# Contents

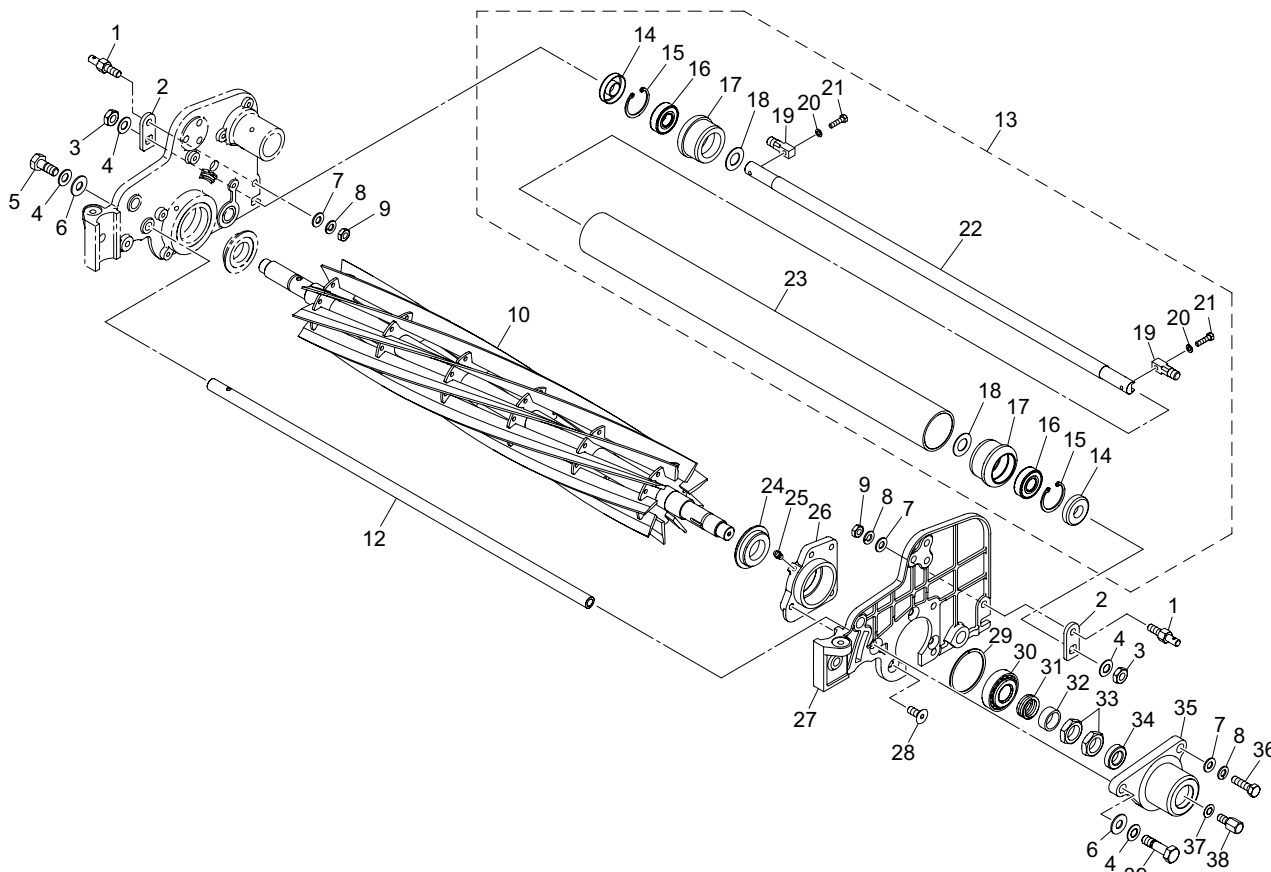
|   |   |   |  |
|---|---|---|--|
| <p>1. Mower section A..... P5</p>                      | <p>2. Mower section B..... P7</p>                      | <p>3. Mower section C..... P9</p>                           | <p>4. Mower section D..... P11</p>            |
| <p>5. Drum wheel section A<br/>..... P12</p>           | <p>6. Drum wheel section B<br/>..... P13</p>           | <p>7. Drum wheel section C<br/>..... P14</p>                | <p>8. Drum wheel section D<br/>..... P15</p>  |
| <p>9. Engine &amp; Clutch section<br/>..... P17</p>  | <p>10. Power transmission<br/>section ..... P19</p>  | <p>11. Mower transmission<br/>case section ..... P20</p>  | <p>12. Frame section..... P22</p>           |
| <p>A13. Handle section A<br/>..... P24</p>           | <p>14. Handle section B .... P26</p>                 | <p>15. Grass catcher section<br/>..... P27</p>            | <p>16. Brake section..... P28</p>           |
| <p>17. Groomer section A<br/>..... P29</p>           | <p>18. Groomer section B<br/>..... P31</p>           | <p>19. Brush section..... P33</p>                         | <p>20. Light section ..... P34</p>          |

# Contents

|  |  |  |   |
|--|--|--|---|
| <p>21. Mower W/ Groomer<br/>section A..... P35</p>  | <p>22. Mower W/ Groomer<br/>section B..... P37</p>  | <p>23. Accessory section<br/>..... P38</p> | <p>24. Optional tools section<br/>..... P39</p> |
|  |  |  |   |
|  |  |  |   |
|  |  |  |   |
|  |  |  |   |
|  |  |  |   |

# 1. Mower section A

LM101

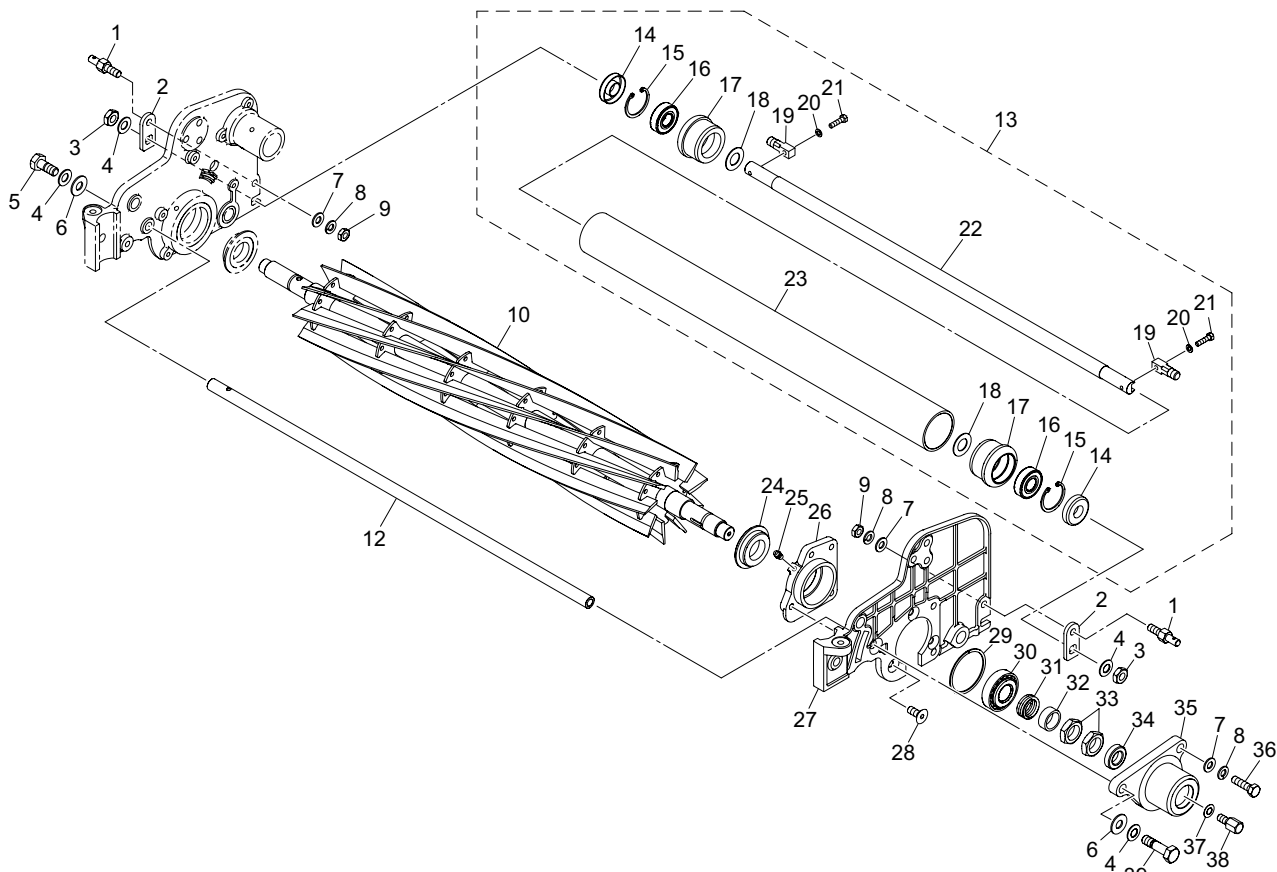


LM101\_01\_a00

| Cat No. | Code No.      | Part name                         | Qty | Remark | SN of application |
|---------|---------------|-----------------------------------|-----|--------|-------------------|
| 1 - 1   | LM54GA-0149Z3 | BOLT, 45                          | 2   |        |                   |
| 1 - 2   | LM101--0148Z2 | STOPPER                           | 2   |        |                   |
| 1 - 3   | K0160000282   | NUT, P1 OH1 M10-3                 | 2   |        |                   |
| 1 - 4   | K0211100001   | SPRING, CONICAL DISC H M10        | 4   |        |                   |
| 1 - 5   | LM54GA-0115A3 | BOLT, KNOCK 25                    | 1   |        |                   |
| 1 - 6   | K5001100002   | WASHER, M10-24                    | 2   |        |                   |
| 1 - 7   | K5000080002   | WASHER, M8                        | 4   |        |                   |
| 1 - 8   | K0200080002   | WASHER, SPRING M8                 | 4   |        |                   |
| 1 - 9   | K0102080002   | NUT, M8-3                         | 2   |        |                   |
| 1 - 10  | K280540090R   | REEL CUTTER, 557                  | 1   |        |                   |
| 1a- 11  |               |                                   |     |        |                   |
| 1 - 12  | LM54GA-0114A3 | STAY, MOWER 603.4 (FRONT)         | 1   |        |                   |
| 1 - 13  | LM101--0153Z0 | ROLLER ASSY, REAR                 | 1   |        |                   |
| 1 - 14  | K0851535080   | OIL SEAL, PJN15358                | 2   |        |                   |
| 1 - 15  | K0402035001   | RING, RETAINING R M35             | 2   |        |                   |
| 1 - 16  | K0612062020   | BEARING, BALL SEAL 2RD 6202       | 2   |        |                   |
| 1 - 17  | LM101--0139Z0 | HOUSING, ROLLER                   | 2   |        |                   |
| 1 - 18  | K5051015280   | WASHER, C5191P 1-15-28            | 2   |        |                   |
| 1 - 19  | LM101--0140Z2 | SHAFT, M10                        | 2   |        |                   |
| 1 - 20  | K0200050002   | WASHER, SPRING M5                 | 2   |        |                   |
| 1 - 21  | K0010050202   | BOLT, HT M5-20                    | 2   |        |                   |
| 1 - 22  | LM101--0137Z2 | SHAFT, ROLLER                     | 1   |        |                   |
| 1 - 23  | LM54G--0138Z0 | ROLLER, REAR                      | 1   |        |                   |
| 1 - 24  | K0830000020   | OIL SEAL, 254210                  | 1   |        |                   |
| 1 - 25  | K1440000010   | GREASE NIPPLE, A TYPE             | 1   |        |                   |
| 1 - 26  | LM101--0123ZR | HOUSING, REEL (LH)                | 1   |        |                   |
| 1 - 27  | LM101--0103Z0 | FRAME, (LH)                       | 1   |        |                   |
| 1 - 28  | K0053080202   | BOLT, FLAT HEAD W/HEX. HOLE M8-20 | 3   |        |                   |
| 1 - 29  | K0880050000   | O-RING, P50                       | 1   |        |                   |
| 1 - 30  | K0631302040   | BEARING, TAPER ROLLER JRP6 30204  | 1   |        |                   |

# 1. Mower section A

LM101

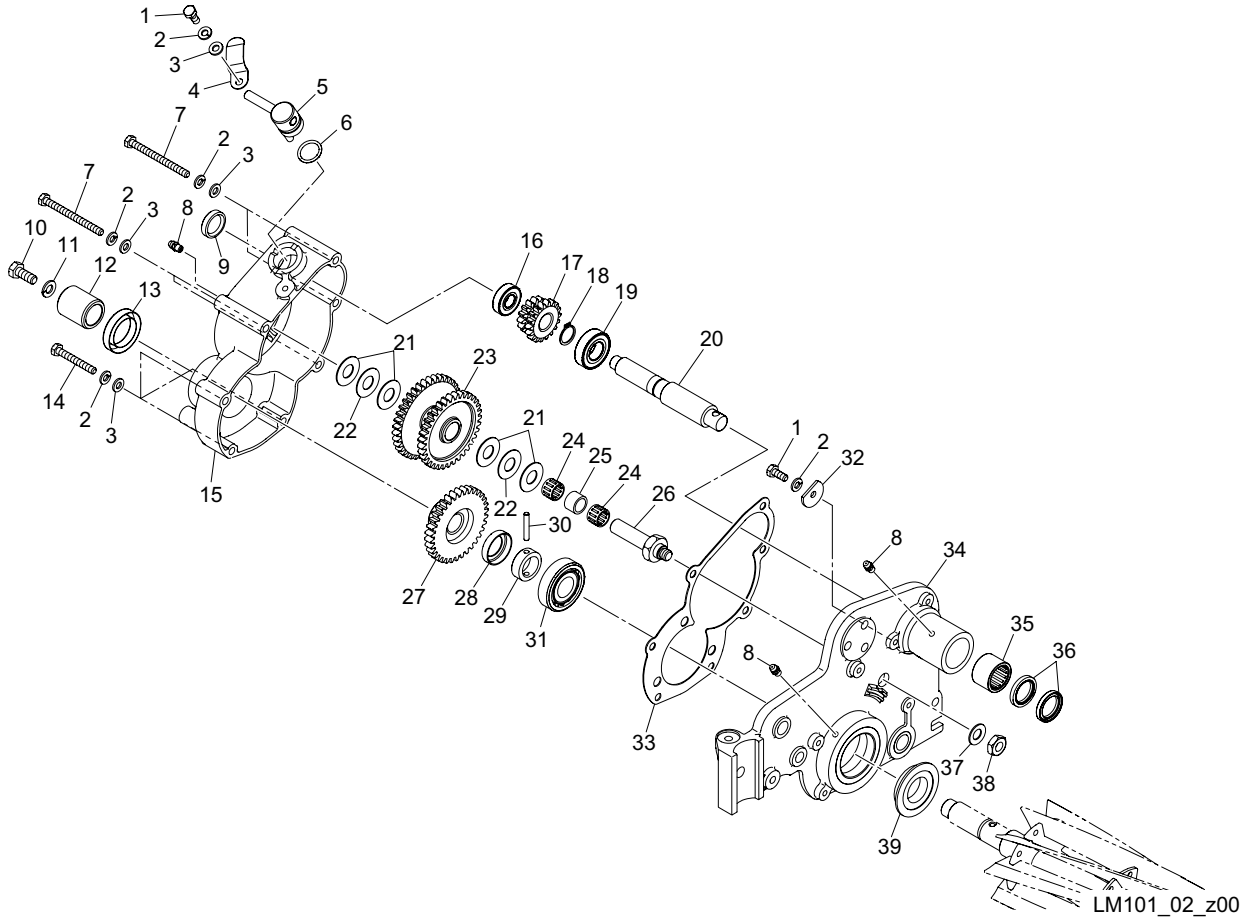


LM101\_01\_a00

| Cat No. | Code No.     | Part name                        | Qty | Remark | SN of application |
|---------|--------------|----------------------------------|-----|--------|-------------------|
| 1 - 31  | K1000000740  | SPRING, COMPRESSION M3.2-26.9-22 | 1   |        |                   |
| 1 - 32  | K6212000630  | COLLAR, STKM M20.2-25.4-10       | 1   |        |                   |
| 1 - 33  | K0160000082  | NUT, SPECIAL P1.5 M20-8          | 2   |        |                   |
| 1 - 34  | K0821628070  | OIL SEAL, MHSA16287              | 1   |        |                   |
| 1 - 35  | LM54G-0111ZR | COVER, REEL SHAFT                | 1   |        |                   |
| 1 - 36  | K0000080302  | BOLT, M8-30                      | 2   |        |                   |
| 1 - 37  | K0210080002  | SPRING, CONICAL DISC L M8        | 1   |        |                   |
| 1 - 38  | LM101-0112Z2 | BOLT, RAPPING                    | 1   |        |                   |
| 1 - 39  | K0071000592  | BOLT, POSITIONING M10-40         | 1   |        |                   |
|         |              |                                  |     |        |                   |
|         |              |                                  |     |        |                   |
|         |              |                                  |     |        |                   |
|         |              |                                  |     |        |                   |

## 2. Mower section B

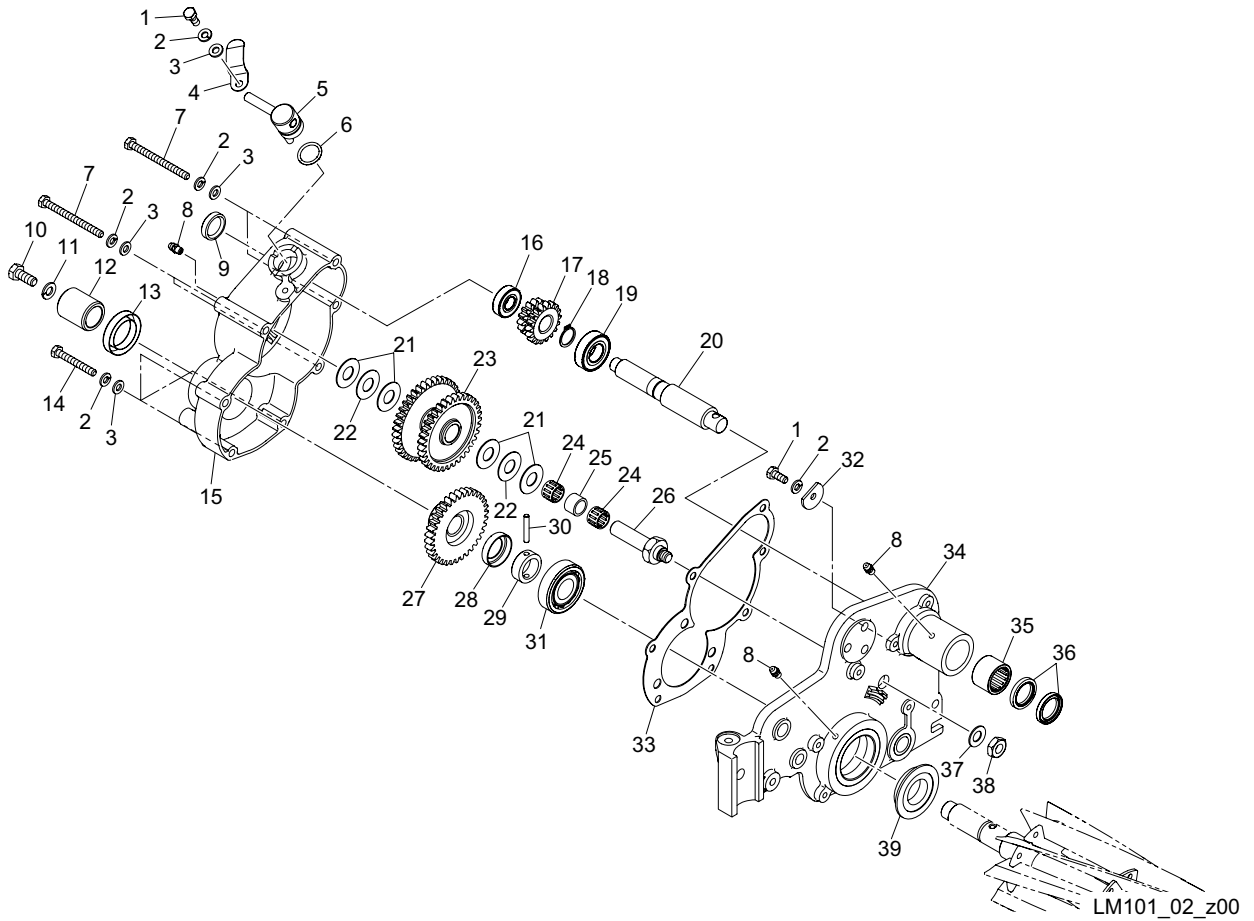
LM101



| Cat No. | Code No.      | Part name                       | Qty | Remark | SN of application |
|---------|---------------|---------------------------------|-----|--------|-------------------|
| 2 - 1   | K0000060152   | BOLT, M6-15                     | 2   |        |                   |
| 2 - 2   | K0200060002   | WASHER, SPRING M6               | 9   |        |                   |
| 2 - 3   | K5000060002   | WASHER, M6                      | 8   |        |                   |
| 2 - 4   | K1090000058   | SPRING, CLUTCH RETAINER         | 1   |        |                   |
| 2 - 5   | LM101--0107Z8 | LEVER, CLUTCH                   | 1   |        |                   |
| 2 - 6   | K0880018000   | O-RING, P18                     | 1   |        |                   |
| 2 - 7   | K0000060702   | BOLT, M6-70                     | 4   |        |                   |
| 2 - 8   | K1440000010   | GREASE NIPPLE, A TYPE           | 3   |        |                   |
| 2 - 9   | K0890000030   | CAP, RUBBER 25                  | 1   |        |                   |
| 2 - 10  | K0074080202   | BOLT, LEFT-HANDED M8-20         | 1   |        |                   |
| 2 - 11  | K0200080002   | WASHER, SPRING M8               | 1   |        |                   |
| 2 - 12  | LM101--0110Z8 | COLLAR, SECURING GEAR           | 1   |        |                   |
| 2 - 13  | K0822840080   | OIL SEAL, MHSA28408             | 1   |        |                   |
| 2 - 14  | K0000060452   | BOLT, M6-45                     | 3   |        |                   |
| 2 - 15  | LM101--0101Z0 | COVER, GEAR (RH)                | 1   |        |                   |
| 2 - 16  | K0612060010   | BEARING, BALL SEAL 2RD 6001     | 1   |        |                   |
| 2 - 17  | LM101--0106Z0 | GEAR, 15 TEETH /18 TEETH        | 1   |        |                   |
| 2 - 18  | K0401017001   | RING, RETAINING S M17           | 1   |        |                   |
| 2 - 19  | K0613060030   | BEARING, BALL SEAL 2RDC3 6003   | 1   |        |                   |
| 2 - 20  | LM101--0108Z8 | SHAFT, INLET                    | 1   |        |                   |
| 2 - 21  | K5051013280   | WASHER, C5191P 1-13-28          | 4   |        |                   |
| 2 - 22  | K5020813280   | WASHER, NBS55 0.8-13-28         | 2   |        |                   |
| 2 - 23  | LM101--0105Z0 | GEAR, 35 TEETH /38 TEETH        | 1   |        |                   |
| 2 - 24  | K0701317120   | BEARING, NEEDLE CAGE KT 131712  | 2   |        |                   |
| 2 - 25  | LM101--0113Z0 | COLLAR, GEAR                    | 1   |        |                   |
| 2 - 26  | LM101--0109Z0 | SHAFT, INTERMEDIATE             | 1   |        |                   |
| 2 - 27  | LM101--0104Z0 | GEAR, REEL 34 TEETH             | 1   |        |                   |
| 2 - 28  | K5300000282   | COVER, FOR PIN LOCK             | 1   |        |                   |
| 2 - 29  | K6213000040   | COLLAR, W/HOLE FOR BEARING (LH) | 1   |        |                   |
| 2 - 30  | K6051045280   | PIN, STRAIGHT HT 4.5-28         | 1   |        |                   |

## 2. Mower section B

LM101

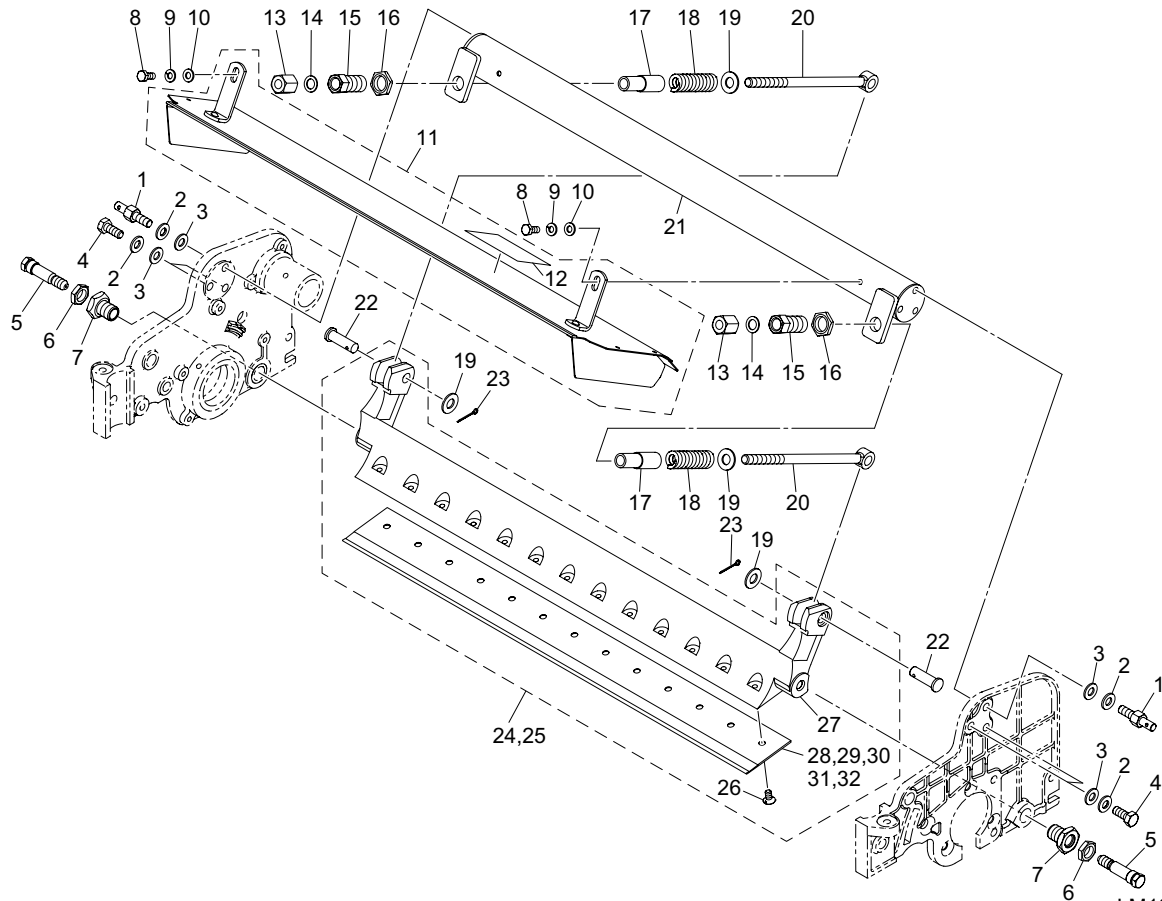


| Cat No. | Code No.      | Part name                         | Qty | Remark | SN of application |
|---------|---------------|-----------------------------------|-----|--------|-------------------|
| 2 - 31  | K0631302040   | BEARING, TAPER ROLLER JRP6 30204  | 1   |        |                   |
| 2 - 32  | K5090000603   | WASHER, SPCC 2.3-6-25             | 1   |        |                   |
| 2 - 33  | LM54G--0127Z0 | PACKING, CASE                     | 1   |        |                   |
| 2 - 34  | LM101--0102Z0 | FRAME, (RH)                       | 1   |        |                   |
| 2 - 35  | K0736000010   | BEARING, NEEDLE CAGE TAF 212920OG | 1   |        |                   |
| 2 - 36  | K0871212940   | OIL SEAL, DS 21294                | 2   |        |                   |
| 2 - 37  | K0210100002   | SPRING, CONICAL DISC L M10        | 1   |        |                   |
| 2 - 38  | K0160000282   | NUT, P1 OH1 M10-3                 | 1   |        |                   |
| 2 - 39  | K0830000020   | OIL SEAL, 254210                  | 1   |        |                   |
|         |               |                                   |     |        |                   |
|         |               |                                   |     |        |                   |
|         |               |                                   |     |        |                   |
|         |               |                                   |     |        |                   |
|         |               |                                   |     |        |                   |



### 3. Mower section C

LM101

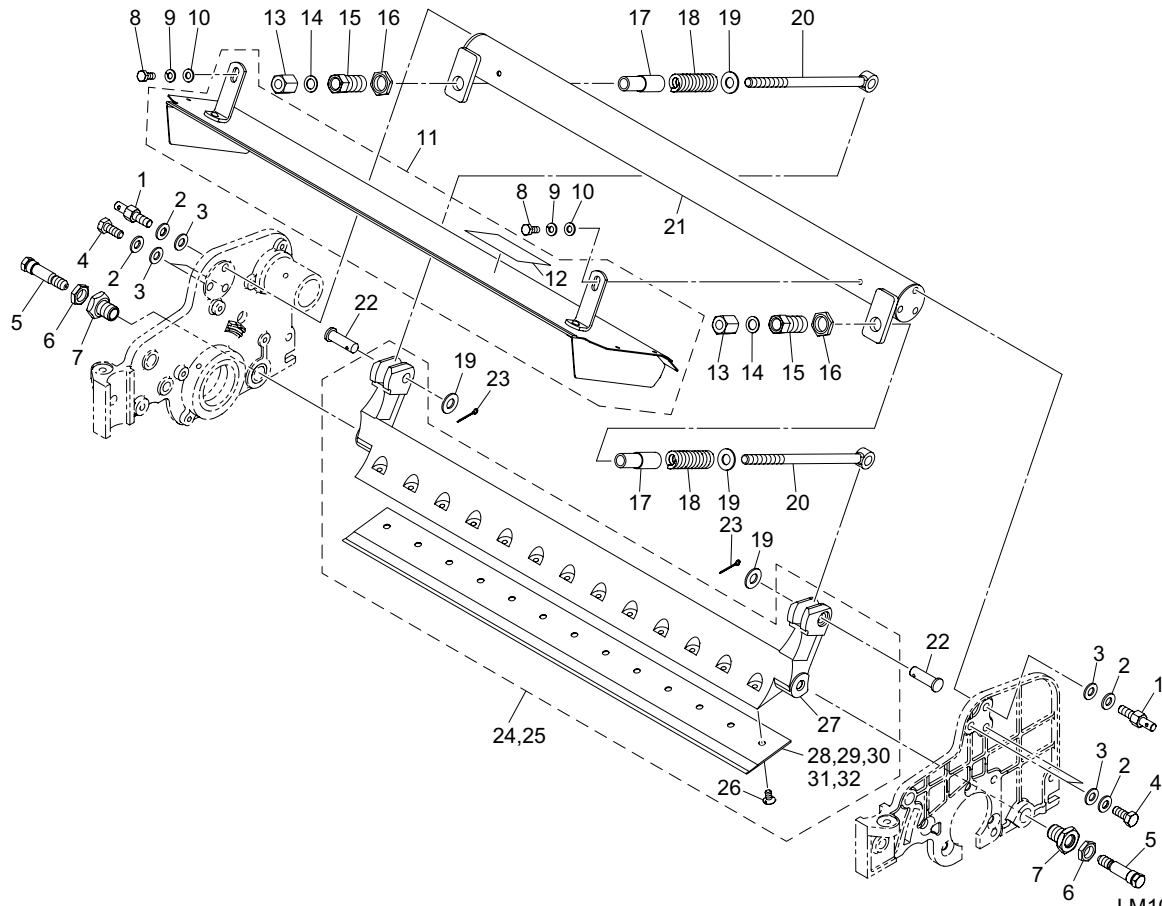


LM101\_03\_z00

| Cat No. | Code No.      | Part name                          | Qty | Remark | SN of application |
|---------|---------------|------------------------------------|-----|--------|-------------------|
| 3 - 1   | LM54GA-0149Z3 | BOLT, 45                           | 2   |        |                   |
| 3 - 2   | K0213080002   | WASHER, DISK SPRING H M8-1         | 6   |        |                   |
| 3 - 3   | K5000080002   | WASHER, M8                         | 6   |        |                   |
| 3 - 4   | K0000080202   | BOLT, M8-20                        | 4   |        |                   |
| 3 - 5   | K6082000010   | BOLT, SUS STEPED FOR FIXING CUTTER | 2   |        |                   |
| 3 - 6   | K0160000112   | NUT, LOCKING                       | 2   |        |                   |
| 3 - 7   | K6010000010   | BUSH, STEPPED                      | 2   |        |                   |
| 3 - 8   | K0000060152   | BOLT, M6-15                        | 2   |        |                   |
| 3 - 9   | K0200060002   | WASHER, SPRING M6                  | 2   |        |                   |
| 3 - 10  | K5000060002   | WASHER, M6                         | 2   |        |                   |
| 3 - 11  | LM54GB-2001Z0 | COVER, REEL W/ MARK                | 1   |        |                   |
| 3 - 12  | K4205001600   | DECAL, CAUTION TO MUTILATION       | 1   |        |                   |
| 3 - 13  | K0160000032   | NUT, ADJUSTING BED-KNIFE P1 M10    | 2   |        |                   |
| 3 - 14  | K5011010162   | WASHER, SPCC 1-10-16               | 2   |        |                   |
| 3 - 15  | K6081000032   | PIPE, ADJUSTING CUTTER W/SCREW     | 2   |        |                   |
| 3 - 16  | K0160000122   | NUT, LOCKING ADJUSTING CUTTER      | 2   |        |                   |
| 3 - 17  | LM54GA-0117Z3 | COLLAR, 53.5                       | 2   |        |                   |
| 3 - 18  | K1000000078   | SPRING, COMPRESSION M3.5-17.5-60   | 2   |        |                   |
| 3 - 19  | K5000100002   | WASHER, M10                        | 4   |        |                   |
| 3 - 20  | K6511000052   | BOLT, ADJUSTING CUTTER 185         | 2   |        |                   |
| 3 - 21  | LM54GA-0113ZR | STAY, MOWER                        | 1   |        |                   |
| 3 - 22  | K6032000052   | PIN, FLAT HEAD M10-32              | 2   |        |                   |
| 3 - 23  | K0300025202   | PIN, COTTER M2.5-20                | 2   |        |                   |
| 3 - 24  | LM101--0152Z0 | BEDKNIFE COMP, 1.5                 | 1   |        |                   |
| 3 - 25  | LM101--1952Z0 | BEDKNIFE COMP, 2.0                 | 1   |        |                   |
| 3 - 26  | K0071000222   | SCREW, HT + FLAT HEAD M6-12        | 13  |        |                   |
| 3 - 27  | LM54GA-0120AR | BASE, BEDKNIFE                     | 1   |        |                   |
| 3 - 28  | K2511000270   | BEDKNIFE, 1.5                      | 1   |        |                   |
| 3 - 29  | K2511000280   | BEDKNIFE, 2.0                      | 1   |        |                   |
| 3 - 30  | K2511000050   | BEDKNIFE, 2.5-55G                  | 1   |        |                   |

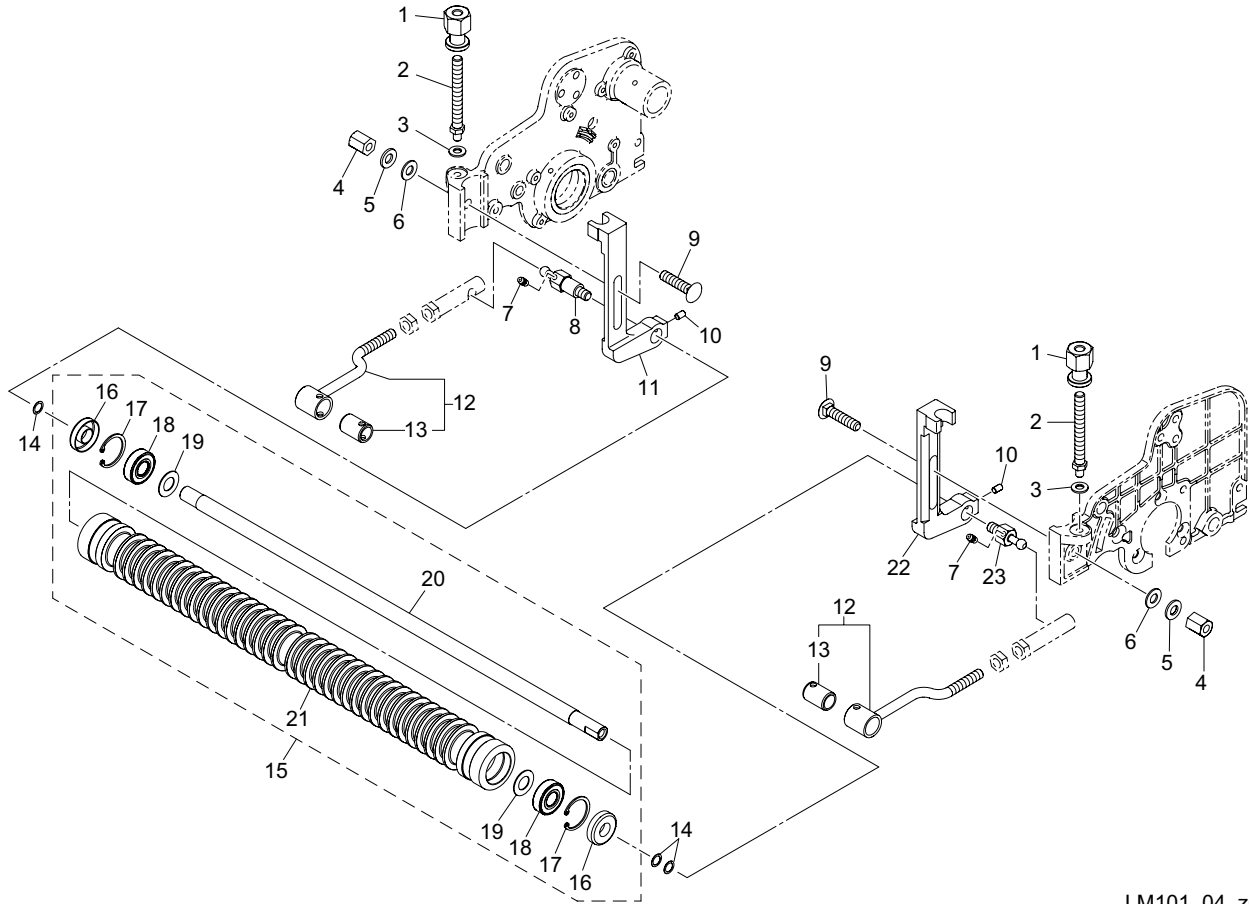
### 3. Mower section C

LM101



LM101\_03\_z00

| Cat No. | Code No.    | Part name              | Qty | Remark | SN of application |
|---------|-------------|------------------------|-----|--------|-------------------|
| 3 - 31  | K2510000060 | BEDKNIFE, 3.0-62.5-559 | 1   |        |                   |
| 3 - 32  | K2510000160 | BEDKNIFE, 5-62.5-559   | 1   |        |                   |
|         |             |                        |     |        |                   |
|         |             |                        |     |        |                   |
|         |             |                        |     |        |                   |
|         |             |                        |     |        |                   |
|         |             |                        |     |        |                   |
|         |             |                        |     |        |                   |
|         |             |                        |     |        |                   |

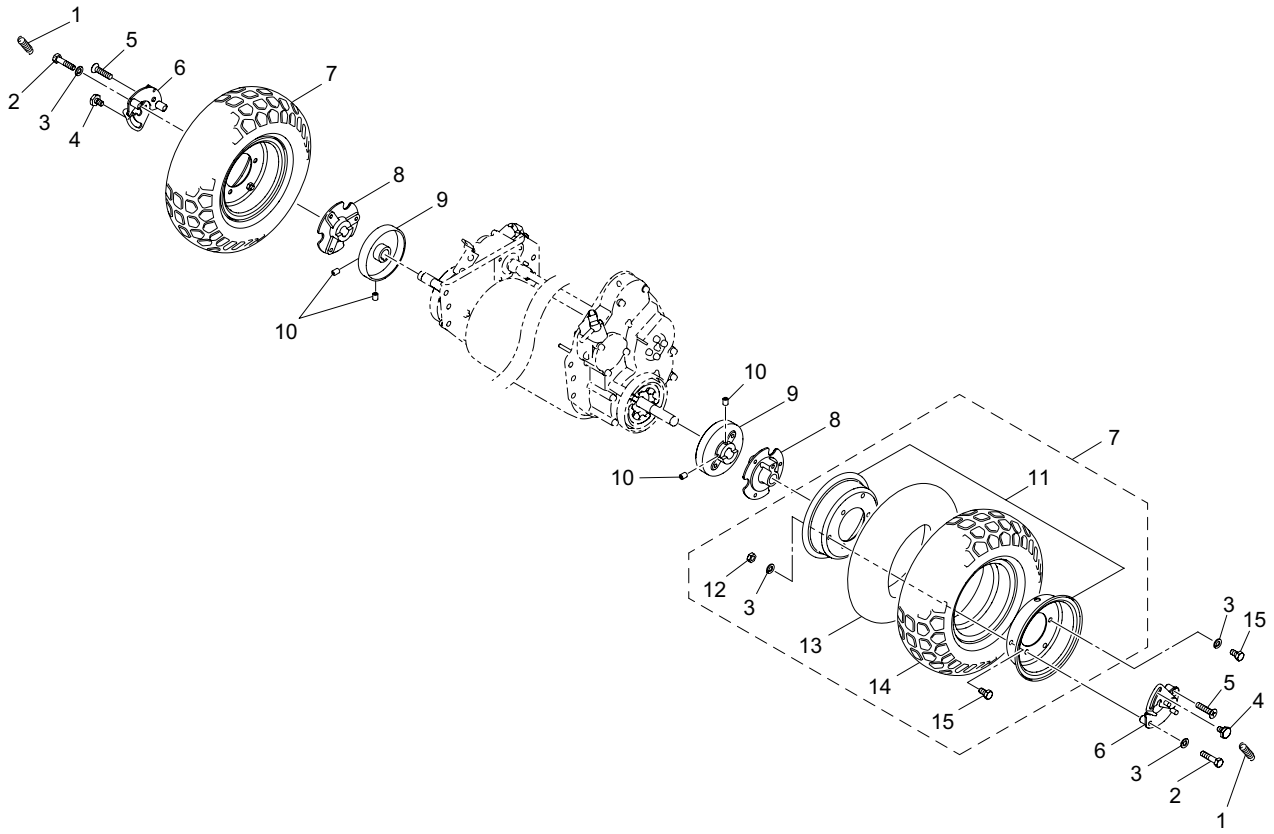


LM101\_04\_z00

| Cat No. | Code No.      | Part name                           | Qty | Remark         | SN of application |
|---------|---------------|-------------------------------------|-----|----------------|-------------------|
| 4 - 1   | K6084000162   | ADJUSTER FOR ROLLER (IGCA)          | 2   |                |                   |
| 4 - 2   | LM101--0121Z0 | BOLT, SUS ADJUSTING CUTTING HEIGHT  | 2   |                |                   |
| 4 - 3   | K0213080002   | WASHER, DISK SPRING H M8-1          | 2   |                |                   |
| 4 - 4   | K0149107202   | NUT, HIGH M10-17-20                 | 2   |                |                   |
| 4 - 5   | K0213100002   | WASHER, DISK SPRING H M10-1         | 2   |                |                   |
| 4 - 6   | K5000100002   | WASHER, M10                         | 2   |                |                   |
| 4 - 7   | K1440000010   | GREASE NIPPLE, A TYPE               | 2   |                |                   |
| 4 - 8   | LM54G--0133Z0 | BOLT, SUS MOUNTING MOWER (RH)       | 1   |                |                   |
| 4 - 9   | K0025100452   | BOLT, ROUND HEAD SQUARE ROOT M10-45 | 2   |                |                   |
| 4 - 10  | K0028060100   | SETSCREW, SUS M6-10                 | 2   |                |                   |
| 4 - 11  | LM101--0116Z2 | BRACKET, ROLLER (RH)                | 1   |                |                   |
| 4 - 12  | LM54G--0823Z0 | FITTING, MOWER LM54GB               | 2   |                |                   |
| 4 - 13  | K6000000150   | BUSH, W/HOLE 15-20-29               | 2   |                |                   |
| 4 - 14  | K5050310140   | WASHER, C5191P 0.3-10-14            | 0~6 | FOR ADJUSTMENT |                   |
| 4 - 15  | LM101--0151Z0 | ROLLER ASSY, GROOVED                | 1   |                |                   |
| 4 - 16  | K0851535080   | OIL SEAL, PJN15358                  | 2   |                |                   |
| 4 - 17  | K0402035001   | RING, RETAINING R M35               | 2   |                |                   |
| 4 - 18  | K0612062020   | BEARING, BALL SEAL 2RD 6202         | 2   |                |                   |
| 4 - 19  | K5051015280   | WASHER, C5191P 1-15-28              | 2   |                |                   |
| 4 - 20  | LM101--0118Z2 | SHAFT, ROLLER                       | 1   |                |                   |
| 4 - 21  | LM101--0117Z3 | ROLLER, GROOVED                     | 1   |                |                   |
| 4 - 22  | LM101--0115Z2 | BRACKET, ROLLER (LH)                | 1   |                |                   |
| 4 - 23  | LM54G--0132Z0 | BOLT, SUS MOUNTING MOWER (LH)       | 1   |                |                   |

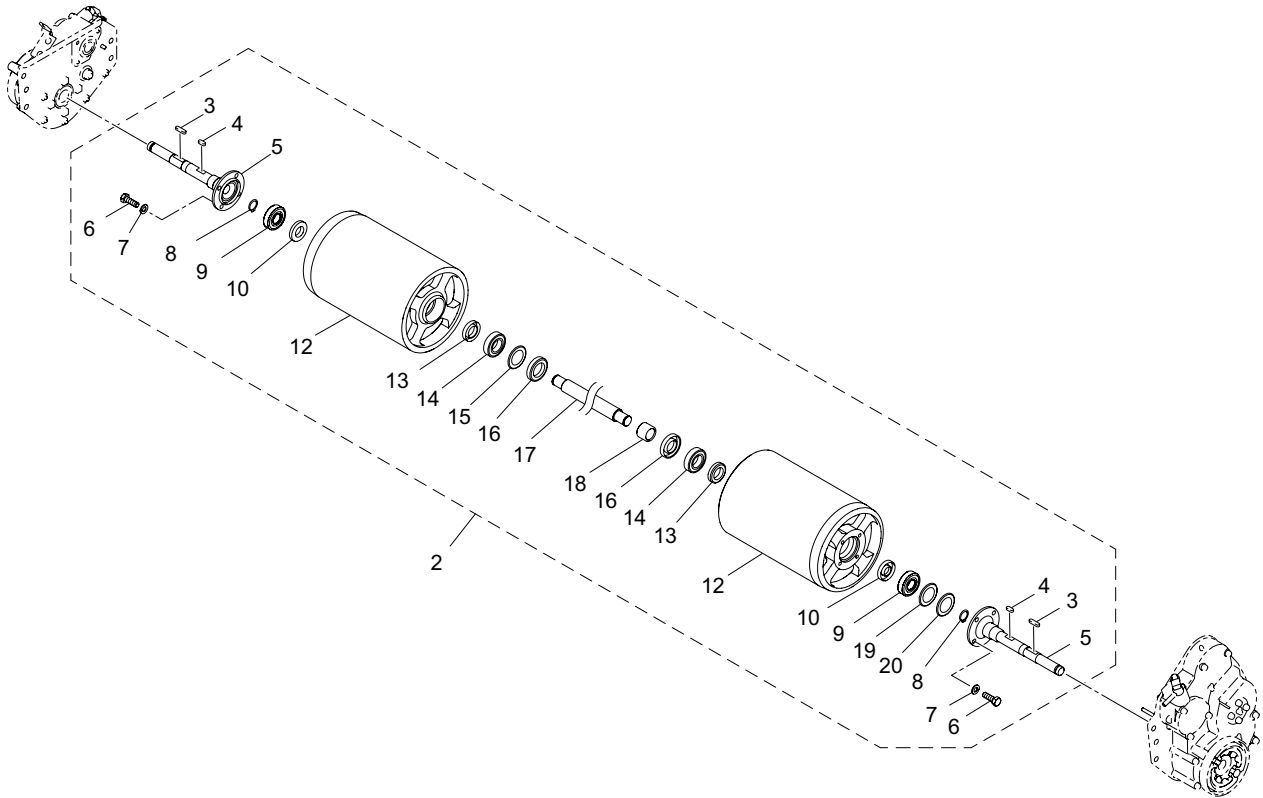
# 5. Drum wheel section A

LM101



LM101\_05\_z00

| Cat No. | Code No.      | Part name                      | Qty | Remark | SN of application |
|---------|---------------|--------------------------------|-----|--------|-------------------|
| 5 - 1   | K1030000068   | SPRING, W/U HOOK M1.5-8.5-35.5 | 2   |        |                   |
| 5 - 2   | K0000080352   | BOLT, M8-35                    | 2   |        |                   |
| 5 - 3   | K0200080002   | WASHER, SPRING M8              | 10  |        |                   |
| 5 - 4   | K6082000023   | BOLT, STEPPED M8-10            | 2   |        |                   |
| 5 - 5   | K0041080352   | SCREW, + FLAT HEAD M8-35       | 2   |        |                   |
| 5 - 6   | LM55GB-0242C2 | PLATE, CLAMPING WHEEL          | 2   |        |                   |
| 5 - 7   | K2020000050   | TIRE ASSY, 4.10/3.50-6         | 2   |        |                   |
| 5 - 8   | LM55GD-0239AD | MOUNT, WHEEL                   | 2   |        |                   |
| 5 - 9   | LM55GD-0238Z2 | DRUM, BRAKE                    | 2   |        |                   |
| 5 - 10  | K0023080101   | SETSCREW, M8-10                | 4   |        |                   |
| 5 - 11  | K2080000040   | WHEEL COMP, 3SP-6              | 2   |        |                   |
| 5 - 12  | K0100080003   | NUT, M8                        | 6   |        |                   |
| 5 - 13  | K2091000220   | TUBE, 4.10/3.50-6              | 2   |        |                   |
| 5 - 14  | K2021000030   | TIRE, 4.10/3.50-6              | 2   |        |                   |
| 5 - 15  | K0000080152   | BOLT, M8-15                    | 8   |        |                   |
|         |               |                                |     |        |                   |
|         |               |                                |     |        |                   |
|         |               |                                |     |        |                   |

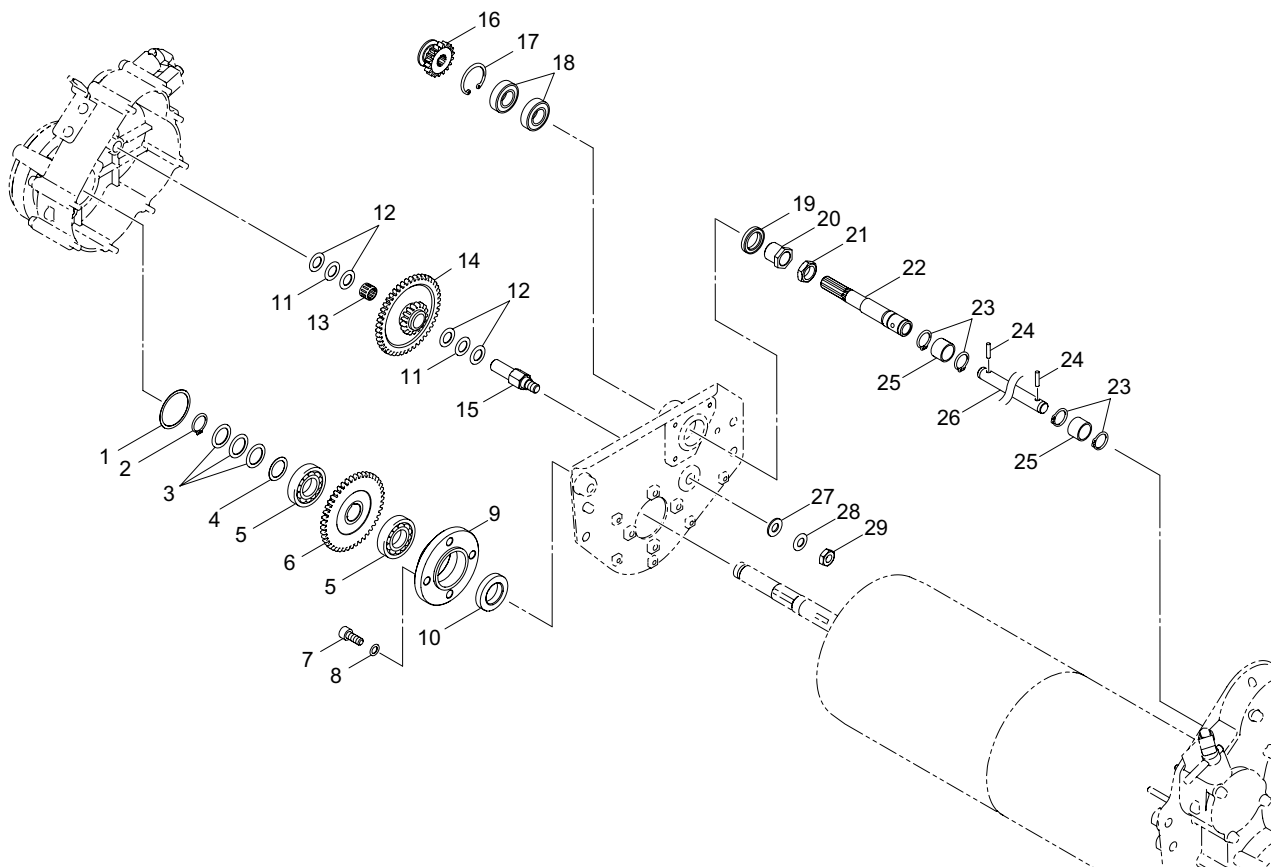


LM101\_06\_a00

| Cat No. | Code No.      | Part name                     | Qty | Remark         | SN of application |
|---------|---------------|-------------------------------|-----|----------------|-------------------|
| 6a- 1   |               |                               |     |                |                   |
| 6 - 2   | LM101--2801Z0 | DRUM & SHAFT ASSY, ND         | 1   |                |                   |
| 6 - 3   | K0500505280   | KEY, BOTH ROUND M5-528        | 2   |                |                   |
| 6 - 4   | K0500505160   | KEY, BOTH ROUND M5-516        | 2   |                |                   |
| 6 - 5   | LM101--0204Z2 | SHAFT, DRUM (OUTER)           | 2   |                |                   |
| 6 - 6   | K0000080252   | BOLT, M8-25                   | 8   |                |                   |
| 6 - 7   | K0200080002   | WASHER, SPRING M8             | 8   |                |                   |
| 6 - 8   | K0401020001   | RING, RETAINING S M20         | 2   |                |                   |
| 6 - 9   | K0613062040   | BEARING, BALL SEAL 2RDC3 6204 | 2   |                |                   |
| 6 - 10  | K0812040070   | OIL SEAL, MHS20407            | 2   |                |                   |
| 6a- 11  |               |                               |     |                |                   |
| 6 - 12  | LM101--2802Z0 | DRUM, ND                      | 2   |                |                   |
| 6 - 13  | K0852540080   | OIL SEAL, PJN25408            | 2   |                |                   |
| 6 - 14  | K0608060050   | BEARING, BALL SEAL 2RS 6005   | 2   |                |                   |
| 6 - 15  | K5010525322   | WASHER, SPCC 0.5-25-32        | 1   | FOR ADJUSTMENT |                   |
| 6 - 16  | K0823047080   | OIL SEAL, MHSA30478           | 2   |                |                   |
| 6 - 17  | LM101--0203Z2 | SHAFT, DRUM (INNER)           | 1   |                |                   |
| 6 - 18  | K6212002592   | COLLAR, STKM 25.1-30-21.5     | 1   |                |                   |
| 6 - 19  | K5010320282   | WASHER, SPCC 0.3-20-28        | 1   | FOR ADJUSTMENT |                   |
| 6 - 20  | K5011020282   | WASHER, SPCC 1-20-28          | 1   | FOR ADJUSTMENT |                   |
|         |               |                               |     |                |                   |
|         |               |                               |     |                |                   |

# 7. Drum wheel section C

LM101

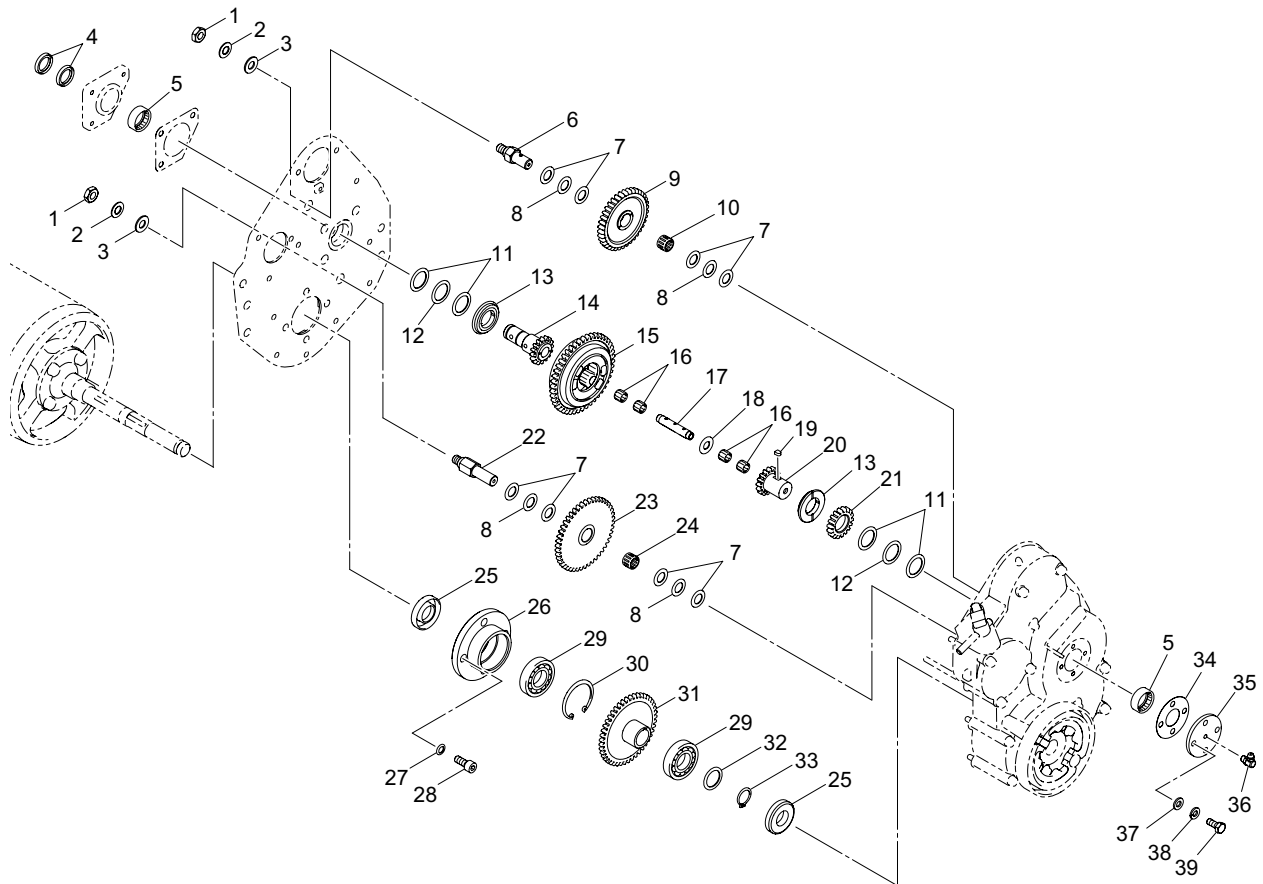


LM101\_07\_z00

| Cat No. | Code No.      | Part name                         | Qty | Remark         | SN of application |
|---------|---------------|-----------------------------------|-----|----------------|-------------------|
| 7 - 1   | K5010340462   | WASHER, SPCC 0.3-40-46.5          | 1~3 | FOR ADJUSTMENT |                   |
| 7 - 2   | K0401020001   | RING, RETAINING S M20             | 1   |                |                   |
| 7 - 3   | K5011020282   | WASHER, SPCC 1-20-28              | 3   |                |                   |
| 7 - 4   | K5010320282   | WASHER, SPCC 0.3-20-28            | 1   | FOR ADJUSTMENT |                   |
| 7 - 5   | K0601062040   | BEARING, BALL C3 6204             | 2   |                |                   |
| 7 - 6   | LM54GA-0221B0 | GEAR, WHEEL SHAFT 45 TEETH (RH)   | 1   |                |                   |
| 7 - 7   | K001A080201   | BOLT, 13T W/HEX HOLE M8-20        | 4   |                |                   |
| 7 - 8   | K0215080002   | WASHER, DISK SPRING H M8-2        | 4   |                |                   |
| 7 - 9   | LM54G--0229Z0 | HOUSING, AXLE (RH)                | 1   |                |                   |
| 7 - 10  | K0822542080   | OIL SEAL, MHSA25428               | 1   |                |                   |
| 7 - 11  | K5020813220   | WASHER, NBS55 0.8-13-22           | 2   |                |                   |
| 7 - 12  | K5051013220   | WASHER, C5191P 1-13-22            | 4   |                |                   |
| 7 - 13  | K0711317200   | BEARING, NEEDLE KTW 131720E01C3   | 1   |                |                   |
| 7 - 14  | LM54GA-0219A0 | GEAR, DOUBLE 46-/17-TEETH (RH)    | 1   |                |                   |
| 7 - 15  | LM54G--0228Z0 | SHAFT, #2 FOR FRAME (RH)          | 1   |                |                   |
| 7 - 16  | K6180000090   | GEAR, 18 TOOTH M2                 | 1   |                |                   |
| 7 - 17  | K0402035001   | RING, RETAINING R M35             | 1   |                |                   |
| 7 - 18  | K0616062020   | BEARING, BALL SEAL 2NSEC3 6202    | 2   |                |                   |
| 7 - 19  | K0802030050   | OIL SEAL, MH20305                 | 1   |                |                   |
| 7 - 20  | K0160000510   | NUT, SPECIAL P1 M17-22            | 1   |                |                   |
| 7 - 21  | K0160000332   | NUT, SPECIAL P1 M17-7             | 1   |                |                   |
| 7 - 22  | K6100000049   | SHAFT, THREADED TRANSMISSION (RH) | 1   |                |                   |
| 7 - 23  | K0401018001   | RING, RETAINING S M18             | 4   |                |                   |
| 7 - 24  | K0311040170   | ROLLER, NEEDLE N4×17.8 FW6-C3     | 2   |                |                   |
| 7 - 25  | K6211000312   | COLLAR, SGP 18.2-21.7-15          | 2   |                |                   |
| 7 - 26  | LM54G--0225Z3 | SHAFT, THREADED TRANSMISSION      | 1   |                |                   |
| 7 - 27  | K5000100002   | WASHER, M10                       | 1   |                |                   |
| 7 - 28  | K0211100001   | SPRING, CONICAL DISC H M10        | 1   |                |                   |
| 7 - 29  | K0160000282   | NUT, P1 OH1 M10-3                 | 1   |                |                   |

# 8. Drum wheel section D

LM101

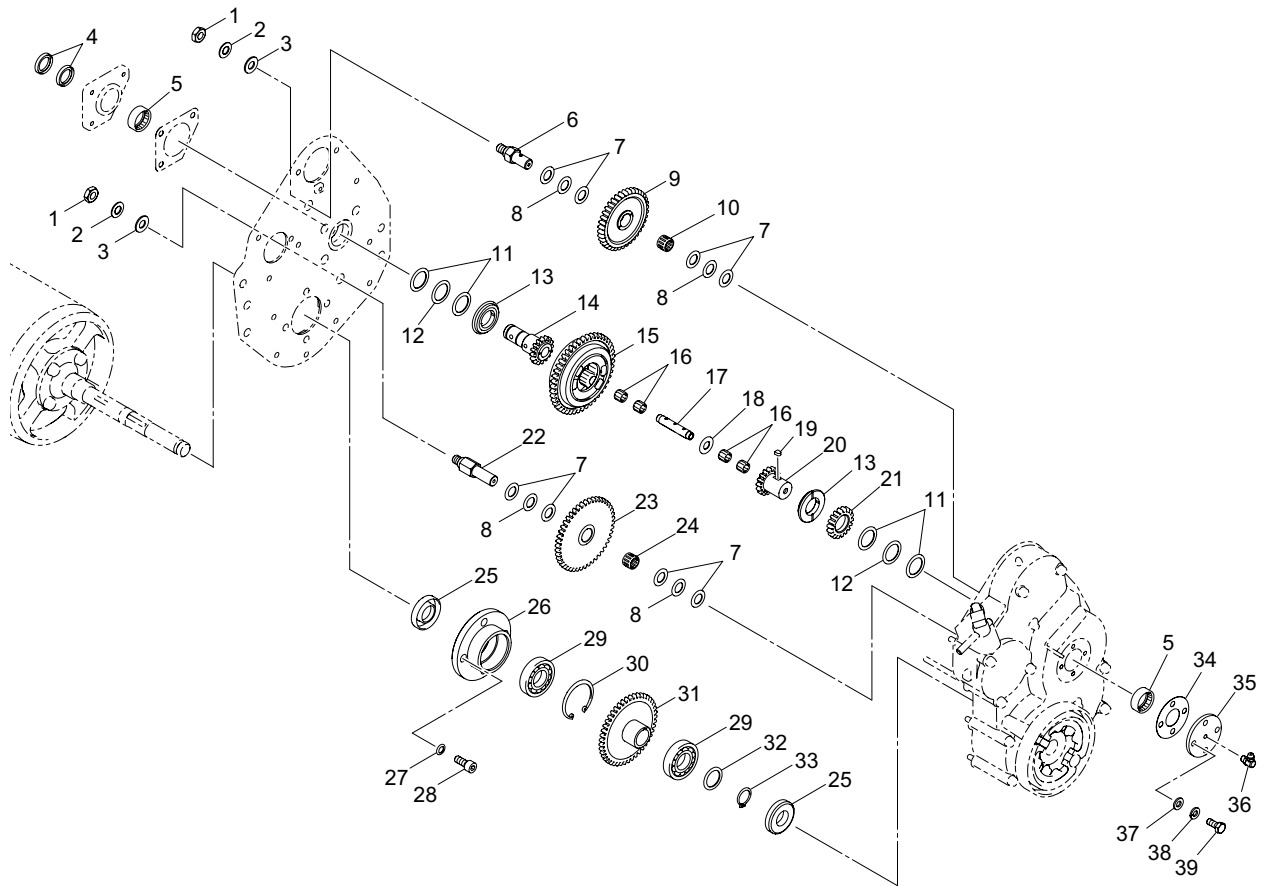


LM101\_08\_z00

| Cat No. | Code No.      | Part name                       | Qty | Remark | SN of application |
|---------|---------------|---------------------------------|-----|--------|-------------------|
| 8 - 1   | K0160000282   | NUT, P1 OH1 M10-3               | 2   |        |                   |
| 8 - 2   | K0211100001   | SPRING, CONICAL DISC H M10      | 2   |        |                   |
| 8 - 3   | K5000100002   | WASHER, M10                     | 2   |        |                   |
| 8 - 4   | K0870182640   | OIL SEAL, OS 18264              | 2   |        |                   |
| 8 - 5   | K0722210000   | BEARING, NEEDLE TAZ 2210        | 2   |        |                   |
| 8 - 6   | LM54G-0201Z0  | SHAFT, #2                       | 1   |        |                   |
| 8 - 7   | K5051013220   | WASHER, C5191P 1-13-22          | 8   |        |                   |
| 8 - 8   | K5020813220   | WASHER, NBS55 0.8-13-22         | 4   |        |                   |
| 8 - 9   | LM54G-0202Z0  | GEAR, 38-TEETH                  | 1   |        |                   |
| 8 - 10  | K0701317120   | BEARING, NEEDLE CAGE KT 131712  | 1   |        |                   |
| 8 - 11  | K5051022300   | WASHER, C5191P 1-22-30          | 4   |        |                   |
| 8 - 12  | K5020822300   | WASHER, NBS55 0.8-22-30         | 2   |        |                   |
| 8 - 13  | K6202000140   | RETAINER, DIFF GEAR             | 2   |        |                   |
| 8 - 14  | LM55GB-0210A3 | GEAR, DIFF 16-TEETH (RH)        | 1   |        |                   |
| 8 - 15  | LM54G-0203Z0  | GEAR ASSY, DIFF 50-TEETH        | 1   |        |                   |
| 8 - 16  | K0701013100   | BEARING, NEEDLE CAGE KT 101310  | 4   |        |                   |
| 8 - 17  | K6150000150   | PIN, FOR DIFF GEAR M10-55       | 1   |        |                   |
| 8 - 18  | K5051010220   | WASHER, C5191P 1-10-22          | 1   |        |                   |
| 8 - 19  | K0520504060   | KEY, ROUND/SQUARE, M5-46.3      | 1   |        |                   |
| 8 - 20  | LM55GB-0209C0 | GEAR, DIFF 16-TEETH (LH)        | 1   |        |                   |
| 8 - 21  | LM55GB-0214A0 | GEAR, 18-TEETH (LH)             | 1   |        |                   |
| 8 - 22  | LM54G-0218Z0  | SHAFT, #4 LEFT FRAME            | 1   |        |                   |
| 8 - 23  | LM54GA-0220A0 | GEAR, DOUBLE 46-/17-TEETH (LH)  | 1   |        |                   |
| 8 - 24  | K0711317200   | BEARING, NEEDLE CAGE KTW 131720 | 1   |        |                   |
| 8 - 25  | K0822542080   | OIL SEAL, MHSA25428             | 2   |        |                   |
| 8 - 26  | LM54G-0222Z0  | HOUSING, AXLE (LH)              | 1   |        |                   |
| 8 - 27  | K0215080002   | WASHER, DISK SPRING H M8-2      | 4   |        |                   |
| 8 - 28  | K001A080201   | BOLT, 13T W/HEX HOLE M8-20      | 4   |        |                   |
| 8 - 29  | K0601062040   | BEARING, BALL C3 6204           | 2   |        |                   |
| 8 - 30  | K0402047001   | RING, RETAINING R M47           | 1   |        |                   |

# 8. Drum wheel section D

LM101



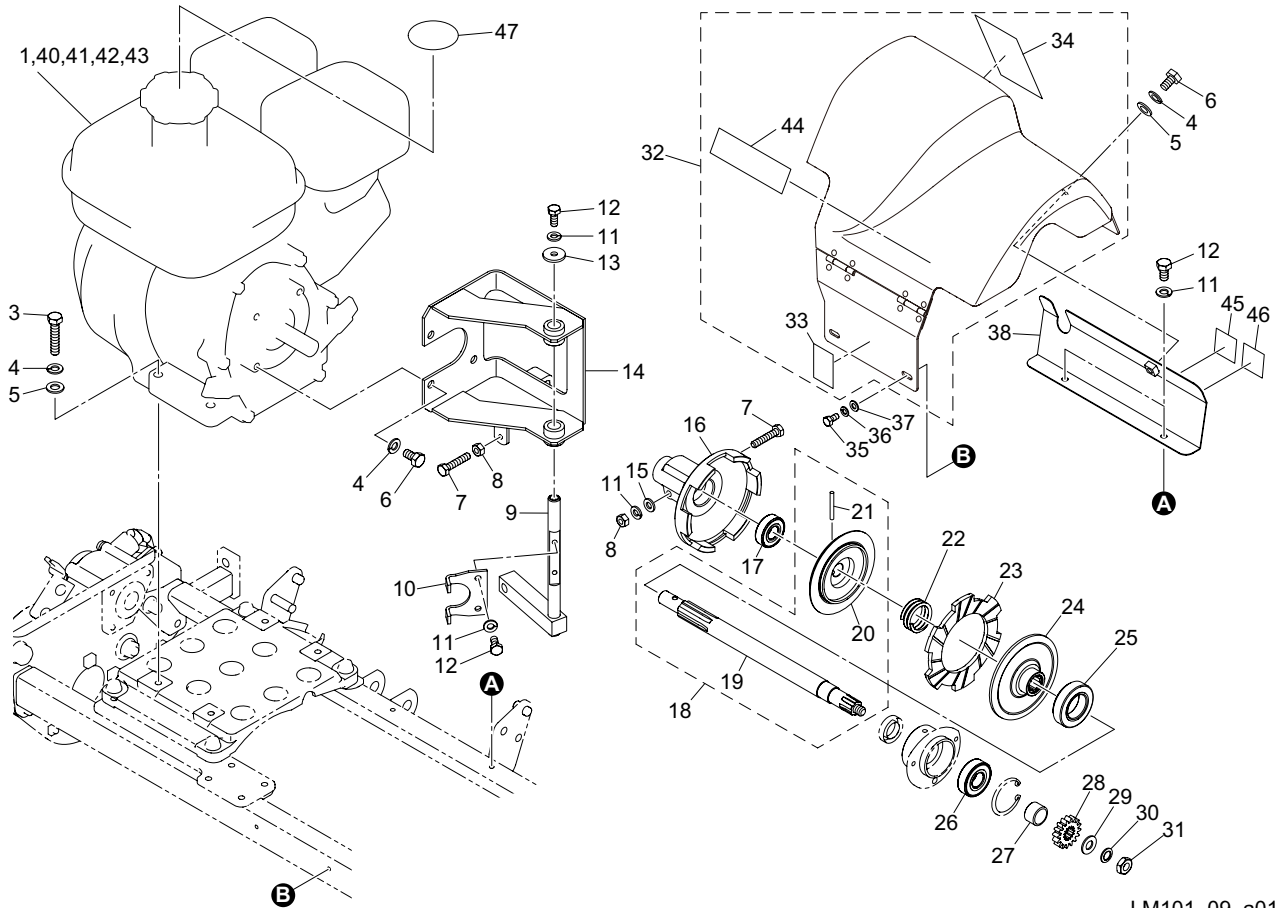
LM101\_08\_z00

| Cat No. | Code No.      | Part name                           | Qty | Remark         | SN of application |
|---------|---------------|-------------------------------------|-----|----------------|-------------------|
| 8 - 31  | LM54GA-0223A0 | GEAR, 45-TEETH FOR WHEEL SHAFT (LH) | 1   |                |                   |
| 8 - 32  | K5010320282   | WASHER, SPCC 0.3-20-28              | 1   | FOR ADJUSTMENT |                   |
| 8 - 33  | K0401020001   | RING, RETAINING S M20               | 1   |                |                   |
| 8 - 34  | LM55GB-0208Z0 | PACKING, #3 SHAFT                   | 2   |                |                   |
| 8 - 35  | LM55GB-0217Z0 | RETAINER, BEARING                   | 1   |                |                   |
| 8 - 36  | K1440000020   | GREASE NIPPLE, C                    | 1   |                |                   |
| 8 - 37  | K5000060002   | WASHER, M6                          | 4   |                |                   |
| 8 - 38  | K0200060002   | WASHER, SPRING M6                   | 4   |                |                   |
| 8 - 39  | K0000060152   | BOLT, M6-15                         | 4   |                |                   |
|         |               |                                     |     |                |                   |
|         |               |                                     |     |                |                   |
|         |               |                                     |     |                |                   |
|         |               |                                     |     |                |                   |
|         |               |                                     |     |                |                   |



# 9. Engine & Clutch section

LM101

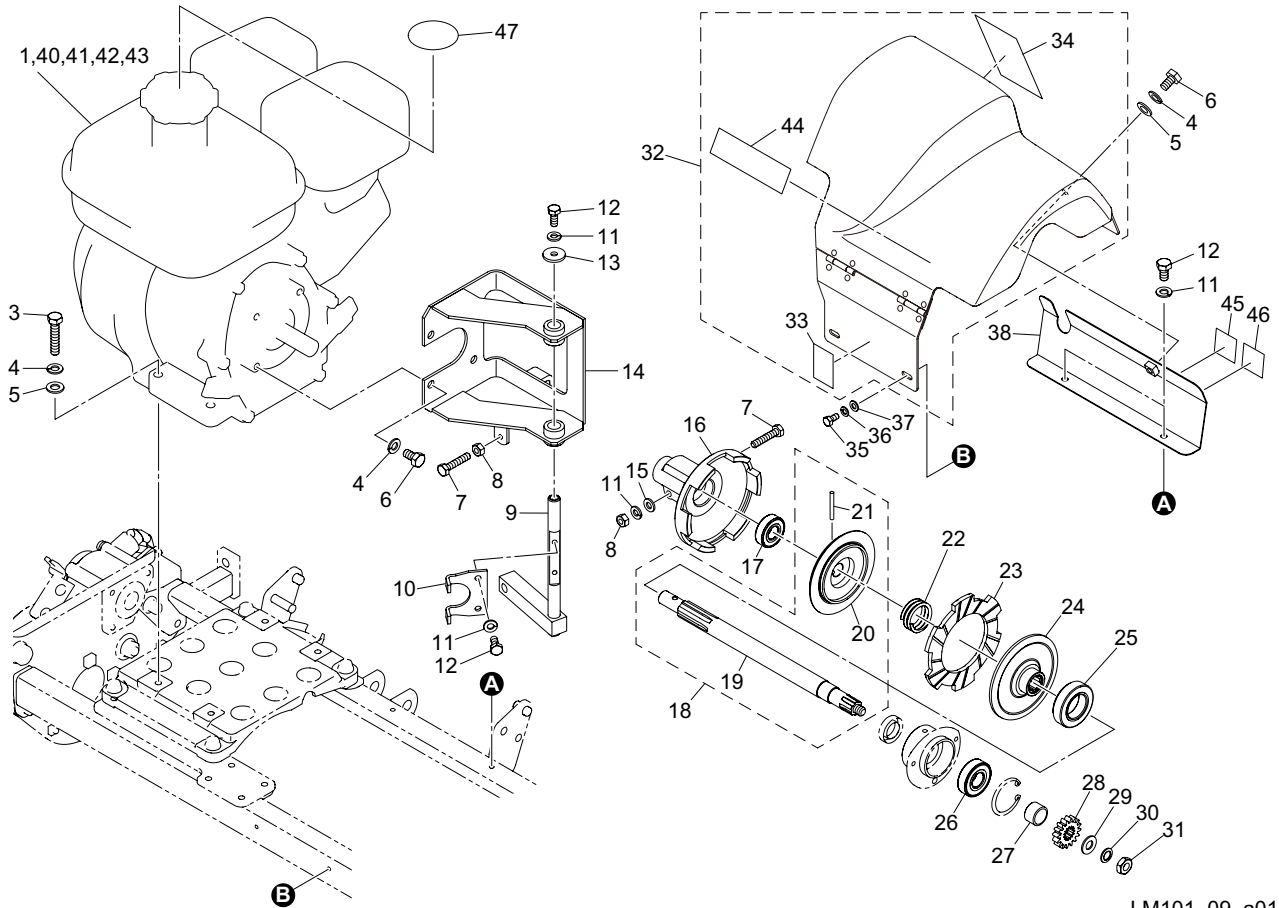


LM101\_09\_a01

| Cat No. | Code No.      | Part name                      | Qty | Remark | SN of application |
|---------|---------------|--------------------------------|-----|--------|-------------------|
| 9a- 1   | K2655000020   | ENGINE, HONDA GX120            | 1   |        |                   |
| 9a- 2   |               |                                |     |        |                   |
| 9 - 3   | K0000080352   | BOLT, M8-35                    | 4   |        |                   |
| 9a- 4   | K0200080002   | WASHER, SPRING M8              | 9   |        |                   |
| 9a- 5   | K5000080002   | WASHER, M8                     | 5   |        |                   |
| 9a- 6   | K0000080152   | BOLT, M8-15                    | 5   |        |                   |
| 9 - 7   | K0000060302   | BOLT, M6-30                    | 2   |        |                   |
| 9 - 8   | K0100060002   | NUT, M6                        | 2   |        |                   |
| 9 - 9   | LM56G--2202Z2 | LEVER, CLUTCH S                | 1   |        |                   |
| 9 - 10  | LM56G--2203Z2 | PLATE, RETAINING S             | 1   |        |                   |
| 9 - 11  | K0200060002   | WASHER, SPRING M6              | 6   |        |                   |
| 9 - 12  | K0000060152   | BOLT, M6-15                    | 5   |        |                   |
| 9 - 13  | K5012306202   | WASHER, SPCC 2.3-6-20          | 1   |        |                   |
| 9 - 14  | LM101--0301ZD | CASE, CLUTCH 54                | 1   |        |                   |
| 9 - 15  | K5000060002   | WASHER, M6                     | 1   |        |                   |
| 9 - 16  | K6911000050   | CLUTCH, ENGINE                 | 1   |        |                   |
| 9 - 17  | K0616062020   | BEARING, BALL SEAL 2NSEC3 6202 | 1   |        |                   |
| 9 - 18  | LM54GB-0308Z0 | SHAFT ASSY, CLUTCH 54          | 1   |        |                   |
| 9 - 19  | LM54GB-0307Z2 | SHAFT, ENGINE CLUTCH           | 1   |        |                   |
| 9 - 20  | K6911000043   | HOLDER, CLUTCH FADING 15       | 1   |        |                   |
| 9 - 21  | K0310050402   | PIN, TAPERED M5-40             | 1   |        |                   |
| 9 - 22  | K1000000160   | SPRING, COMPRESSION M3.5-34-15 | 1   |        |                   |
| 9 - 23  | K1810000030   | LINING, CLUTCH FADING          | 1   |        |                   |
| 9 - 24  | K6911000092   | PLATE, CLUTCH                  | 1   |        |                   |
| 9 - 25  | K0659000020   | BEARING, RELEASE RCT 2850      | 1   |        |                   |
| 9 - 26  | K0616062030   | BEARING, BALL SEAL 2NSEC3 6203 | 1   |        |                   |
| 9 - 27  | K6212001060   | COLLAR, STKM M17.1-22-14       | 1   |        |                   |
| 9 - 28  | K6180000140   | GEAR, SPLINED 16 TEETH         | 1   |        |                   |
| 9 - 29  | K5000100002   | WASHER, M10                    | 1   |        |                   |
| 9 - 30  | K0214100002   | WASHER, DISK SPRING L M10-2    | 1   |        |                   |

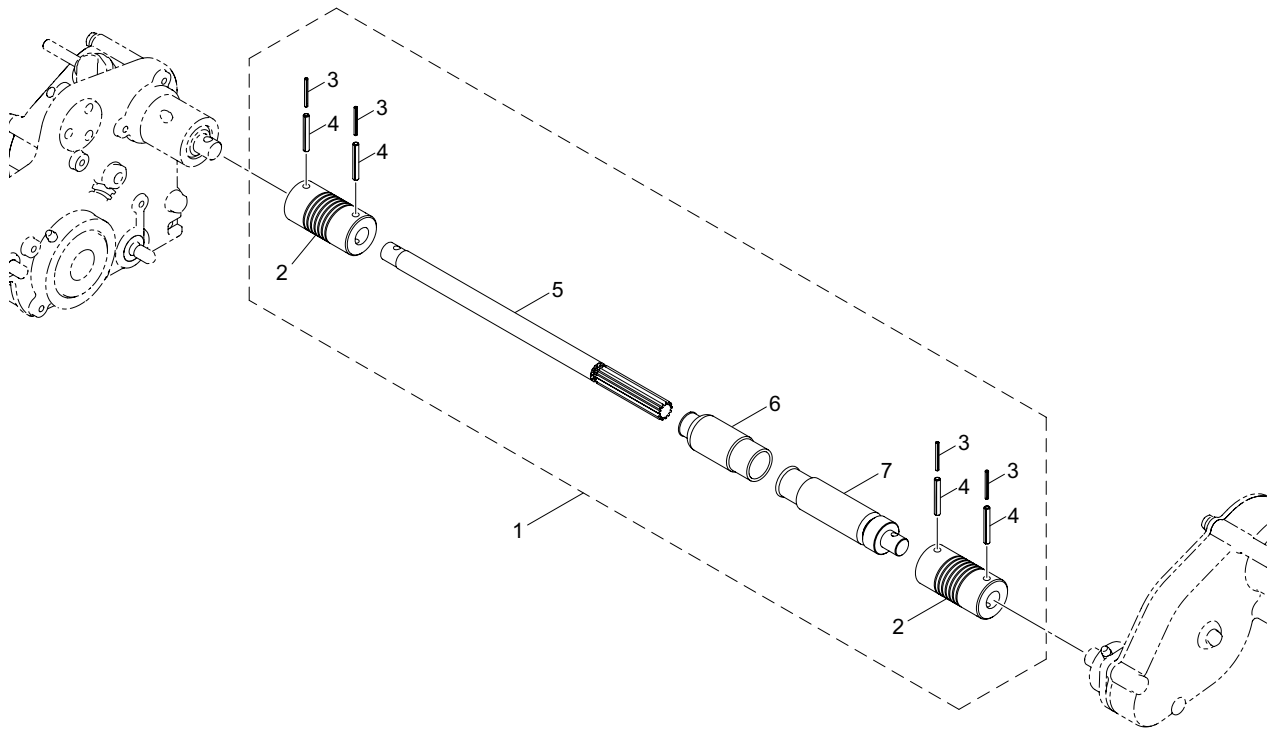
# 9. Engine & Clutch section

LM101



LM101\_09\_a01

| Cat No. | Code No.         | Part name                   | Qty | Remark | SN of application |
|---------|------------------|-----------------------------|-----|--------|-------------------|
| 9 - 31  | K0160000282      | NUT, P1 OH1 M10-3           | 1   |        |                   |
| 9 - 32  | LM101--0302Z0    | COVER ASSY, CLUTCH          | 1   |        |                   |
| 9 - 33  | K4205001760      | DECAL, CAUTION PTO          | 1   |        |                   |
| 9 - 34  | K4205002150      | DECAL, CAUTION HANDLING     | 1   |        |                   |
| 9 - 35  | K0000050102      | BOLT, M5-10                 | 2   |        |                   |
| 9 - 36  | K0200050002      | WASHER, SPRING M5           | 2   |        |                   |
| 9 - 37  | K5000050002      | WASHER, M5                  | 2   |        |                   |
| 9 - 38  | LM101--0305ZD    | RECEIVER, COVER             | 1   |        |                   |
| 9a- 39  |                  |                             |     |        |                   |
| 9a- 40  | PE920702112      | PLUG, SPARK (BPR4ES) (NGK)  | 1   |        |                   |
| 9a- 41  | PBH17210-ZE0-505 | ELEMENT, AIR CLEANER (DUAL) | 1   |        |                   |
| 9a- 42  | PBH17218-ZE0-505 | FILTER, OUTER               | 1   |        |                   |
| 9a- 43  | PBH17232-891-000 | GROMMET, AIR CLEANER        | 1   |        |                   |
| 9 - 44  | K4201000680      | STICKER, BARONESS 95        | 1   |        |                   |
| 9a- 45  | K4205001330      | DECAL, CAUTION TO NOISE     | 1   |        |                   |
| 9a- 46  | K4209000880      | DECAL, NOISE LEVEL LWA 98   | 1   |        |                   |
| 9 - 47  | K4205001300      | DECAL, WARNING ENGINE OIL   | 1   |        |                   |
|         |                  |                             |     |        |                   |
|         |                  |                             |     |        |                   |

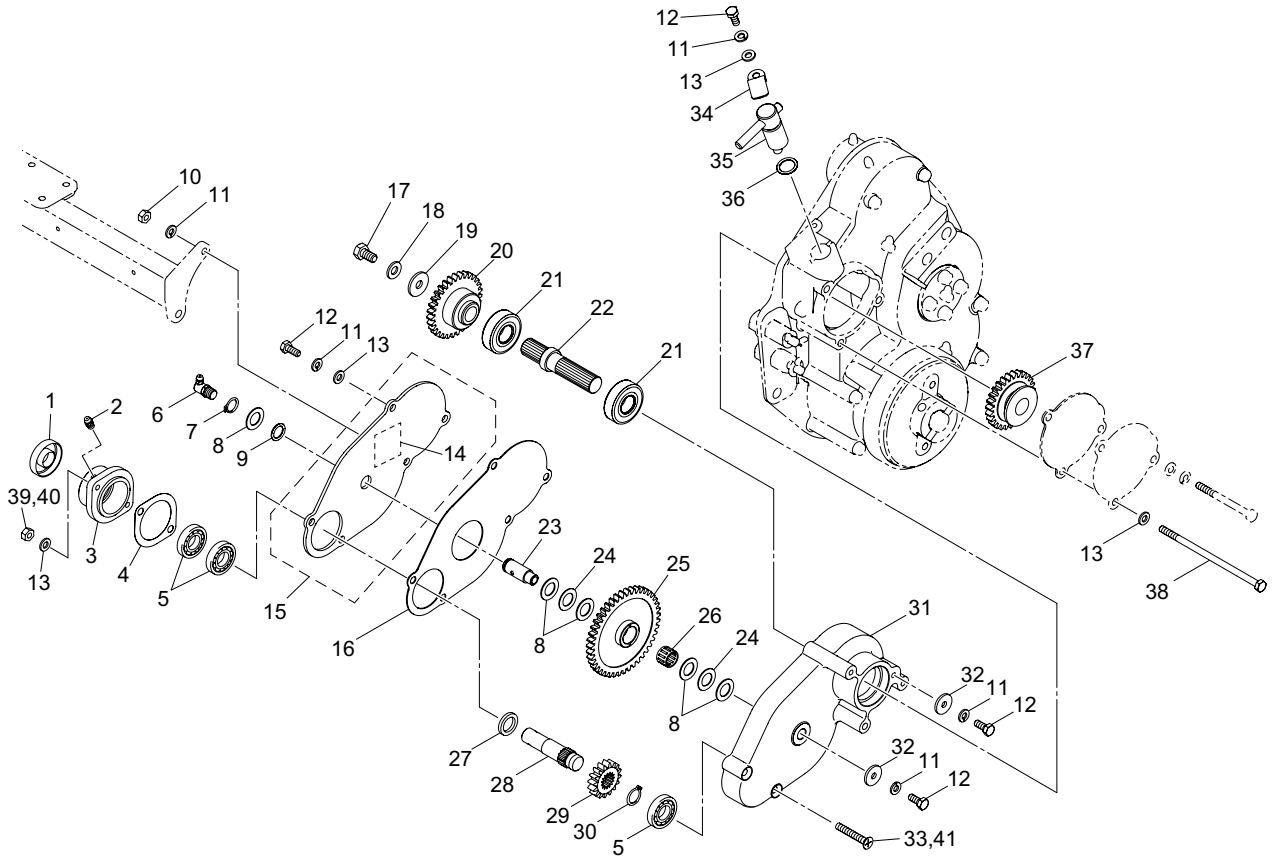


LM101\_10\_z00

| Cat No. | Code No.      | Part name              | Qty | Remark | SN of application |
|---------|---------------|------------------------|-----|--------|-------------------|
| 10 - 1  | LM101--0410Z0 | JOINT ASSY             | 1   |        |                   |
| 10 - 2  | K1620000340   | COUPLING               | 2   |        |                   |
| 10 - 3  | K0320025251   | PIN, SPRING M2.5-25    | 4   |        |                   |
| 10 - 4  | K0320040321   | PIN, SPRING M4-32      | 4   |        |                   |
| 10 - 5  | LM54G--0402A9 | SHAFT, SPLINE          | 1   |        |                   |
| 10 - 6  | K4032000030   | RUBBER, TUBE 24-250    | 1   |        |                   |
| 10 - 7  | LM54G--0401BD | SLEEVE, SPLINED W/BOSS | 1   |        |                   |
|         |               |                        |     |        |                   |
|         |               |                        |     |        |                   |
|         |               |                        |     |        |                   |
|         |               |                        |     |        |                   |
|         |               |                        |     |        |                   |

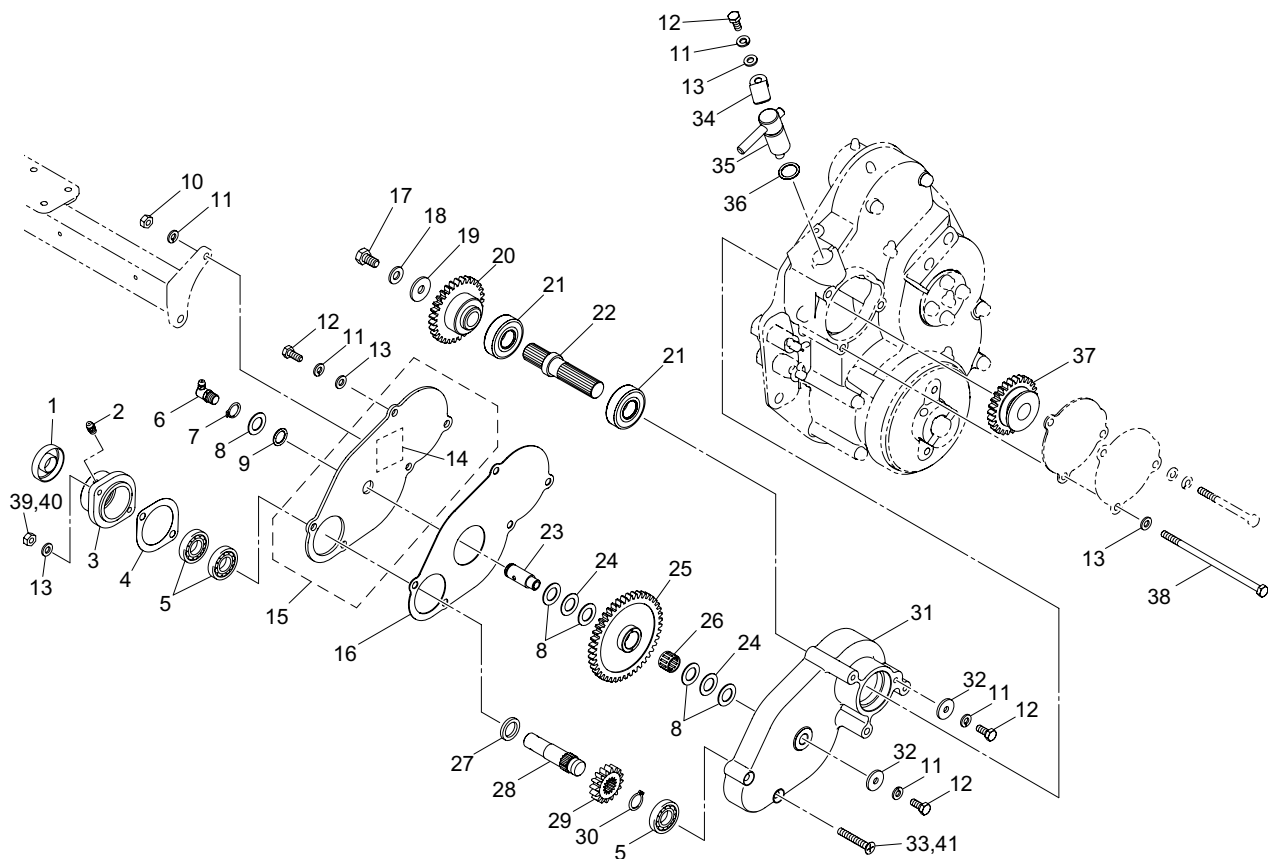
# 11. Mower transmission case section

LM101



LM101\_11\_z01

| Cat No. | Code No.      | Part name                      | Qty | Remark | SN of application |
|---------|---------------|--------------------------------|-----|--------|-------------------|
| 11 - 1  | K0851535080   | OIL SEAL, PJN15358             | 1   |        |                   |
| 11 - 2  | K1440000010   | GREASE NIPPLE, A TYPE          | 1   |        |                   |
| 11 - 3  | LM101--0502A2 | HOUSING                        | 1   |        |                   |
| 11 - 4  | LM101--0507Z0 | PACKING, HOUSING               | 1   |        |                   |
| 11 - 5  | K0601060020   | BEARING, BALL C3 6002          | 3   |        |                   |
| 11 - 6  | K1440000040   | GREASE NIPPLE, C TYPE PT1/8    | 1   |        |                   |
| 11 - 7  | K0401013001   | RING, RETAINING S M13          | 1   |        |                   |
| 11 - 8  | K5051013220   | WASHER, C5191P 1-13-22         | 5   |        |                   |
| 11 - 9  | K0880012500   | O-RING, P12.5                  | 1   |        |                   |
| 11 - 10 | K0100060002   | NUT, M6                        | 1   |        |                   |
| 11 - 11 | K0200060002   | WASHER, SPRING M6              | 6   |        |                   |
| 11 - 12 | K0000060152   | BOLT, M6-15                    | 5   |        |                   |
| 11 - 13 | K5000060002   | WASHER, M6                     | 6   |        |                   |
| 11 - 14 | K4209000370   | DECAL, GREASING EACH 10-HOURS  | 1   |        |                   |
| 11 - 15 | LM101--0511Z0 | PLATE, W/ MARK                 | 1   |        |                   |
| 11 - 16 | LM101--0505Z0 | PACKING                        | 1   |        |                   |
| 11 - 17 | K0000080152   | BOLT, M8-15                    | 1   |        |                   |
| 11 - 18 | K0213080002   | WASHER, DISK SPRING H M8-1     | 1   |        |                   |
| 11 - 19 | K5012308242   | WASHER, SPCC 2.3-8-24          | 1   |        |                   |
| 11 - 20 | LM54G--0504Z0 | GEAR, 31-TEETH                 | 1   |        |                   |
| 11 - 21 | K0616062030   | BEARING, BALL SEAL 2NSEC3 6203 | 2   |        |                   |
| 11 - 22 | LM54G--0503Z0 | SHAFT, #1                      | 1   |        |                   |
| 11 - 23 | LM54G--0505A0 | COUNTERSHAFT                   | 1   |        |                   |
| 11 - 24 | K5020813220   | WASHER, NBS55 0.8-13-22        | 2   |        |                   |
| 11 - 25 | LM101--0506Z0 | GEAR, 43 TEETH                 | 1   |        |                   |
| 11 - 26 | K0701317120   | BEARING, NEEDLE CAGE KT 131712 | 1   |        |                   |
| 11 - 27 | K6210000470   | COLLAR, 15.2-223               | 1   |        |                   |
| 11 - 28 | LM101--0501Z8 | SHAFT, TRANSMISSION            | 1   |        |                   |
| 11 - 29 | K6180000140   | GEAR, SPLINED 16 TEETH         | 1   |        |                   |
| 11 - 30 | K0401015001   | RING, RETAINING S M15          | 1   |        |                   |

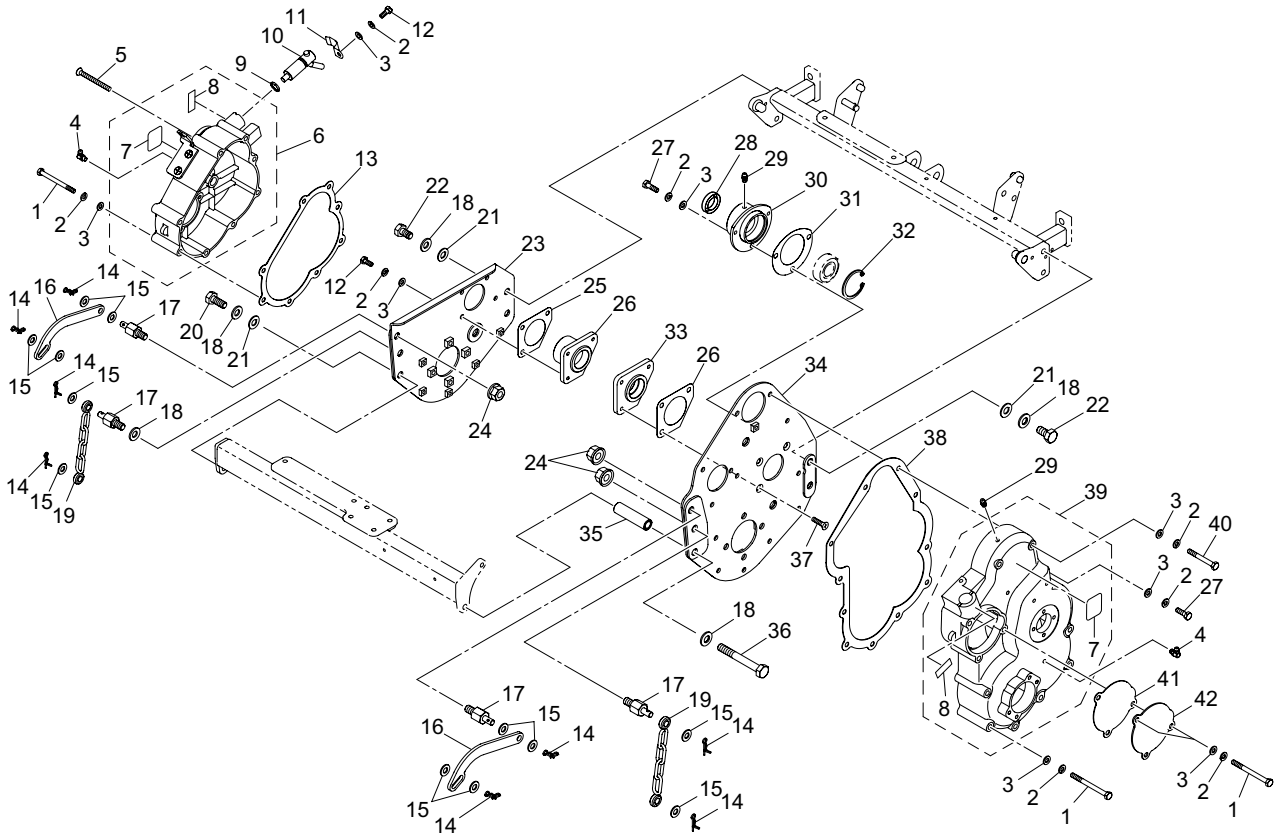


LM101\_11\_z01

| Cat No. | Code No.      | Part name                | Qty | Remark | SN of application |
|---------|---------------|--------------------------|-----|--------|-------------------|
| 11 - 31 | LM101--0503Z0 | GEARCASE                 | 1   |        |                   |
| 11 - 32 | K5012306202   | WASHER, SPCC 2.3-6-20    | 2   |        |                   |
| 11 - 33 | K0041060402   | SCREW, + FLAT HEAD M6-40 | 2   |        | -10136            |
| 11 - 34 | K1090000058   | SPRING, CLUTCH RETAINER  | 1   |        |                   |
| 11 - 35 | K7321000093   | HANDLE, CLUTCH           | 1   |        |                   |
| 11 - 36 | K0880015000   | O-RING, P15              | 1   |        |                   |
| 11 - 37 | LM54G--0512Z0 | GEAR, 27-TEETH           | 1   |        |                   |
| 11 - 38 | K0003061302   | BOLT, M6-130             | 1   |        |                   |
| 11 - 39 | K0102060002   | NUT, M6-3                | 2   |        | 10096-10136       |
| 11 - 40 | K0144060002   | NUT, W/F-RING M6         | 2   |        | 10137-            |
| 11 - 41 | K0041060452   | SCREW, + FLAT HEAD M6-45 | 2   |        | 10137-            |
|         |               |                          |     |        |                   |
|         |               |                          |     |        |                   |
|         |               |                          |     |        |                   |
|         |               |                          |     |        |                   |

# 12. Frame section

LM101

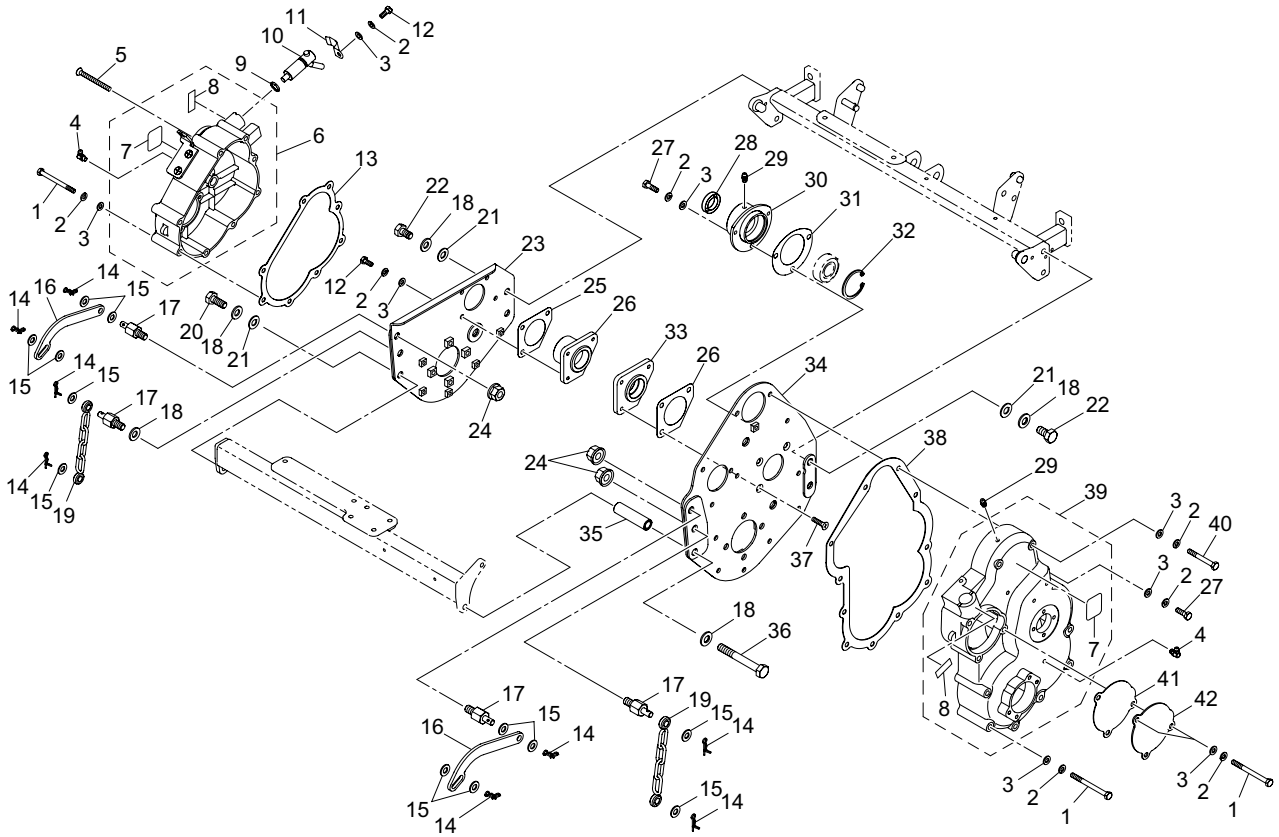


LM101\_12\_z00

| Cat No. | Code No.      | Part name                     | Qty | Remark | SN of application |
|---------|---------------|-------------------------------|-----|--------|-------------------|
| 12 - 1  | K0000060702   | BOLT, M6-70                   | 15  |        |                   |
| 12 - 2  | K0200060002   | WASHER, SPRING M6             | 21  |        |                   |
| 12 - 3  | K5000060002   | WASHER, M6                    | 21  |        |                   |
| 12 - 4  | K1440000020   | GREASE NIPPLE, C              | 3   |        |                   |
| 12 - 5  | K0041060652   | SCREW, + FLAT HEAD M 6-65     | 1   |        |                   |
| 12 - 6  | LM101--0602Z0 | COVER, FRAME W/ MARK (RH)     | 1   |        |                   |
| 12 - 7  | K4209000370   | DECAL, GREASING EACH 10-HOURS | 2   |        |                   |
| 12 - 8  | K4203001140   | STICKER, ON/OFF A             | 2   |        |                   |
| 12 - 9  | K0880012500   | O-RING, P12.5                 | 1   |        |                   |
| 12 - 10 | LM54G--0618Z3 | HANDLE, CLUTCH                | 1   |        |                   |
| 12 - 11 | K1090000058   | SPRING, CLUTCH RETAINER       | 1   |        |                   |
| 12 - 12 | K0000060152   | BOLT, M6-15                   | 2   |        |                   |
| 12 - 13 | LM54G--0606Z0 | PACKING, (RH)                 | 1   |        |                   |
| 12 - 14 | K0340800002   | PIN, SNAP W/RETAINER M8       | 8   |        |                   |
| 12 - 15 | K5000080002   | WASHER, M8                    | 12  |        |                   |
| 12 - 16 | LM101--0603Z3 | SUPPORT, MOWER                | 2   |        |                   |
| 12 - 17 | LM54G--0614Z3 | BOLT, HOLDING CHAIN           | 4   |        |                   |
| 12 - 18 | K0213100002   | WASHER, DISK SPRING H M10-1   | 7   |        |                   |
| 12 - 19 | LM54G--0617Z0 | CHAIN                         | 2   |        |                   |
| 12 - 20 | K0000100252   | BOLT, M10-25                  | 1   |        |                   |
| 12 - 21 | K5000100002   | WASHER, M10                   | 5   |        |                   |
| 12 - 22 | K0000100202   | BOLT, M10-20                  | 4   |        |                   |
| 12 - 23 | LM54G--0602A3 | FRAME, (RH)                   | 1   |        |                   |
| 12 - 24 | K0143100002   | NUT, W/DISC S M10             | 3   |        |                   |
| 12 - 25 | LM54G--0609Z0 | GASKET, DIFF HOUSING          | 2   |        |                   |
| 12 - 26 | LM54G--0612ZD | HOUSING, DIFF (RH)            | 1   |        |                   |
| 12 - 27 | K0000060202   | BOLT, M6-20                   | 2   |        |                   |
| 12 - 28 | K0811930070   | OIL SEAL, MHS19307            | 1   |        |                   |
| 12 - 29 | K1440000010   | GREASE NIPPLE, A TYPE         | 2   |        |                   |
| 12 - 30 | LM54GA-0608Z3 | HOUSING, #1 SHAFT             | 1   |        |                   |

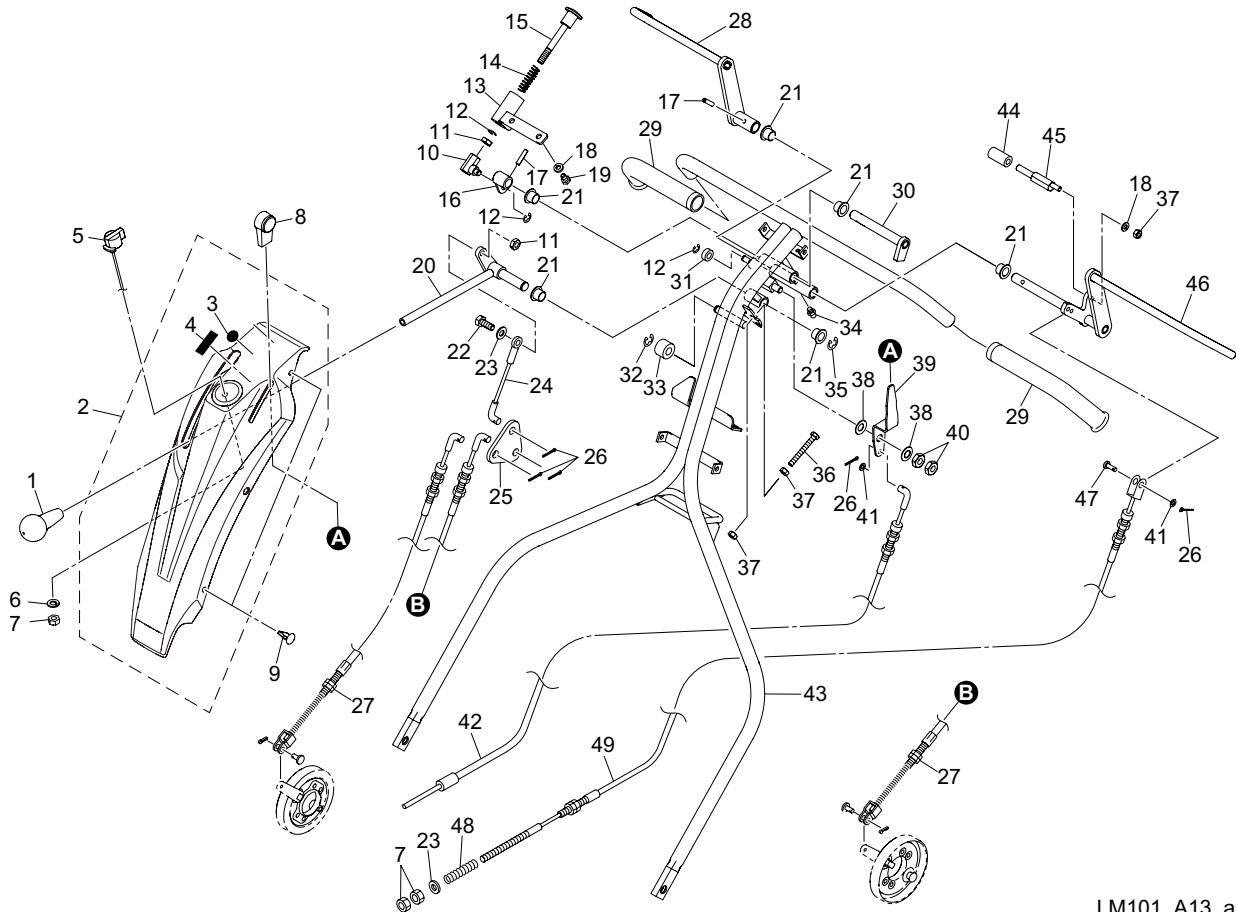
# 12. Frame section

LM101



LM101\_12\_z00

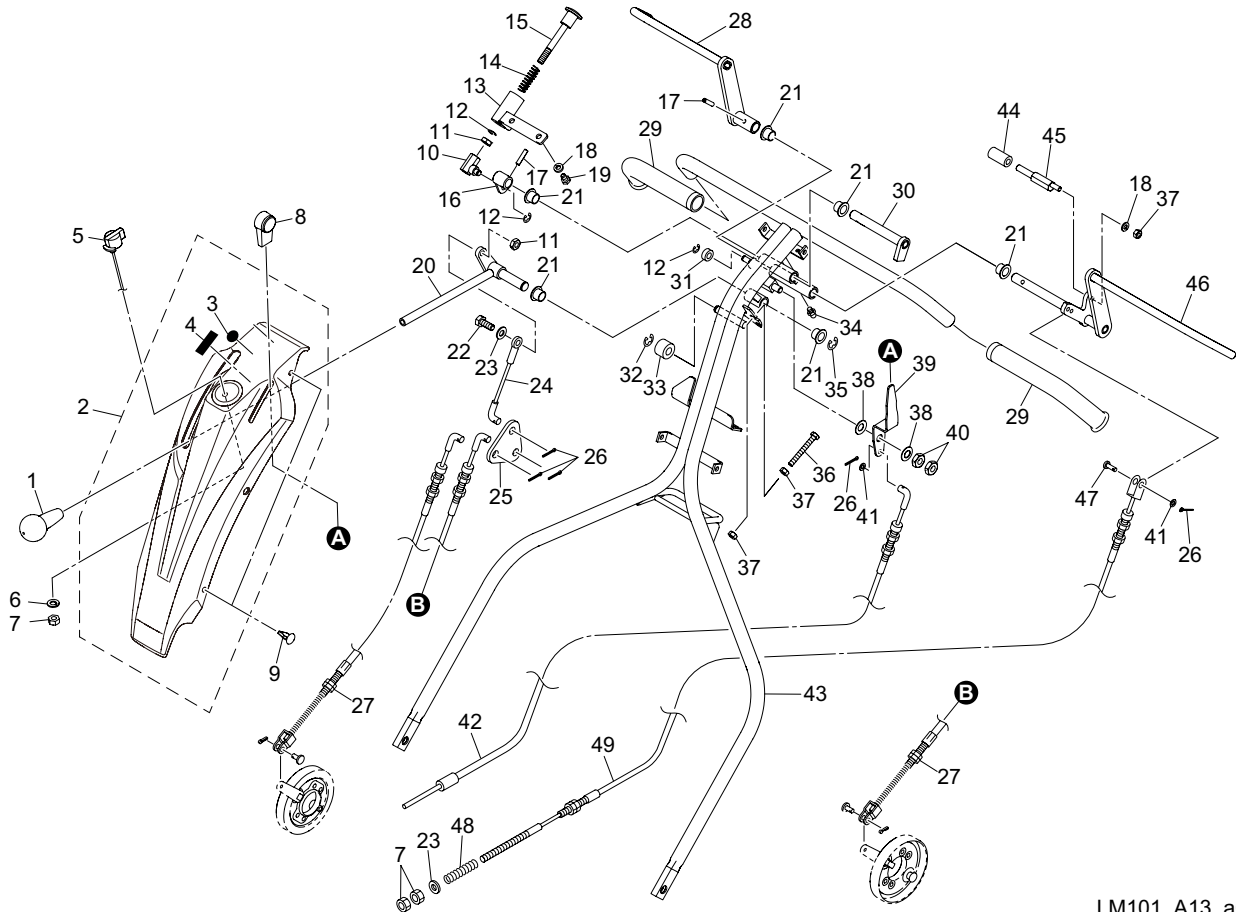
| Cat No. | Code No.      | Part name                  | Qty | Remark | SN of application |
|---------|---------------|----------------------------|-----|--------|-------------------|
| 12 - 31 | LM54G--0607Z0 | PACKING, #1 SHAFT          | 1   |        |                   |
| 12 - 32 | K0402040001   | RING, RETAINING R M40      | 1   |        |                   |
| 12 - 33 | LM54G--0610ZD | HOUSING, DIFF (LH)         | 1   |        |                   |
| 12 - 34 | LM54G--0601B3 | FRAME, (LH)                | 1   |        |                   |
| 12 - 35 | K6212002643   | COLLAR, STKM M10.2-165-9.8 | 1   |        |                   |
| 12 - 36 | K0000100802   | BOLT, M10-80               | 1   |        |                   |
| 12 - 37 | K0041060122   | SCREW, + FLAT HEAD M6-12   | 3   |        |                   |
| 12 - 38 | LM54G--0603A0 | PACKING, LARGE             | 1   |        |                   |
| 12 - 39 | LM101--0601Z0 | COVER, FRAME W/ MARK (LH)  | 1   |        |                   |
| 12 - 40 | K0000060502   | BOLT, M6-50                | 2   |        |                   |
| 12 - 41 | LM54G--0620Z0 | PACKING                    | 1   |        |                   |
| 12 - 42 | LM54G--0619ZD | COVER                      | 1   |        |                   |
|         |               |                            |     |        |                   |
|         |               |                            |     |        |                   |
|         |               |                            |     |        |                   |
|         |               |                            |     |        |                   |



LM101\_A13\_a00

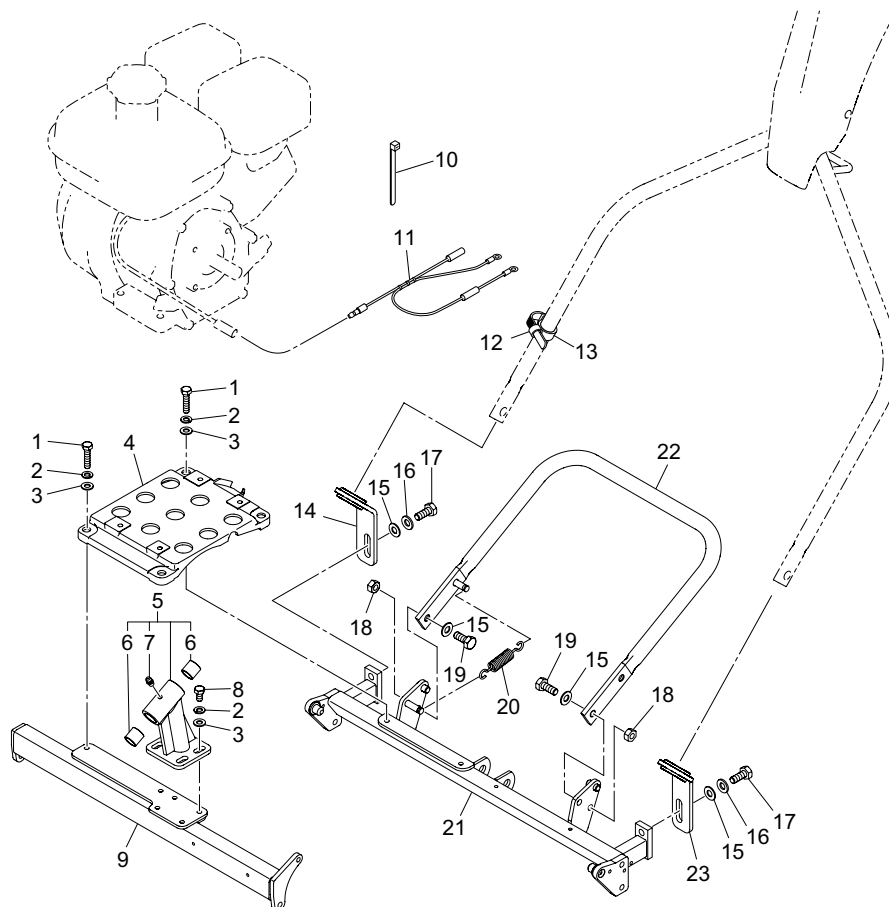
| Cat No.  | Code No.      | Part name                    | Qty | Remark | SN of application |
|----------|---------------|------------------------------|-----|--------|-------------------|
| A13 - 1  | K1300000050   | GRIP, RUBBER RED 9-35.5      | 1   |        |                   |
| A13 - 2  | LM101--2706Z0 | COVER, HANDLE U W/MARK       | 1   |        |                   |
| A13 - 3  | K4209001200   | DECAL, BRAKE                 | 1   |        |                   |
| A13 - 4  | K4203000700   | DECAL, ACCELERATOR           | 1   |        |                   |
| A13 - 5  | K3662000050   | SWITCH, TOGGLE FOR ENGINE    | 1   |        |                   |
| A13 - 6  | K0200080002   | WASHER, SPRING M8            | 1   |        |                   |
| A13 - 7  | K0100080002   | NUT, M8                      | 3   |        |                   |
| A13 - 8  | K1320000150   | KNOB, W/PLUG                 | 1   |        |                   |
| A13 - 9  | K4021000030   | CLIP, ANCHOR                 | 4   |        |                   |
| A13 - 10 | LM56GB-2608Z2 | NUT, HIGH, W/SHAFT           | 1   |        |                   |
| A13 - 11 | K0102080002   | NUT, M8-3                    | 2   |        |                   |
| A13 - 12 | K0400006002   | RING, RETAINING E M6         | 3   |        |                   |
| A13 - 13 | LM56GB-2606Z2 | MOUNT, SWITCH                | 1   |        |                   |
| A13 - 14 | K1000000938   | SPRING, COMPRESSION M1-12-40 | 1   |        |                   |
| A13 - 15 | LM56GB-2607Z2 | SWITCH, RELEASING LOCK       | 1   |        |                   |
| A13 - 16 | LM56GB-2605Z2 | CONNECTOR                    | 1   |        |                   |
| A13 - 17 | K0320050221   | PIN, SPRING M5-22            | 2   |        |                   |
| A13 - 18 | K0200060002   | WASHER, SPRING M6            | 3   |        |                   |
| A13 - 19 | K0000060102   | BOLT, M6-10                  | 2   |        |                   |
| A13 - 20 | LM56GB-2602Z2 | LEVER, BRAKE                 | 1   |        |                   |
| A13 - 21 | K6010000170   | BUSH, FLANGED 12-14-10       | 6   |        |                   |
| A13 - 22 | K0000080202   | BOLT, M8-20                  | 1   |        |                   |
| A13 - 23 | K5000080002   | WASHER, M8                   | 2   |        |                   |
| A13 - 24 | K1120010000   | WIRE, BRAKE 100              | 1   |        |                   |
| A13 - 25 | LM101--2702Z2 | PLATE, CONNECTING WIRE       | 1   |        |                   |
| A13 - 26 | K0300020122   | PIN, COTTER M2-12            | 5   |        |                   |
| A13 - 27 | K1120113010   | WIRE, BRAKE 1130             | 2   |        |                   |
| A13 - 28 | LM56GB-2611ZD | LEVER, CLUTCH (RH)           | 1   |        |                   |
| A13 - 29 | K1300000250   | GRIP, RUBBER BLACK 22-256    | 2   |        |                   |
| A13 - 30 | LM56GB-2604A2 | STOPPER                      | 1   |        |                   |





LM101\_A13\_a00

| Cat No.  | Code No.      | Part name                        | Qty | Remark | SN of application |
|----------|---------------|----------------------------------|-----|--------|-------------------|
| A13 - 31 | K4031000290   | RUBBER, 7.5-15-5.5               | 1   |        |                   |
| A13 - 32 | K0400008002   | RING, RETAINING E M8             | 1   |        |                   |
| A13 - 33 | K4031000100   | STOPPER, RUBBER                  | 1   |        |                   |
| A13 - 34 | K1440000070   | GREASE NIPPLE                    | 3   |        |                   |
| A13 - 35 | K0400009002   | RING, RETAINING E M9             | 1   |        |                   |
| A13 - 36 | K0000060502   | BOLT, M6-50                      | 1   |        |                   |
| A13 - 37 | K0100060002   | NUT, M6                          | 2   |        |                   |
| A13 - 38 | K0210100002   | SPRING, CONICAL DISC L M10       | 2   |        |                   |
| A13 - 39 | LM56GB-2603Z2 | LEVER, THROTTLE                  | 1   |        |                   |
| A13 - 40 | K0102100002   | NUT, M10-3                       | 2   |        |                   |
| A13 - 41 | K5000050002   | WASHER, M5                       | 2   |        |                   |
| A13 - 42 | K1110100010   | WIRE, THROTTLE 1000              | 1   |        |                   |
| A13 - 43 | LM101--2701ZD | HANDLE, U 54                     | 1   |        |                   |
| A13 - 44 | K3180000400   | RUBBER, STOPPER                  | 1   |        |                   |
| A13 - 45 | LM56GB-2609Z2 | SHAFT, STOPPER                   | 1   |        |                   |
| A13 - 46 | LM56GB-2610ZD | LEVER, CLUTCH (LH)               | 1   |        |                   |
| A13 - 47 | K6030050152   | PIN, FLAT HEAD M5-15             | 1   |        |                   |
| A13 - 48 | K100000082D   | SPRING, COMPRESSION M2.6-17.2-70 | 1   |        |                   |
| A13 - 49 | K1130116000   | WIRE, CLUTCH 1160                | 1   |        |                   |
|          |               |                                  |     |        |                   |
|          |               |                                  |     |        |                   |

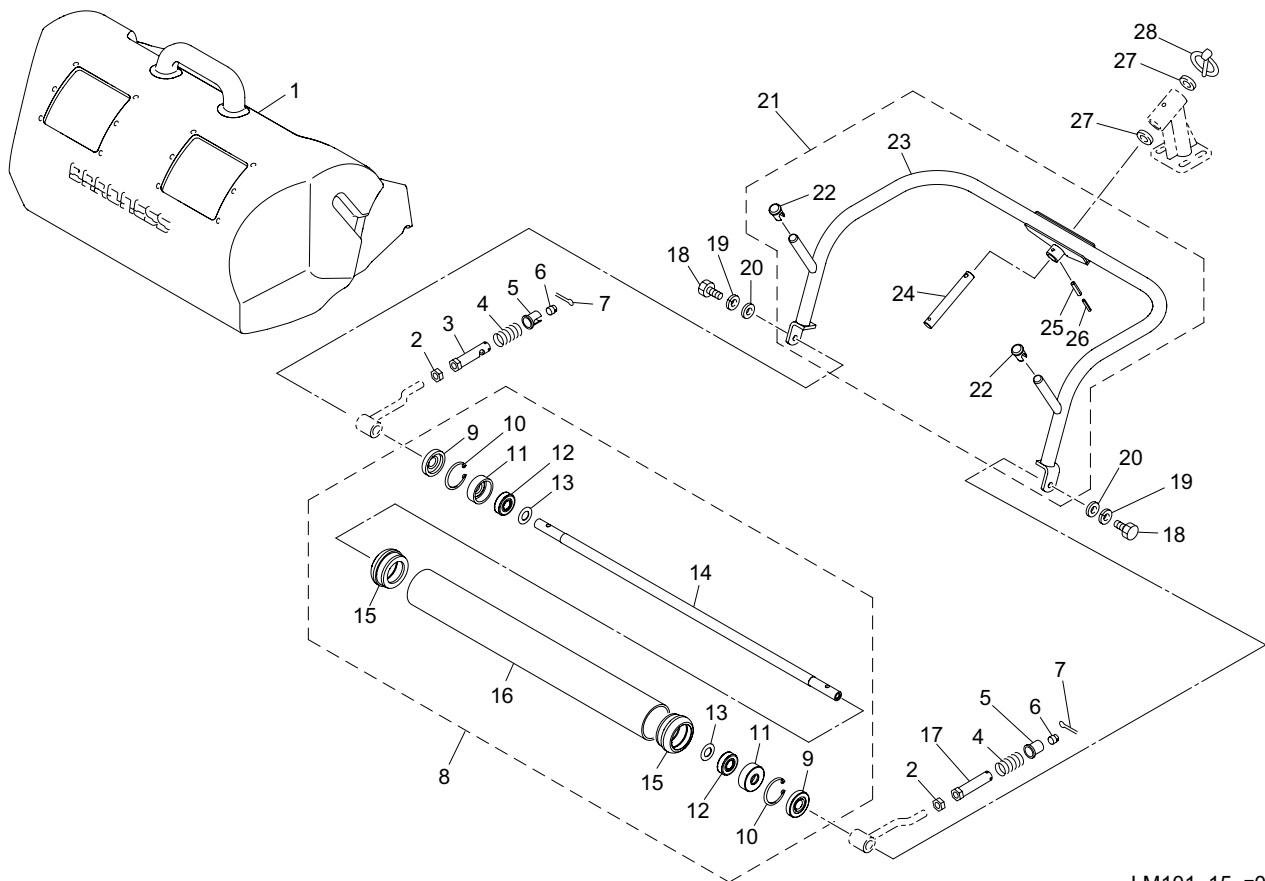


LM101\_14\_z00

| Cat No. | Code No.      | Part name                         | Qty | Remark | SN of application |
|---------|---------------|-----------------------------------|-----|--------|-------------------|
| 14 - 1  | K0000080302   | BOLT, M8-30                       | 4   |        |                   |
| 14 - 2  | K0200080002   | WASHER, SPRING M8                 | 8   |        |                   |
| 14 - 3  | K5000080002   | WASHER, M8                        | 8   |        |                   |
| 14 - 4  | LM54GA-0727A0 | BASE, ENGINE 106                  | 1   |        |                   |
| 14 - 5  | LM54G--0719CD | HITCH, MOUNTING ARM               | 1   |        |                   |
| 14 - 6  | K6000000240   | BUSH, 17-20-19                    | 2   |        |                   |
| 14 - 7  | K1440000010   | GREASE NIPPLE, A TYPE             | 1   |        |                   |
| 14 - 8  | K0000080152   | BOLT, M8-15                       | 4   |        |                   |
| 14 - 9  | LM54G--0713ZR | STAY, FRAME FRONT                 | 1   |        |                   |
| 14 - 10 | K4241000040   | BAND, PLASTIC CV-200B             | 1   |        |                   |
| 14 - 11 | K3620000550   | LINE, ENGINE SWITCH 8A            | 1   |        |                   |
| 14 - 12 | K4241000070   | TUBE, URETHANE 7                  | 3   |        |                   |
| 14 - 13 | K4241000010   | BAND, NYLON 140                   | 3   |        |                   |
| 14 - 14 | LM55GB-0716E0 | ADJUSTER, HANDLE (RH)             | 1   |        |                   |
| 14 - 15 | K5000100002   | WASHER, M10                       | 4   |        |                   |
| 14 - 16 | K0213100002   | WASHER, DISK SPRING H M10-1       | 2   |        |                   |
| 14 - 17 | K0010100252   | BOLT, HT M10-25                   | 2   |        |                   |
| 14 - 18 | K0100100002   | NUT, M10                          | 2   |        |                   |
| 14 - 19 | K0000100252   | BOLT, M10-25                      | 2   |        |                   |
| 14 - 20 | K1020000198   | SPRING, W/ROUND HOOK M2.6-15.5-84 | 1   |        |                   |
| 14 - 21 | LM101--0714ZR | STAY, REAR FRAME                  | 1   |        |                   |
| 14 - 22 | LM56G--0708AD | STAND                             | 1   |        |                   |
| 14 - 23 | LM55GB-0715E0 | ADJUSTER, HANDLE (LH)             | 1   |        |                   |
|         |               |                                   |     |        |                   |

# 15. Grass catcher section

LM101

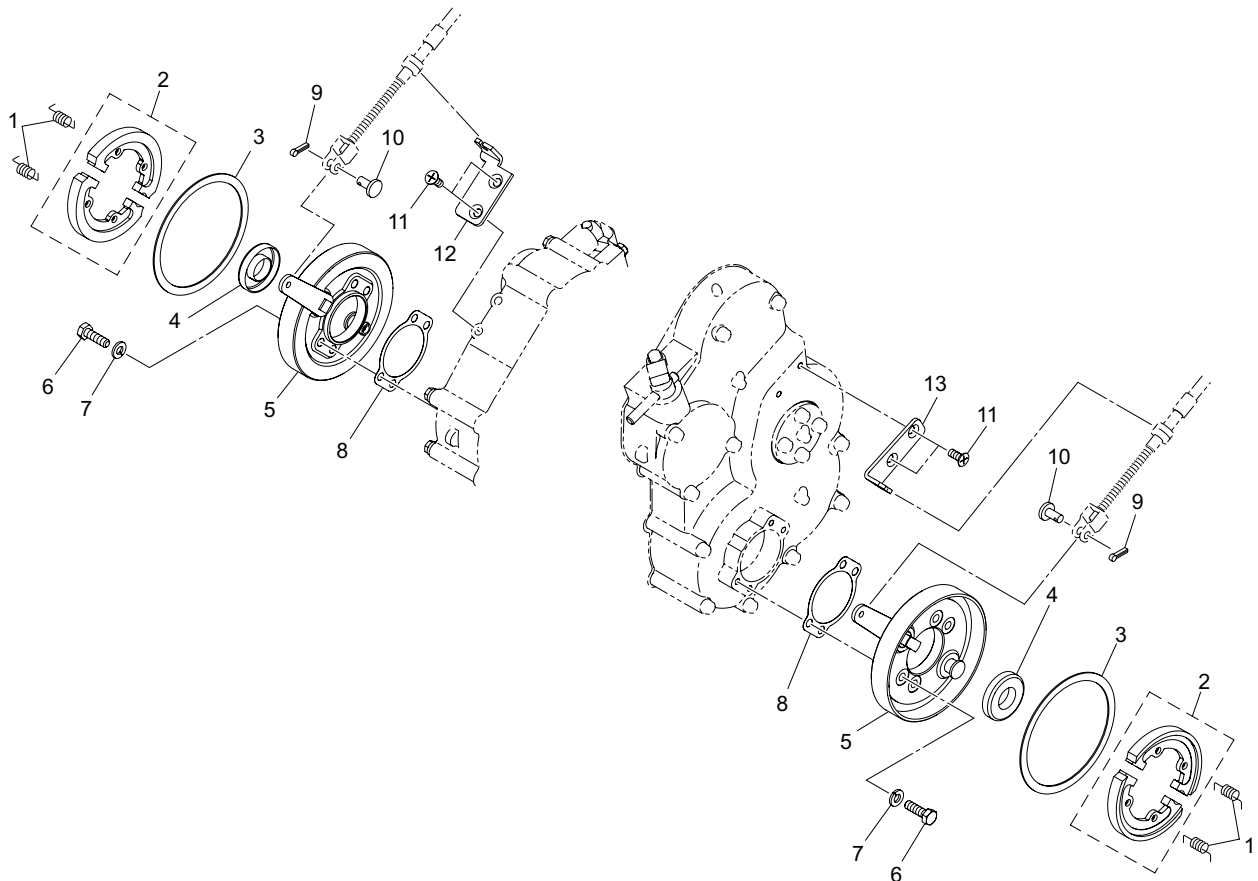


LM101\_15\_z00

| Cat No. | Code No.      | Part name                      | Qty | Remark | SN of application |
|---------|---------------|--------------------------------|-----|--------|-------------------|
| 15 - 1  | LM101--0820Z0 | GRASS CATCHER COMP             | 1   |        |                   |
| 15 - 2  | K0160000282   | NUT, P1 OH1 M10-3              | 2   |        |                   |
| 15 - 3  | LM54G--0805Z9 | PIPE, (RH)                     | 1   |        |                   |
| 15 - 4  | K1000000678   | SPRING, COMPRESSION M1-18-43   | 2   |        |                   |
| 15 - 5  | LM54G--0808Z9 | STOPPER                        | 2   |        |                   |
| 15 - 6  | LM54G--0806Z3 | SCREW, RETAINING               | 2   |        |                   |
| 15 - 7  | K0302025250   | PIN, COTTER SUS M2.5-25        | 2   |        |                   |
| 15 - 8  | LM54G--0810B0 | ROLLER ASSY, 590               | 1   |        |                   |
| 15 - 9  | K0861000020   | OIL SEAL, TA1542.38            | 2   |        |                   |
| 15 - 10 | K0402042001   | RING, RETAINING R M42          | 2   |        |                   |
| 15 - 11 | K0861000030   | OIL SEAL, 6202                 | 2   |        |                   |
| 15 - 12 | K0616062020   | BEARING, BALL SEAL 2NSEC3 6202 | 2   |        |                   |
| 15 - 13 | K5051015280   | WASHER, C5191P 1-15-28         | 2   |        |                   |
| 15 - 14 | K6131000060   | SHAFT, TAPPED ROLLER 651       | 1   |        |                   |
| 15 - 15 | LM54GA-0812A0 | HOUSING, ROLLER 60             | 2   |        |                   |
| 15 - 16 | K6226000100   | PIPE, ROLLER M55-605-60        | 1   |        |                   |
| 15 - 17 | LM54G--0804Z9 | PIPE, (LH)                     | 1   |        |                   |
| 15 - 18 | K0000100302   | BOLT, M10-30                   | 2   |        |                   |
| 15 - 19 | K0200100002   | WASHER, SPRING M10             | 2   |        |                   |
| 15 - 20 | K5000100002   | WASHER, M10                    | 2   |        |                   |
| 15 - 21 | LM54G--0822Z0 | BRACKET COMP, BASKET           | 1   |        |                   |
| 15 - 22 | K1310000060   | CAP, 12.7                      | 2   |        |                   |
| 15 - 23 | LM54G--0824Z0 | BRACKET, GRASS CATCHER         | 1   |        |                   |
| 15 - 24 | LM54G--0825A8 | SHAFT, ARM                     | 1   |        |                   |
| 15 - 25 | K0320050251   | PIN, SPRING M5-25              | 1   |        |                   |
| 15 - 26 | K0320030251   | PIN, SPRING M3-25              | 1   |        |                   |
| 15 - 27 | K5051017280   | WASHER, C5191P 1-17-28         | 2   |        |                   |
| 15 - 28 | K6061060002   | PIN, CLIP M6                   | 1   |        |                   |

# 16. Brake section

LM101

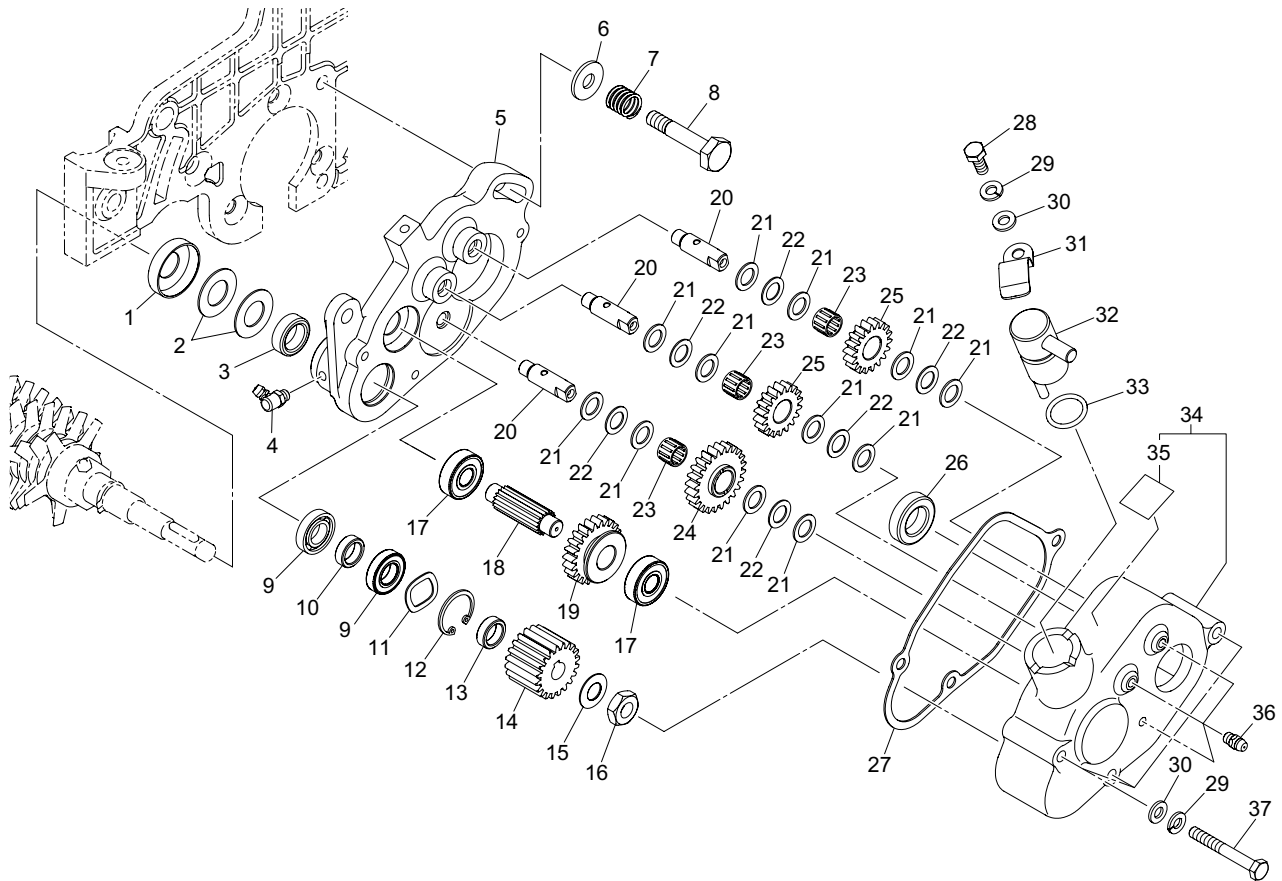


LM101\_16\_z00

| Cat No. | Code No.      | Part name                | Qty | Remark | SN of application |
|---------|---------------|--------------------------|-----|--------|-------------------|
| 16 - 1  | K1040000010   | SPRING, W/HOOK M1.6-8-45 | 4   |        |                   |
| 16 - 2  | K1725000040   | SHOE ASSY, BRAKE 100     | 2   |        |                   |
| 16 - 3  | K4009000010   | PACKING, FELT 1-96-110   | 2   |        |                   |
| 16 - 4  | K0852042080   | OIL SEAL, PJN20428       | 2   |        |                   |
| 16 - 5  | LM55GB-1102Z2 | PLATE, MOUNTING BRAKE    | 2   |        |                   |
| 16 - 6  | K0000060202   | BOLT, M6-20              | 8   |        |                   |
| 16 - 7  | K0200060002   | WASHER, SPRING M6        | 8   |        |                   |
| 16 - 8  | LM55GB-1101Z0 | PACKING                  | 2   |        |                   |
| 16 - 9  | K0300020202   | PIN, COTTER M2-20        | 2   |        |                   |
| 16 - 10 | K6030050152   | PIN, FLAT HEAD M5-15     | 2   |        |                   |
| 16 - 11 | K0041060152   | SCREW, + FLAT HEAD M6-15 | 4   |        |                   |
| 16 - 12 | LM54G--1112Z3 | BRACKET, BRAKE WIRE (RH) | 1   |        |                   |
| 16 - 13 | LM55GB-1113A3 | BRACKET, BRAKE WIRE (LH) | 1   |        |                   |
|         |               |                          |     |        |                   |
|         |               |                          |     |        |                   |
|         |               |                          |     |        |                   |
|         |               |                          |     |        |                   |

# 17. Groomer section A

LM101

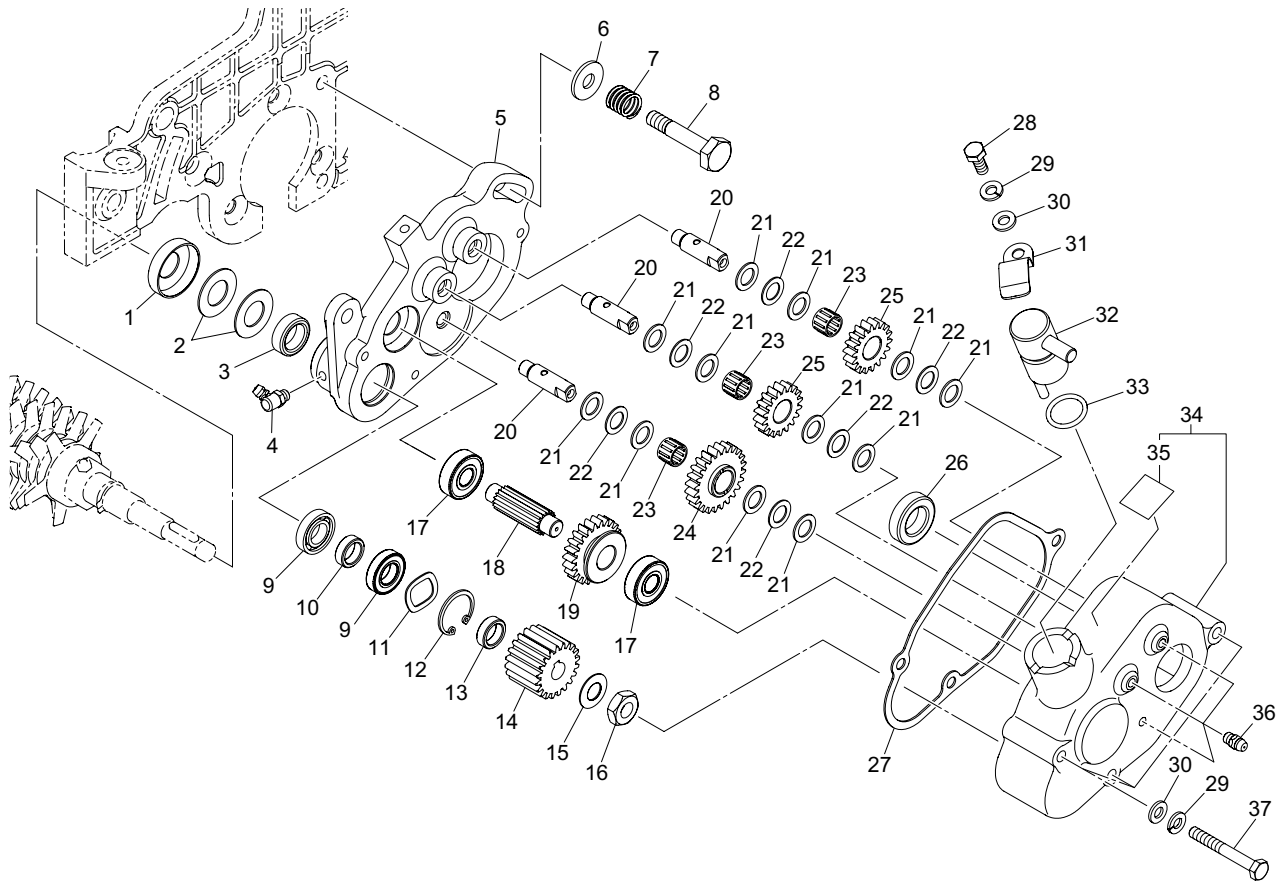


LM101\_17\_z00

| Cat No. | Code No.      | Part name                        | Qty | Remark | SN of application |
|---------|---------------|----------------------------------|-----|--------|-------------------|
| 17 - 1  | K5300000293   | COVER, DUST PROOF                | 1   |        |                   |
| 17 - 2  | K5051015280   | WASHER, C5191P 1-15-28           | 2   |        |                   |
| 17 - 3  | K0821522070   | OIL SEAL, MHSA15227              | 1   |        |                   |
| 17 - 4  | K1440000030   | GREASE NIPPLE, B                 | 1   |        |                   |
| 17 - 5  | LM101--1201Z0 | GEARCASE                         | 1   |        |                   |
| 17 - 6  | K5090000250   | WASHER, C5191P 2-8.5-22          | 1   |        |                   |
| 17 - 7  | K1000000309   | SPRING, COMPRESSION M1.6-13.7-20 | 1   |        |                   |
| 17 - 8  | LM54GAS1230Z3 | BOLT, CLAMPING CASE (LH)         | 1   |        |                   |
| 17 - 9  | K0611069010   | BEARING, BALL SEAL RDC3 6901     | 2   |        |                   |
| 17 - 10 | K6212002630   | COLLAR, STKM M12.1-17-5.6        | 1   |        |                   |
| 17 - 11 | K0220160110   | WASHER, WAVE 16011               | 1   |        |                   |
| 17 - 12 | K0402024001   | RING, RETAINING R M24            | 1   |        |                   |
| 17 - 13 | K6212001910   | COLLAR, STKM M12.1-17-6          | 1   |        |                   |
| 17 - 14 | LM101--1204Z0 | GEAR, 20 TEETH                   | 1   |        |                   |
| 17 - 15 | K0210100002   | SPRING, CONICAL DISC L M10       | 1   |        |                   |
| 17 - 16 | K0160000282   | NUT, P1 OH1 M10-3                | 1   |        |                   |
| 17 - 17 | K0608060000   | BEARING, BALL SEAL 2RS 6000      | 2   |        |                   |
| 17 - 18 | K6100000100   | SHAFT, CLUTCH                    | 1   |        |                   |
| 17 - 19 | K6180000150   | GEAR, SPLINED 23 TEETH           | 1   |        |                   |
| 17 - 20 | K6120000310   | COUNTERSHAFT, THREADED           | 3   |        |                   |
| 17 - 21 | K5051010160   | WASHER, C5191P 1-10-16           | 12  |        |                   |
| 17 - 22 | K5020810160   | WASHER, NBS55 0.8-10-16          | 6   |        |                   |
| 17 - 23 | K0701013100   | BEARING, NEEDLE CAGE KT 101310   | 3   |        |                   |
| 17 - 24 | K6186000050   | GEAR, 24 TEETH                   | 1   |        |                   |
| 17 - 25 | K6186000040   | GEAR, 18 TEETH B                 | 2   |        |                   |
| 17 - 26 | K0821628070   | OIL SEAL, MHSA16287              | 1   |        |                   |
| 17 - 27 | LM101--1203Z0 | PACKING, GEARCASE                | 1   |        |                   |
| 17 - 28 | K0000060102   | BOLT, M6-10                      | 1   |        |                   |
| 17 - 29 | K0200060002   | WASHER, SPRING M6                | 4   |        |                   |
| 17 - 30 | K5000060002   | WASHER, M6                       | 4   |        |                   |

# 17. Groomer section A

LM101

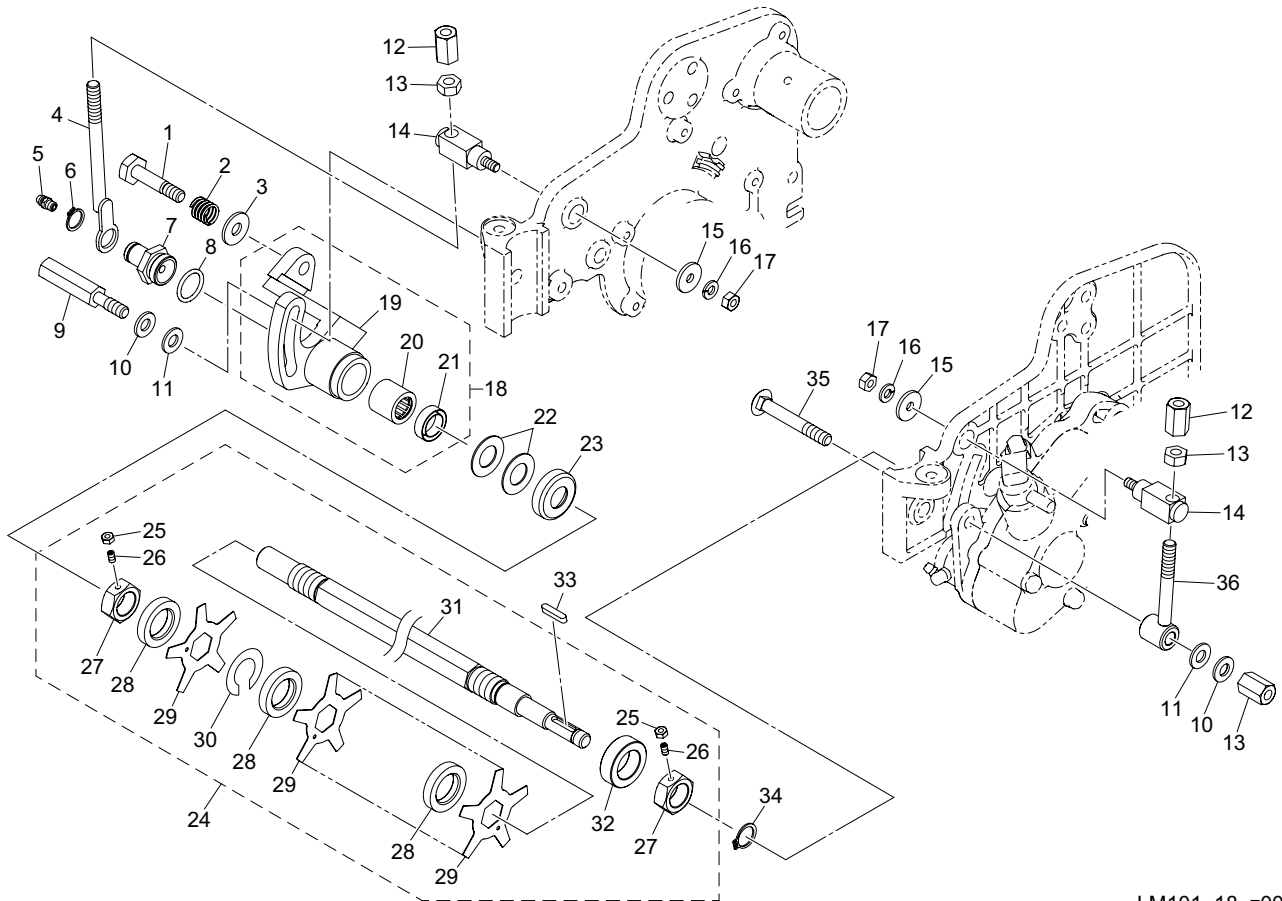


LM101\_17\_z00

| Cat No. | Code No.      | Part name                   | Qty | Remark | SN of application |
|---------|---------------|-----------------------------|-----|--------|-------------------|
| 17 - 31 | K1090000058   | SPRING, CLUTCH RETAINER     | 1   |        |                   |
| 17 - 32 | LM101--1207Z8 | LEVER, CLUTCH               | 1   |        |                   |
| 17 - 33 | K0880018000   | O-RING, P18                 | 1   |        |                   |
| 17 - 34 | LM101--1251Z0 | COVER, GEARCASE W/ MARK     | 1   |        |                   |
| 17 - 35 | K4203001120   | STICKER, GROOMER INDICATION | 1   |        |                   |
| 17 - 36 | K1440000010   | GREASE NIPPLE, A TYPE       | 3   |        |                   |
| 17 - 37 | K0000060502   | BOLT, M6-50                 | 3   |        |                   |
|         |               |                             |     |        |                   |
|         |               |                             |     |        |                   |
|         |               |                             |     |        |                   |
|         |               |                             |     |        |                   |
|         |               |                             |     |        |                   |

# 18. Groomer section B

LM101

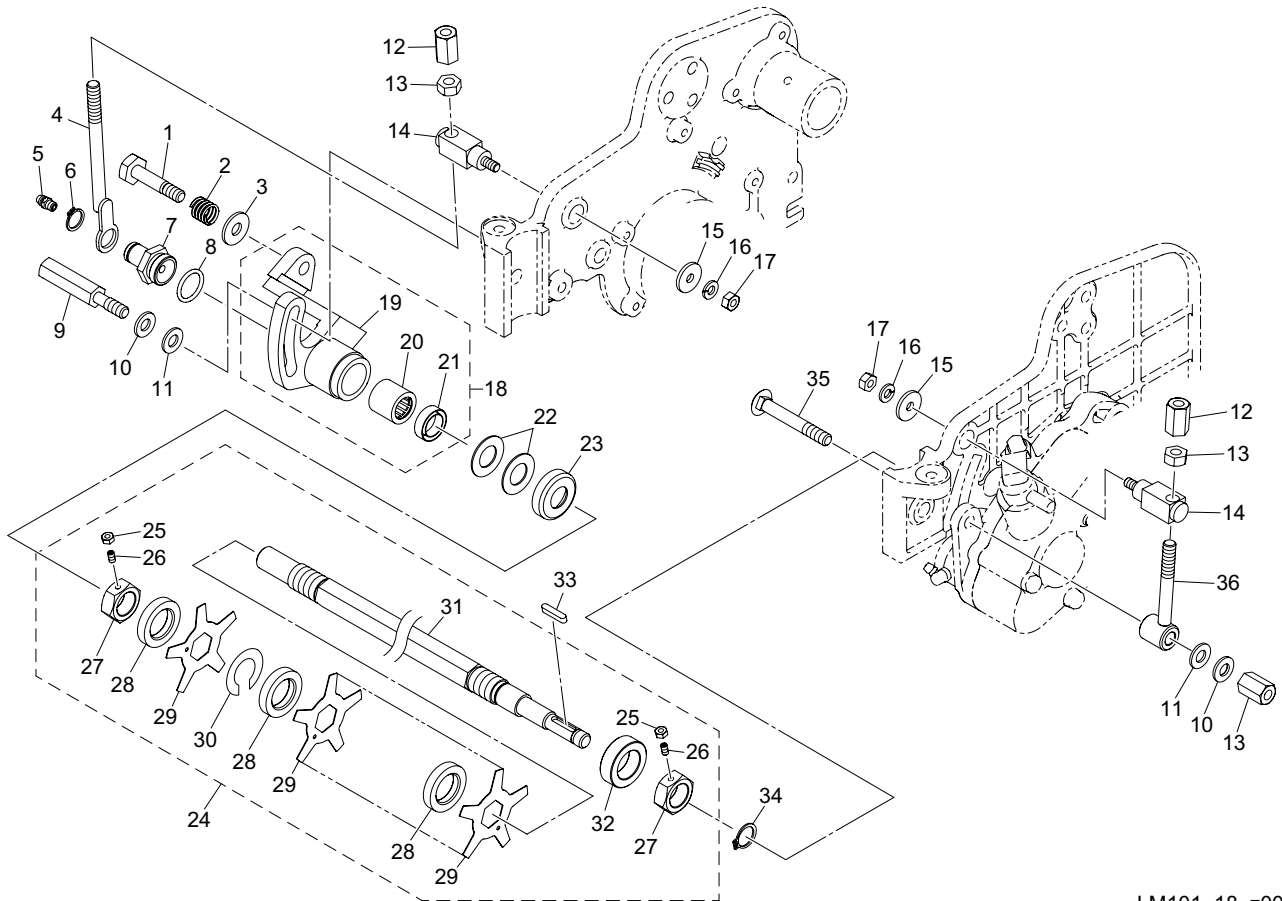


LM101\_18\_z00

| Cat No. | Code No.      | Part name                         | Qty  | Remark         | SN of application |
|---------|---------------|-----------------------------------|------|----------------|-------------------|
| 18 - 1  | K6083000143   | PIN, STEPPED FOR FIXING (RH) CASE | 1    |                |                   |
| 18 - 2  | K1000000309   | SPRING, COMPRESSION M1.6-13.7-20  | 1    |                |                   |
| 18 - 3  | K5090000250   | WASHER, C5191P 2-8.5-22           | 1    |                |                   |
| 18 - 4  | LM54GS-1229A3 | SCREW, MOUNTING                   | 1    |                |                   |
| 18 - 5  | K1440000010   | GREASE NIPPLE, A TYPE             | 1    |                |                   |
| 18 - 6  | K0401013001   | RING, RETAINING S M13             | 1    |                |                   |
| 18 - 7  | K6809000270   | SCREW                             | 1    |                |                   |
| 18 - 8  | K0880018000   | O-RING, P18                       | 1    |                |                   |
| 18 - 9  | K6081000062   | BOLT, 45                          | 1    |                |                   |
| 18 - 10 | K0213080002   | WASHER, DISK SPRING H M8-1        | 2    |                |                   |
| 18 - 11 | K5000080002   | WASHER, M8                        | 2    |                |                   |
| 18 - 12 | K0149083202   | NUT, HIGH M8-13-20                | 3    |                |                   |
| 18 - 13 | K0100080002   | NUT, M8                           | 2    |                |                   |
| 18 - 14 | LM54GAS1227Z3 | ADJUSTER                          | 2    |                |                   |
| 18 - 15 | K5012306202   | WASHER, SPCC 2.3-6-20             | 2    |                |                   |
| 18 - 16 | K0200060002   | WASHER, SPRING M6                 | 2    |                |                   |
| 18 - 17 | K0100060002   | NUT, M6                           | 2    |                |                   |
| 18 - 18 | LM101--1253Z0 | HOUSING ASSY, VERTICAL (RH)       | 1    |                |                   |
| 18 - 19 | LM54GS-1207A0 | HOUSING, VERTICAL (RH)            | 1    |                |                   |
| 18 - 20 | K0721520000   | BEARING, NEEDLE TA 1520 Z         | 1    |                |                   |
| 18 - 21 | K0821522070   | OIL SEAL, MHSA15227               | 1    |                |                   |
| 18 - 22 | K5051015280   | WASHER, C5191P 1-15-28            | 2    |                |                   |
| 18 - 23 | K5300000293   | COVER, DUST PROOF                 | 1    |                |                   |
| 18 - 24 | LM101--1252Z0 | GROOMER COMP, 77                  | 1    |                |                   |
| 18 - 25 | K0100040002   | NUT, M4                           | 2    |                |                   |
| 18 - 26 | K0023000041   | SETSCREW, M4-8                    | 2    |                |                   |
| 18 - 27 | K0160000602   | NUT, SPECIAL P1 M17 W/M4          | 2    |                |                   |
| 18 - 28 | K6214000030   | COLLAR, AC M19.7-32-6.1           | 77   |                |                   |
| 18 - 29 | K2570000019   | BLADE, VERTICAL 63                | 77   |                |                   |
| 18 - 30 | K5090000673   | WASHER, SPCC 0.5                  | 0~10 | FOR ADJUSTMENT |                   |

# 18. Groomer section B

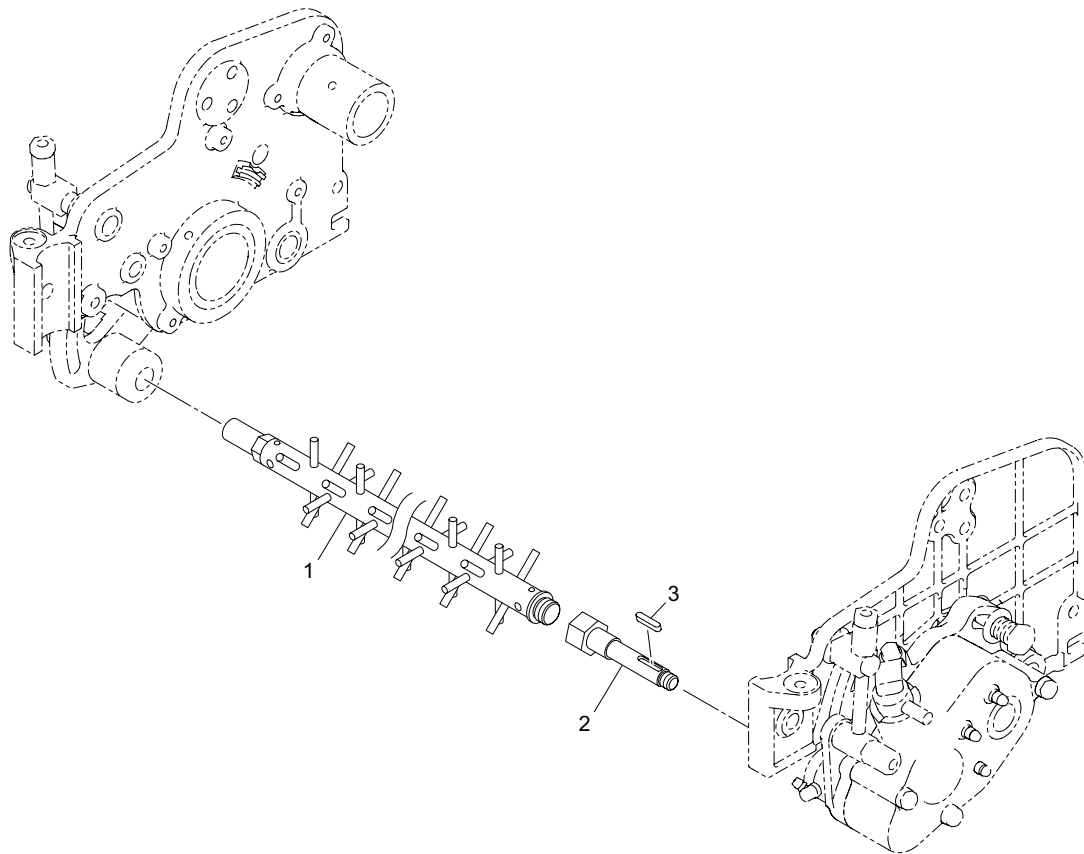
LM101



LM101\_18\_z00

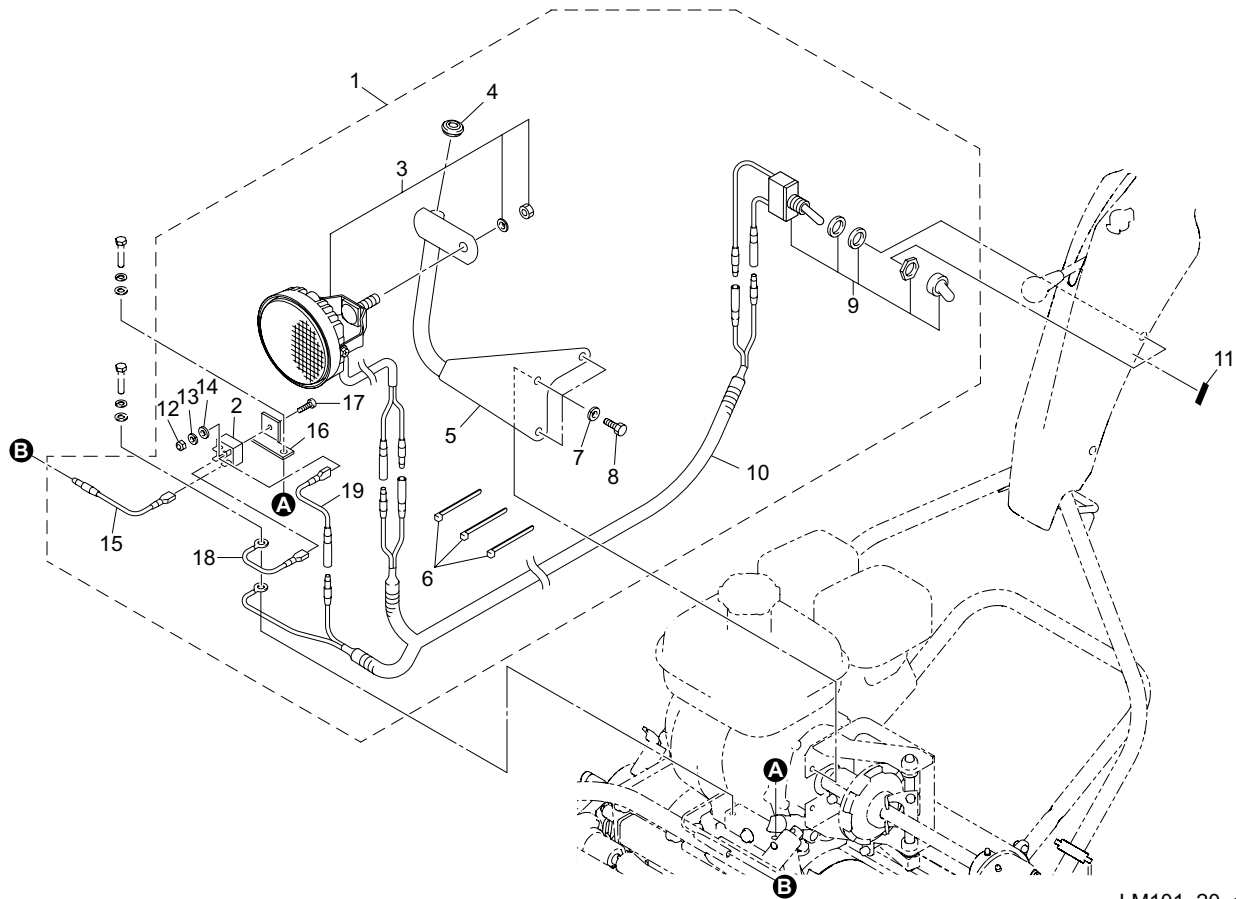
| Cat No. | Code No.      | Part name                          | Qty | Remark | SN of application |
|---------|---------------|------------------------------------|-----|--------|-------------------|
| 18 - 31 | LM101--1208Z8 | SHAFT, VERTICAL                    | 1   |        |                   |
| 18 - 32 | LM55GBS1204Z0 | COLLAR                             | 1   |        |                   |
| 18 - 33 | K0500404200   | KEY, BOTH ROUND M4-420             | 1   |        |                   |
| 18 - 34 | K0401015001   | RING, RETAINING S M15              | 1   |        |                   |
| 18 - 35 | K0025080552   | BOLT, ROUND HEAD SQUARE ROOT M8-55 | 1   |        |                   |
| 18 - 36 | LM54GS-1220A3 | STOPPER, (LH)                      | 1   |        |                   |
|         |               |                                    |     |        |                   |
|         |               |                                    |     |        |                   |
|         |               |                                    |     |        |                   |
|         |               |                                    |     |        |                   |
|         |               |                                    |     |        |                   |





LM101\_19\_z00

| Cat No. | Code No.      | Part name              | Qty | Remark | SN of application |
|---------|---------------|------------------------|-----|--------|-------------------|
| 19 - 1  | K4150000010   | SHAFT ASSY, BRUSH 15   | 1   |        |                   |
| 19 - 2  | LM101--1301Z8 | SHAFT, BRUSH (SMALL)   | 1   |        |                   |
| 19 - 3  | K0500404200   | KEY, BOTH ROUND M4-420 | 1   |        |                   |
|         |               |                        |     |        |                   |
|         |               |                        |     |        |                   |
|         |               |                        |     |        |                   |
|         |               |                        |     |        |                   |
|         |               |                        |     |        |                   |
|         |               |                        |     |        |                   |
|         |               |                        |     |        |                   |

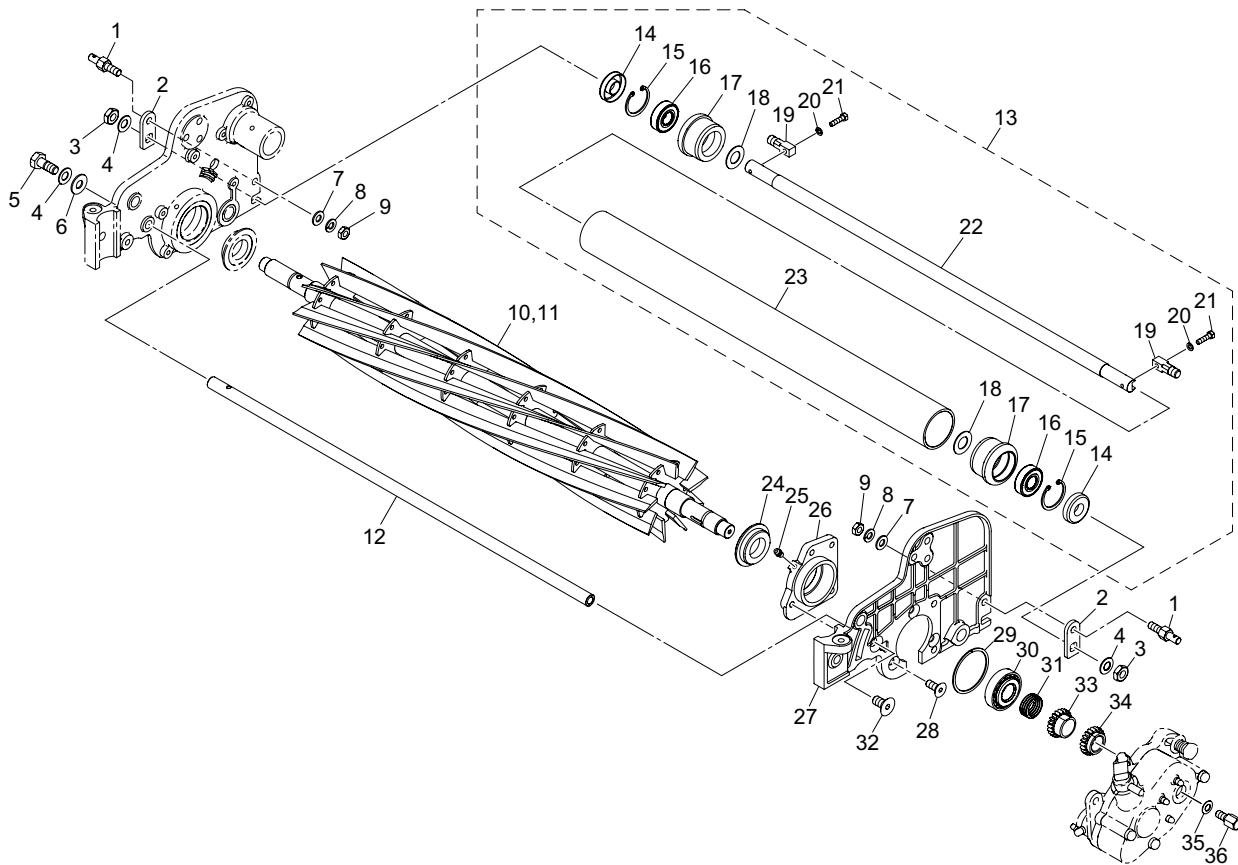


LM101\_20\_a00

| Cat No. | Code No.      | Part name                        | Qty | Remark | SN of application |
|---------|---------------|----------------------------------|-----|--------|-------------------|
| 20a- 1  | LM101--2350Z0 | LIGHT KIT, LED                   | 1   |        |                   |
| 20a- 2  | K3730000030   | DIODE, BRIDGE                    | 1   |        |                   |
| 20 - 3  | K3640000090   | LAMP, WORKING LED NS-2556        | 1   |        |                   |
| 20 - 4  | K0900300140   | GROMMET, W/SEALING C30SG14A      | 1   |        |                   |
| 20 - 5  | K735500071D   | BRACKET, HEAD LAMP               | 1   |        |                   |
| 20 - 6  | K4241000060   | BAND, PLASTIC CV-150B            | 3   |        |                   |
| 20 - 7  | K0200080002   | WASHER, SPRING M8                | 3   |        |                   |
| 20 - 8  | K0000080202   | BOLT, M8-20                      | 3   |        |                   |
| 20 - 9  | K3662000100   | SWITCH, TOGGLE FOR LAMP WD101181 | 1   |        |                   |
| 20 - 10 | K3620001060   | WIRE, SWITCH                     | 1   |        |                   |
| 20 - 11 | K4203001610   | DECAL, LIGHT SWITCH              | 1   |        |                   |
| 20a- 12 | K0144040002   | NUT, W/F-RING, M4                | 1   |        |                   |
| 20a- 13 | K0200040002   | WASHER, SPRING M4                | 1   |        |                   |
| 20a- 14 | K5000040002   | WASHER, M4                       | 1   |        |                   |
| 20a- 15 | LM101--2303Z0 | WIRE, 80                         | 1   |        |                   |
| 20a- 16 | LM101--2301Z2 | BRACKET, RECTIFIER               | 1   |        |                   |
| 20a- 17 | K0042040202   | SCREW, + ROUND HEAD M4-20        | 1   |        |                   |
| 20a- 18 | LM101--2302Z0 | WIRE, BLACK                      | 1   |        |                   |
| 20a- 19 | LM101--2304Z0 | WIRE, 100                        | 1   |        |                   |
|         |               |                                  |     |        |                   |
|         |               |                                  |     |        |                   |

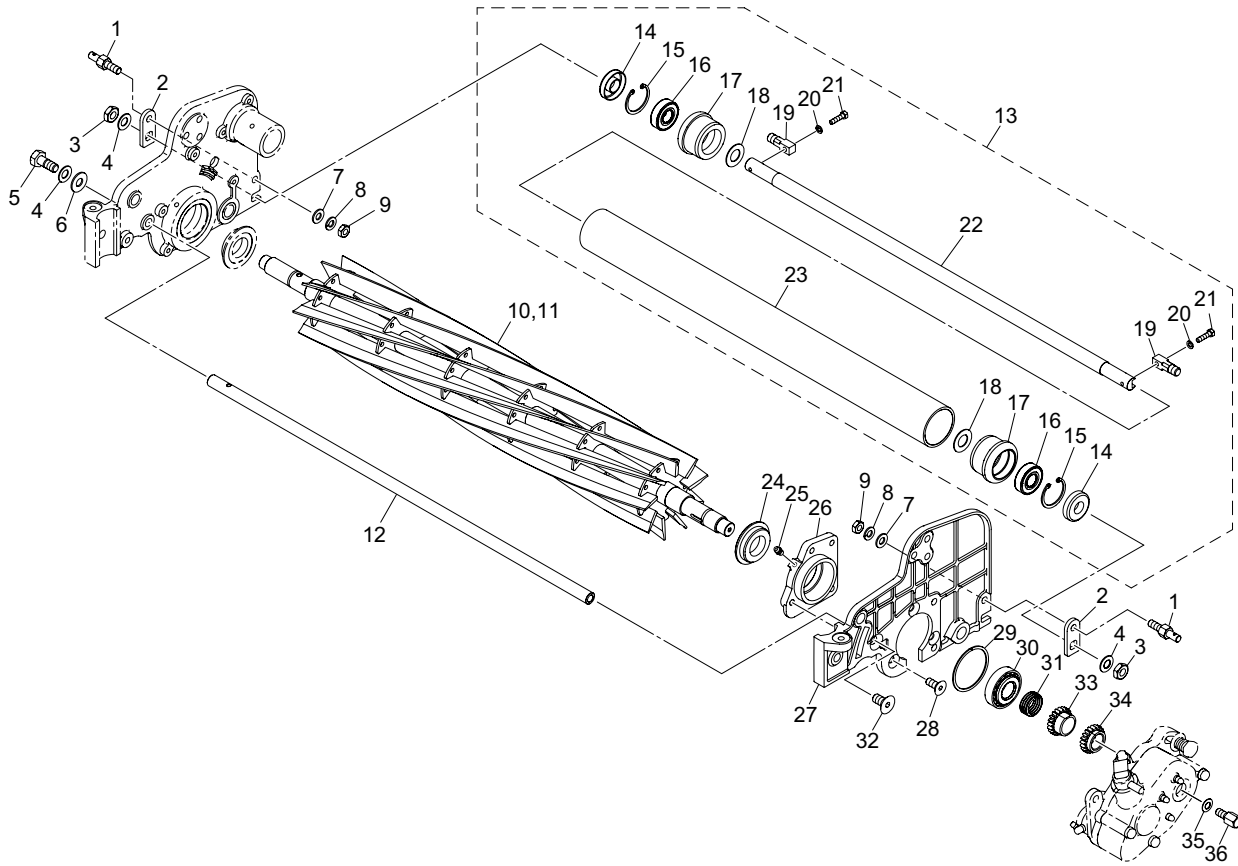
# 21. Mower W/ Groomer section A

LM101



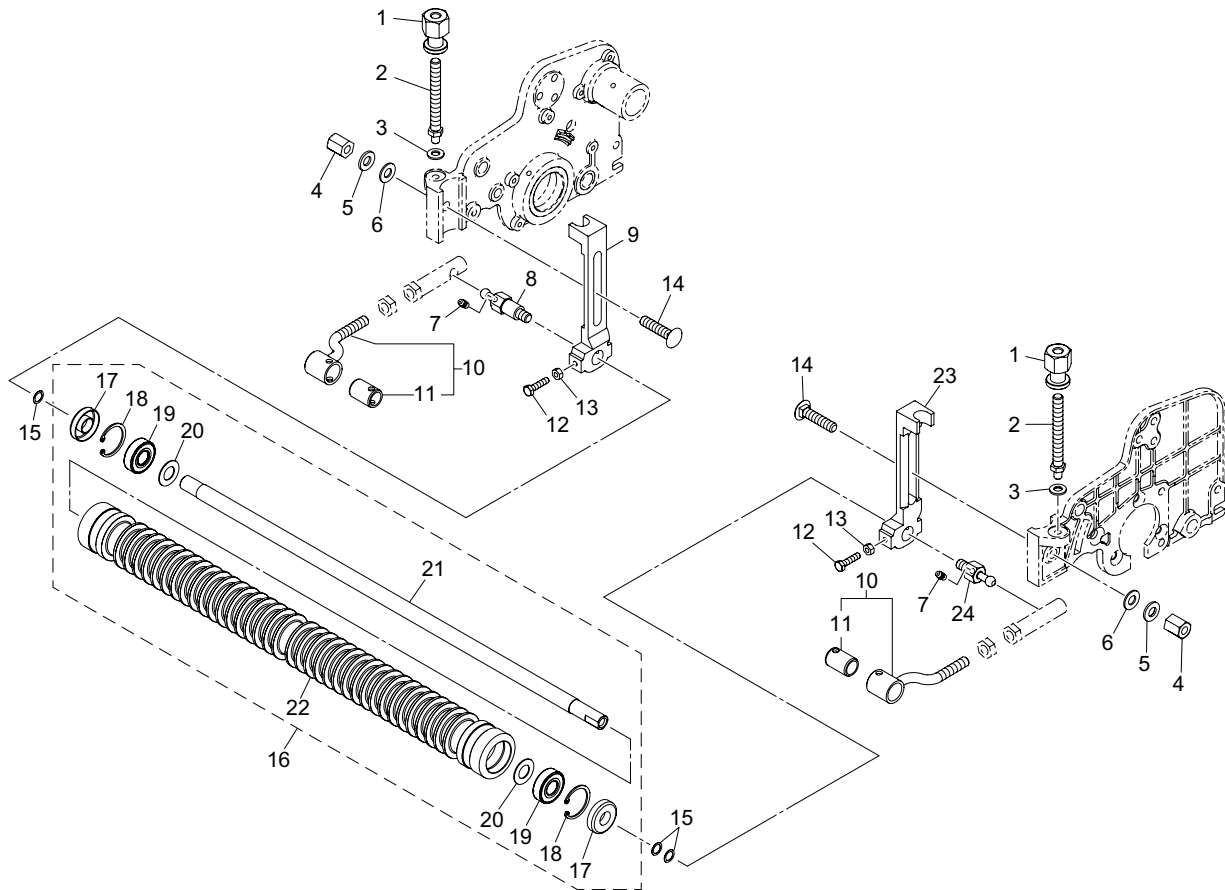
LM101\_21\_z00

| Cat No. | Code No.      | Part name                         | Qty | Remark | SN of application |
|---------|---------------|-----------------------------------|-----|--------|-------------------|
| 21 - 1  | LM54GA-0149Z3 | BOLT, 45                          | 2   |        |                   |
| 21 - 2  | LM101--0148Z2 | STOPPER                           | 2   |        |                   |
| 21 - 3  | K0160000282   | NUT, P1 OH1 M10-3                 | 2   |        |                   |
| 21 - 4  | K0211100001   | SPRING, CONICAL DISC H M10        | 3   |        |                   |
| 21 - 5  | LM54GA-0115A3 | BOLT, KNOCK 25                    | 1   |        |                   |
| 21 - 6  | K5001100002   | WASHER, M10-24                    | 1   |        |                   |
| 21 - 7  | K5000080002   | WASHER, M8                        | 2   |        |                   |
| 21 - 8  | K0200080002   | WASHER, SPRING M8                 | 2   |        |                   |
| 21 - 9  | K0102080002   | NUT, M8-3                         | 2   |        |                   |
| 21 - 10 | K280540090R   | REEL CUTTER, 557                  | 1   |        |                   |
| 21 - 11 | K280540110R   | REEL CUTTER, 557-11               | 1   |        |                   |
| 21 - 12 | LM54GA-0114A3 | STAY, MOWER 603.4 (FRONT)         | 1   |        |                   |
| 21 - 13 | LM101--0153Z0 | ROLLER ASSY, REAR                 | 1   |        |                   |
| 21 - 14 | K0851535080   | OIL SEAL, PJN15358                | 2   |        |                   |
| 21 - 15 | K0402035001   | RING, RETAINING R M35             | 2   |        |                   |
| 21 - 16 | K0612062020   | BEARING, BALL SEAL 2RD 6202       | 2   |        |                   |
| 21 - 17 | LM101--0139Z0 | HOUSING, ROLLER                   | 2   |        |                   |
| 21 - 18 | K5051015280   | WASHER, C5191P 1-15-28            | 2   |        |                   |
| 21 - 19 | LM101--0140Z2 | SHAFT, M10                        | 2   |        |                   |
| 21 - 20 | K0200050002   | WASHER, SPRING M5                 | 2   |        |                   |
| 21 - 21 | K0010050202   | BOLT, HT M5-20                    | 2   |        |                   |
| 21 - 22 | LM101--0137Z2 | SHAFT, ROLLER                     | 1   |        |                   |
| 21 - 23 | LM54G--0138Z0 | ROLLER, REAR                      | 1   |        |                   |
| 21 - 24 | K0830000020   | OIL SEAL, 254210                  | 1   |        |                   |
| 21 - 25 | K1440000010   | GREASE NIPPLE, A TYPE             | 1   |        |                   |
| 21 - 26 | LM101--0123ZR | HOUSING, REEL (LH)                | 1   |        |                   |
| 21 - 27 | LM101--0103Z0 | FRAME, (LH)                       | 1   |        |                   |
| 21 - 28 | K0053080202   | BOLT, FLAT HEAD W/HEX. HOLE M8-20 | 3   |        |                   |
| 21 - 29 | K0880050000   | O-RING, P50                       | 1   |        |                   |
| 21 - 30 | K0631302040   | BEARING, TAPER ROLLER JRP6 30204  | 1   |        |                   |



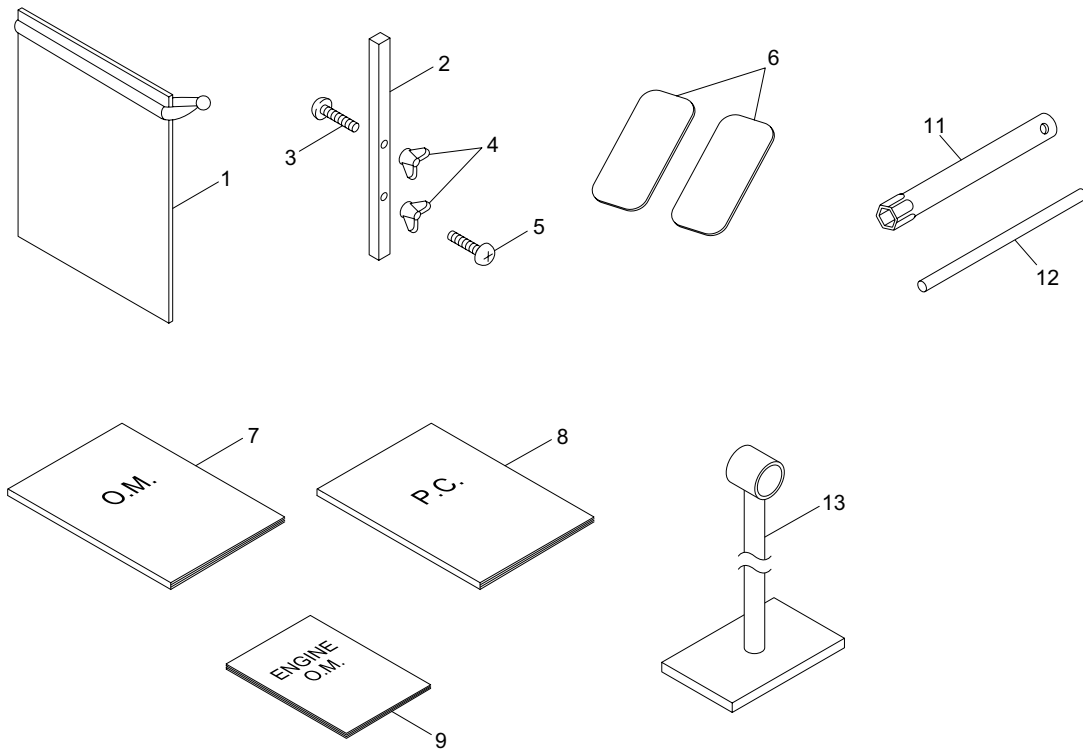
LM101\_21\_z00

| Cat No. | Code No.      | Part name                          | Qty | Remark | SN of application |
|---------|---------------|------------------------------------|-----|--------|-------------------|
| 21 - 31 | K1000000740   | SPRING, COMPRESSION M3.2-26.9-22   | 1   |        |                   |
| 21 - 32 | K0053100202   | BOLT, FLAT HEAD W/HEX. HOLE M10-20 | 1   |        |                   |
| 21 - 33 | LM101--1205Z0 | GEAR, REEL 20 TEETH A              | 1   |        |                   |
| 21 - 34 | LM101--1206Z0 | GEAR, REEL 20 TEETH B              | 1   |        |                   |
| 21 - 35 | K0210080002   | SPRING, CONICAL DISC L M8          | 1   |        |                   |
| 21 - 36 | LM101--0112Z2 | BOLT, RAPPING                      | 1   |        |                   |
|         |               |                                    |     |        |                   |
|         |               |                                    |     |        |                   |
|         |               |                                    |     |        |                   |
|         |               |                                    |     |        |                   |
|         |               |                                    |     |        |                   |



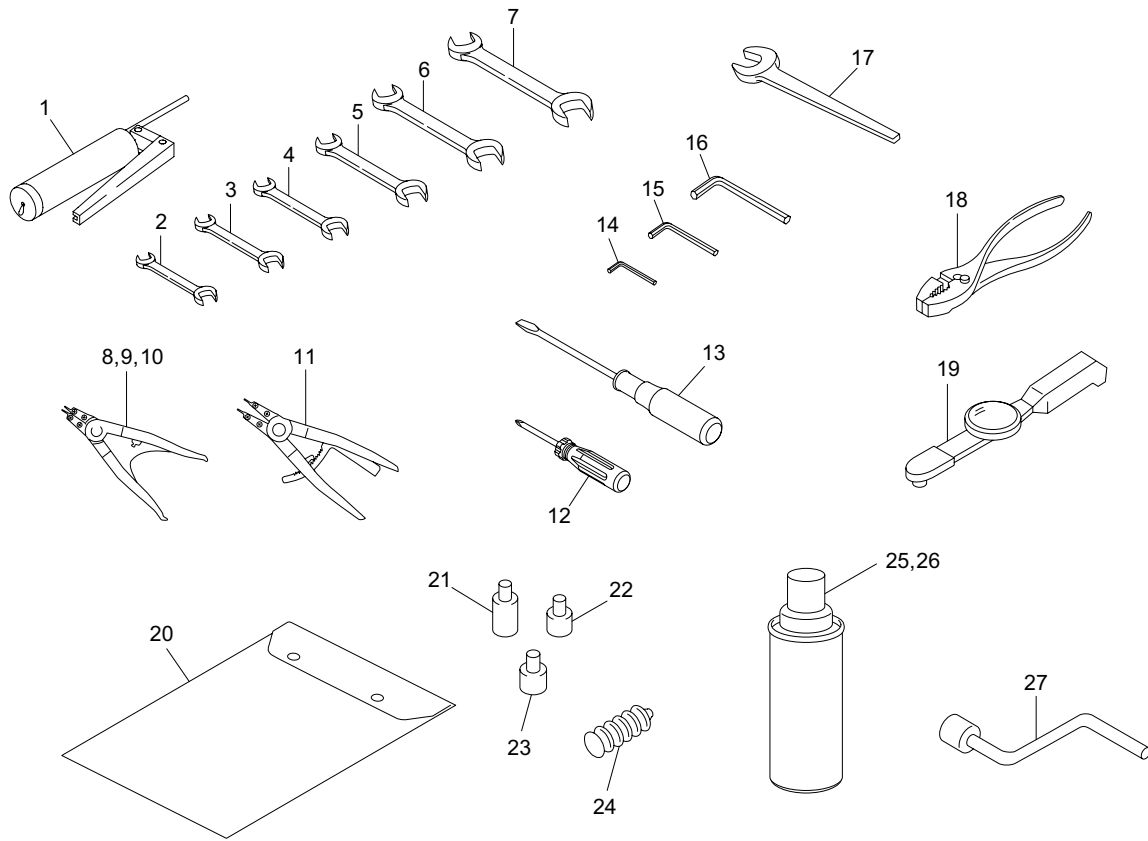
LM101\_22\_z00

| Cat No. | Code No.      | Part name                           | Qty | Remark         | SN of application |
|---------|---------------|-------------------------------------|-----|----------------|-------------------|
| 22 - 1  | K6084000162   | ADJUSTER FOR ROLLER (IGCA)          | 2   |                |                   |
| 22 - 2  | LM101--0121Z0 | BOLT, SUS ADJUSTING CUTTING HEIGHT  | 2   |                |                   |
| 22 - 3  | K0213080002   | WASHER, DISK SPRING H M8-1          | 2   |                |                   |
| 22 - 4  | K0149107202   | NUT, HIGH M10-17-20                 | 2   |                |                   |
| 22 - 5  | K0213100002   | WASHER, DISK SPRING H M10-1         | 2   |                |                   |
| 22 - 6  | K5000100002   | WASHER, M10                         | 2   |                |                   |
| 22 - 7  | K1440000010   | GREASE NIPPLE, A TYPE               | 2   |                |                   |
| 22 - 8  | LM54G--0133Z0 | BOLT, SUS MOUNTING MOWER (RH)       | 1   |                |                   |
| 22 - 9  | LM101--1210Z2 | BRACKET, ROLLER (RH)                | 1   |                |                   |
| 22 - 10 | LM101--1213Z0 | FIXTURE COMP, MOWER                 | 2   |                |                   |
| 22 - 11 | K6000000150   | BUSH, W/HOLE 15-20-29               | 2   |                |                   |
| 22 - 12 | K0000060252   | BOLT, M6-25                         | 2   |                |                   |
| 22 - 13 | K0100060002   | NUT, M6                             | 2   |                |                   |
| 22 - 14 | K0025100452   | BOLT, ROUND HEAD SQUARE ROOT M10-45 | 2   |                |                   |
| 22 - 15 | K5050310140   | WASHER, C5191P 0.3-10-14            | 0~6 | FOR ADJUSTMENT |                   |
| 22 - 16 | LM101--0151Z0 | ROLLER ASSY, GROOVED                | 1   |                |                   |
| 22 - 17 | K0851535080   | OIL SEAL, PJN15358                  | 2   |                |                   |
| 22 - 18 | K0402035001   | RING, RETAINING R M35               | 2   |                |                   |
| 22 - 19 | K0612062020   | BEARING, BALL SEAL 2RD 6202         | 2   |                |                   |
| 22 - 20 | K5051015280   | WASHER, C5191P 1-15-28              | 2   |                |                   |
| 22 - 21 | LM101--0118Z2 | SHAFT, ROLLER                       | 1   |                |                   |
| 22 - 22 | LM101--0117Z3 | ROLLER, GROOVED                     | 1   |                |                   |
| 22 - 23 | LM101--1209Z2 | BRACKET, ROLLER (LH)                | 1   |                |                   |
| 22 - 24 | LM54G--0132Z0 | BOLT, SUS MOUNTING MOWER (LH)       | 1   |                |                   |



LM101\_23\_a00

| Cat No. | Code No.        | Part name                      | Qty | Remark | SN of application |
|---------|-----------------|--------------------------------|-----|--------|-------------------|
| 23 - 1  | K4801000050     | BAG, TOOL (BIG)                | 1   |        |                   |
| 23 - 2  | K6090000072     | GAUGE, CUTTING HEIGHT          | 1   |        |                   |
| 23 - 3  | K0046060502     | SCREW, + PAN HEAD M6-50        | 1   |        |                   |
| 23 - 4  | K0141060002     | NUT, WING M6-3                 | 2   |        |                   |
| 23 - 5  | K0046060302     | SCREW, + PAN HEAD M6-30        | 1   |        |                   |
| 23 - 6  | K4802000120     | GAUGE, THICKNESS0.5            | 2   |        |                   |
| 23a- 7  | 750101-116-A    | OWNERS OPERATING MANUAL, LM101 | 1   |        |                   |
| 23a- 8  | 750101-116-B    | PARTS CATALOG, LM101           | 1   |        |                   |
| 23a- 9  | K2655GX120U01   | OPERATORS MANUAL, ENGINE GX120 | 1   |        |                   |
| 23a- 10 |                 |                                |     |        |                   |
| 23a- 11 | HN89216-Z0T-800 | WRENCH, SPARK PLUG             | 1   |        |                   |
| 23a- 12 | HN89219-805-000 | HANDLE, BOX WRENCH             | 1   |        |                   |
| 23 - 13 | LM54GB-0901ZD   | STAND, FOR MAINTENANCE         | 1   |        |                   |
|         |                 |                                |     |        |                   |
|         |                 |                                |     |        |                   |
|         |                 |                                |     |        |                   |
|         |                 |                                |     |        |                   |



LM101\_24\_z00

| Cat No. | Code No.     | Part name                       | Qty | Remark | SN of application |
|---------|--------------|---------------------------------|-----|--------|-------------------|
| 24 - 1  | K485000022   | GREASE GUN                      | 1   |        |                   |
| 24 - 2  | K4810070082  | WRENCH, 7×8                     | 1   |        |                   |
| 24 - 3  | K4810080102  | WRENCH, 8×10                    | 1   |        |                   |
| 24 - 4  | K4810100122  | WRENCH, 10×12                   | 1   |        |                   |
| 24 - 5  | K4810130172  | WRENCH, 13×17                   | 1   |        |                   |
| 24 - 6  | K4810190222  | WRENCH, 19×22                   | 1   |        |                   |
| 24 - 7  | K4810220242  | WRENCH, 22×24                   | 1   |        |                   |
| 24 - 8  | K4802000400  | TOOL, STOP RING PLIERS ST-1     | 1   |        |                   |
| 24 - 9  | K4802000410  | TOOL, STOP RING PLIERS ST-2     | 1   |        |                   |
| 24 - 10 | K4802000420  | TOOL, STOP RING PLIERS RT-2     | 1   |        |                   |
| 24 - 11 | K4802000430  | TOOL, STOP RING PLIERS RT-2N    | 1   |        |                   |
| 24 - 12 | K4820000010  | SCREWDRIVER, +/-                | 1   |        |                   |
| 24 - 13 | K4820000020  | SCREWDRIVER, - 200              | 1   |        |                   |
| 24 - 14 | K4813020001  | SPANNER, HEX PIN 2              | 1   |        |                   |
| 24 - 15 | K4813040001  | SPANNER, HEX PIN 4              | 1   |        |                   |
| 24 - 16 | K4813050001  | SPANNER, HEX PIN 5              | 1   |        |                   |
| 24 - 17 | K4811240002  | WRENCH, SINGLE HEAD 24          | 1   |        |                   |
| 24 - 18 | K4830000032  | PLIERS, 135                     | 1   |        |                   |
| 24 - 19 | K4802000370  | TOOL, TORQUE WRENCH 6-60        | 1   |        |                   |
| 24 - 20 | K4801000050  | BAG, TOOL (BIG)                 | 1   |        |                   |
| 24 - 21 | K4802000364  | TOOL, SOCKET ADAPTER 9.5 X 12.7 | 1   |        |                   |
| 24 - 22 | K4802000354  | TOOL, SOCKET ADAPTER 6.35 X 9.5 | 1   |        |                   |
| 24 - 23 | K4816006130  | SOCKET, HEX 6.35-13             | 1   |        |                   |
| 24 - 24 | K2931000400  | GREASE, EXCELITE EP NO.2 400G   | 1   |        |                   |
| 24 - 25 | BARONESS-001 | SPRAY, LACQUER WINE RED         | 1   |        |                   |
| 24 - 26 | BARONESS-002 | SPRAY, LACQUER DARK GRAY        | 1   |        |                   |
| 24 - 27 | K4802000382  | TOOL, LAPPING HANDLE            | 1   |        |                   |

**BARONESS**<sup>®</sup>  
Quality on Demand



**KYOEISHA CO., LTD.**

Head Office 1-26, Miyuki-cho, Toyokawa, Tel : (0533)84-1390  
Aichi-Pref. 442-8530 Japan. Fax : (0533)89-3623