

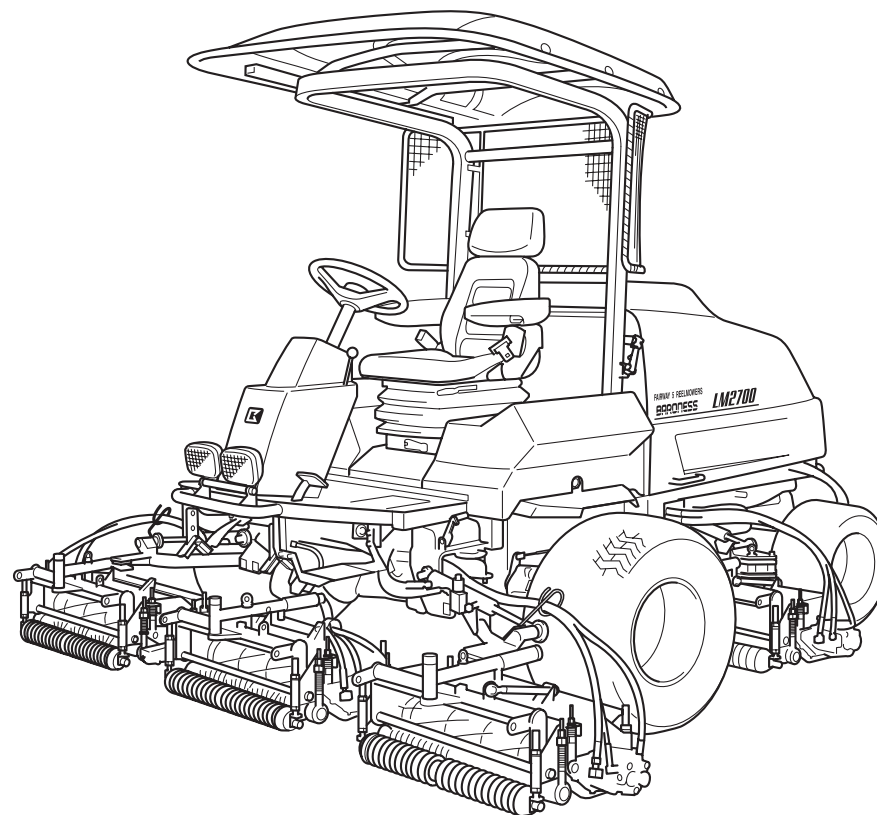
**BARONESS**<sup>®</sup>

Reel Mower

**LM2700**

Front 5-Reel Fairway Mower

## Parts catalog



Serial No.10372~

**BARONESS**<sup>®</sup>

Quality on Demand

Ver.2.1

## Greeting

Thank you for purchasing Baroness machine.

This machine has been shipped from the factory after comprehensive test runs and inspections. However, the optimum performance of the machine depends on how you use and maintain it, including routine inspections, adjustments, and fuel supplies before and after the operation.

We hope you will use the machine safely, and take advantage of its best performance.

## Note

(For inquiry about this machine)

Since the type of machine may be changed sequentially, inform us of the type and the serial number.

The information described in this manual is subject to change without prior notice.

When replacing parts, be sure to use Baroness parts or parts designated by Kyo-eisha.

Note that the Baroness product warranty may not apply to defects caused by the use of parts from other companies.

(For ordering parts)

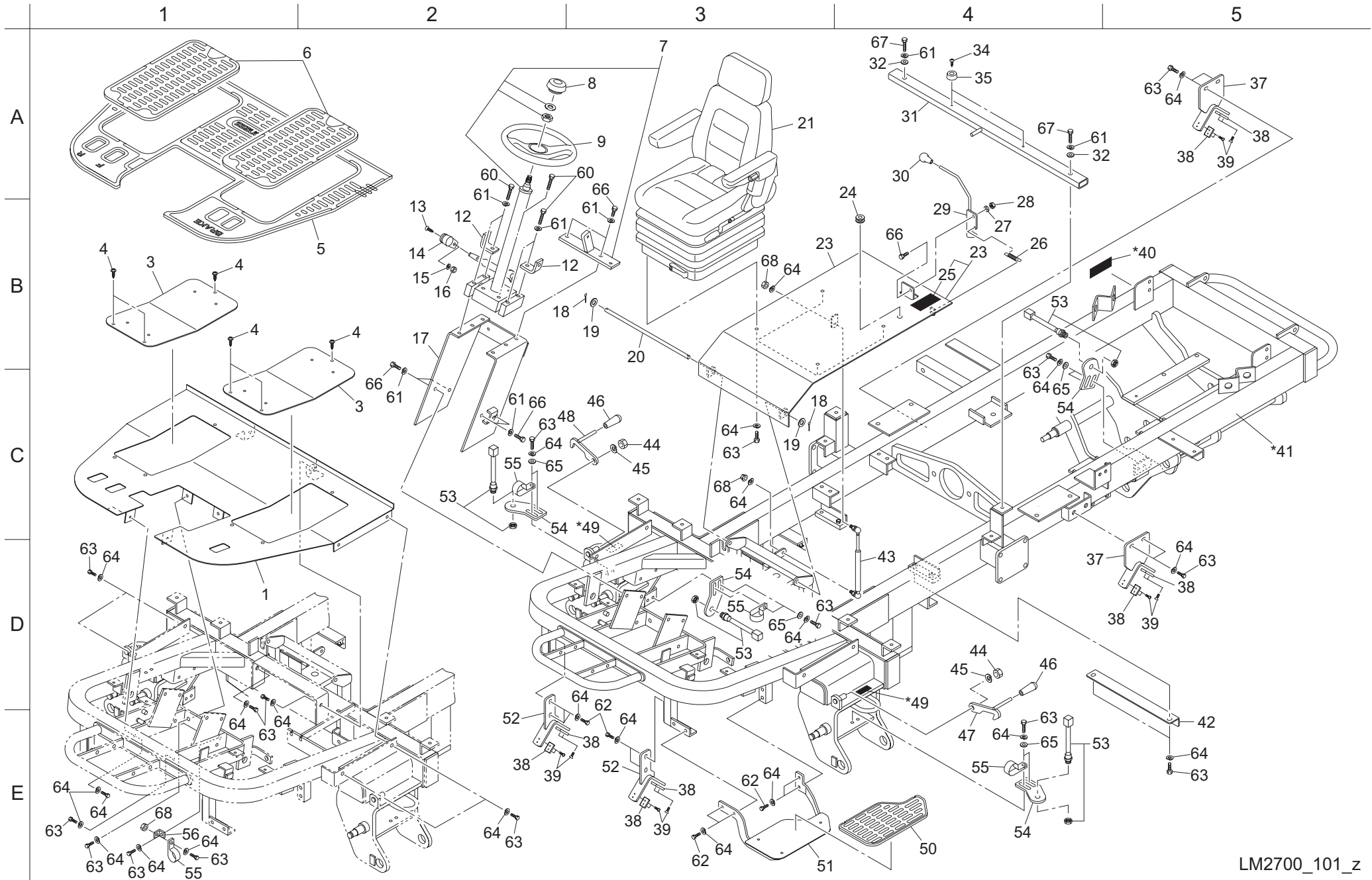
For prevention of delivery of wrong parts, be sure to inform us of the code number and the part name.

Example:	Code No.	Part Name	Qty
	LM2700-0620ZD	STEP	1

# Contents

PARTS CATALOGUE .....	2	126. Mower parts A (26inch).....	59
101. Frame parts A (26inch).....	3	127. Mower parts A (22inch).....	61
102. Frame parts A (22inch).....	5	128. Mower parts B (26inch) .....	63
103. Frame parts B .....	7	129. Mower parts B (22inch) .....	65
104. Cover parts.....	9	130. Roller Ass'y parts (26inch).....	67
105. Front wheel parts.....	11	131. Roller Ass'y parts (22inch).....	69
106. Rear wheel parts .....	13	132. Accessory parts .....	71
107. Pedal parts A .....	15	133. Option (26inch Grass catcher parts) .....	73
108. Pedal parts B.....	17	134. Option (22inch Grass catcher parts) .....	75
109. Engine parts A.....	19	135. Option (26inch Groomer Ass'y parts for mower unit #1,#3,#5).....	77
110. Engine parts B.....	21	136. Option (22inch Groomer Ass'y parts for mower unit #1,#3,#5).....	79
111. Engine parts C (26inch).....	25	137. Option (26inch Groomer Ass'y parts for mower unit #2,#4).....	81
112. Engine parts C (22inch).....	27	138. Option (22inch Groomer Ass'y parts for mower unit #2,#4).....	83
113. Engine parts D .....	29	139. Option (26inch, 22inch scraper parts) .....	85
114. Hydraulic parts A .....	31	140. Option (22inch, 22inch scraper parts) .....	87
115. Hydraulic parts B .....	35	141. Option (26inch CR brush parts).....	89
116. Hydraulic parts C .....	37	142. Option (22inch CR brush parts).....	91
117. Hydraulic parts D .....	39	143. Option (Light parts).....	93
118. Hydraulic parts E .....	41		
119. Hydraulic parts F .....	43		
120. Hydraulic parts G.....	45		
121. Hydraulic parts H.....	49		
122. Lift arm front part (26inch) .....	51		
123. Lift arm front part (22inch) .....	53		
124. Lift arm rear part (26inch).....	55		
125. Lift arm rear part (22inch).....	57		

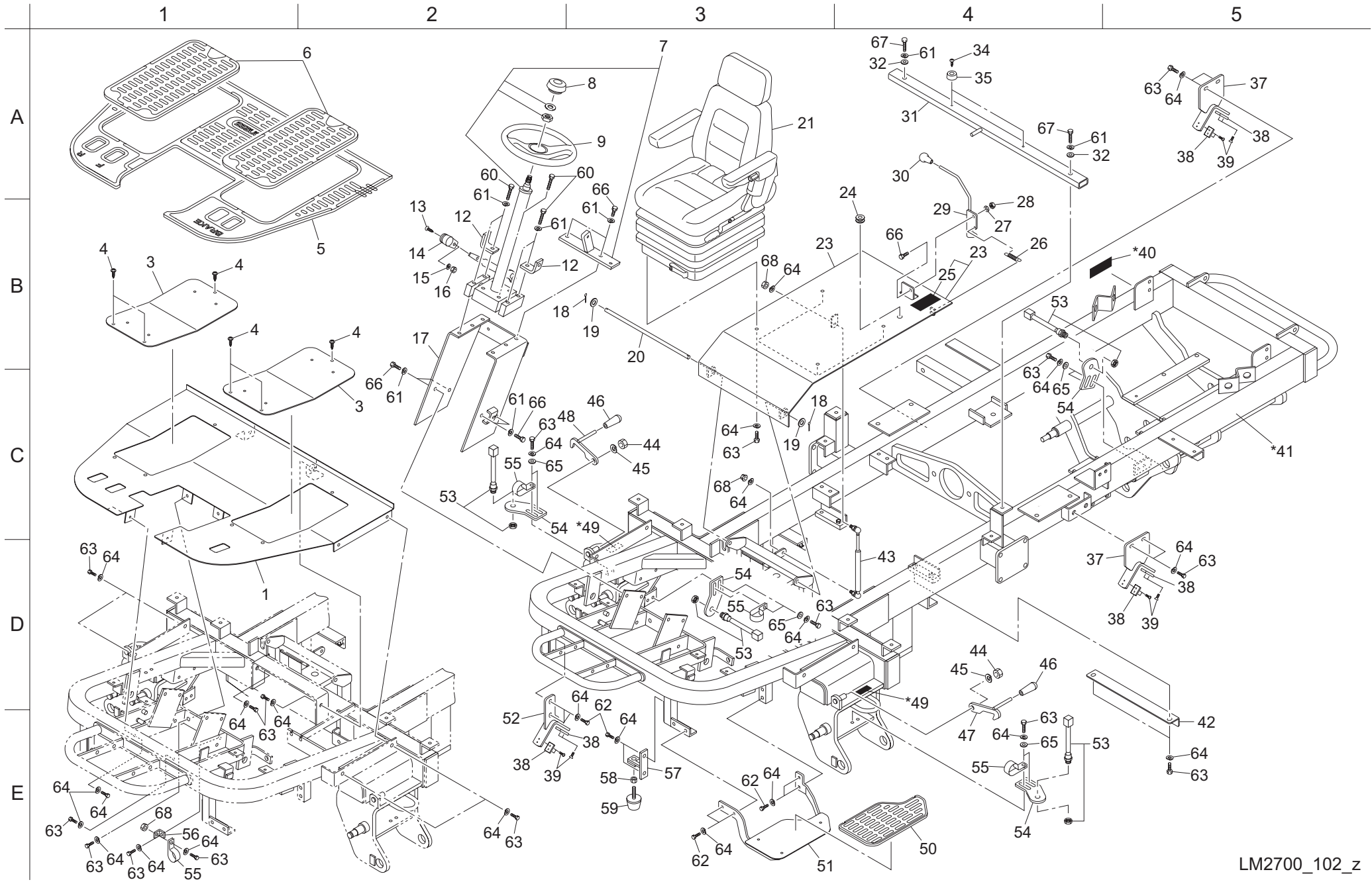
101. Frame parts A (26inch)



Cat No.	Code No.	Part name	Qty	Remark
101-1	LM2700-0620ZD	STEP	1	
101-2				
101-3	LM2700-0621ZD	STEP COVER	2	
101-4	K0062080122	8 HEXAGONAL SOCKET BUTTON BOLT 12	6	
101-5	LM2700-0628Z0	STEP RUBBER (L)	1	
101-6	LM2700-0629Z0	STEP RUBBER (S)	2	
101-7	K1730000060	TILT STEERING COLUMN	1	
101-8	K1310000130	RUBBER CAP	1	
101-9	K1710000100	STEERING WHEEL V027220-0101A	1	
101-10				
101-11				
101-12	LM2700-0931ZD	FRONT COVER MOUNT	2	
101-13	K0042050082	5+ ROUND HEAD SMALL SCREW 8	1	
101-14	K1301000150	THROTTLE LEVER GRIP	1	
101-15	K0200050002	5S WASHER	1	
101-16	K0100050002	5 NUT	1	
101-17	LM2700-0602ZD	HANDLE MOUNT	1	
101-18	K0300020202	2 SPLIT COTTER PIN 20	2	
101-19	K5000120002	12 WASHER	2	
101-20	LM2700-0609Z2	12 SHAFT WITH HOLES 333	1	
101-21	K1700000250	SADDLE DS85H/90	1	
101-22				
101-23	LM2700-3602Z0	SEAT MOUNT COMP	1	
101-24	K0900300240	GROMMET WITH FILM C30SG24A	1	
101-25	K4205001580	CAUTION LABEL - HAND CRUSH	1	
101-26	K1030000098	1.6U HOOK SPRING 1266.8	1	
101-27	K5000100002	10 WASHER	1	
101-28	K0144100002	10U NUT	1	
101-29	LM2700-0607ZD	LEVER	1	
101-30	K1300000040	9 GRIP BLACK 35.5	1	
101-31	LM2700-0608ZD	SEAT RECEIVER	1	
101-32	K5073210352	3.2SPHC METAL WASHER 1035	2	
101-33				
101-34	K0042050152	5+ R-HEAD SMALL SCREW 15	2	
101-35	K4039000130	RUBBER FOOT TK-3220	2	

Cat No.	Code No.	Part name	Qty	Remark
101-36				
101-37	LM2700-0614AD	MOWER STOPPER	2	
101-38	LM526A-0107Z0	PAD	8	
101-39	K0041060122	6 CROSS-HEAD COUNTERSUNK SCREW 12	16	
101-40	K4205001540	CAUTION LABEL - HOT PARTS	1	
101-41	LM2700-3601Z0	FRAME COMP	1	*41 includes 40 and 49
101-42	LM2700-0610ZD	STAY	1	
101-43	K3381000010	GAS SPRING C25	1	
101-44	K0145140002	14U NUT P1.5	2	
101-45	K0210140002	14 DISC SPRING L	2	
101-46	K1300000110	9 YELLOW GRIP 22	2	
101-47	LM526--0619AD	#5 LOCK LEVER	1	
101-48	LM526--0618AD	#4 LOCK LEVER	1	
101-49	K4205000750	ARM LOCK CAUTION PLATE	2	
101-50	LM2700-0630Z0	STEP RUBBER	1	
101-51	LM2700-0619ZD	STEP	1	
101-52	LM2700-0615ZD	MOWER STOPPER	2	
101-53	LM2700-0557Z0	PROXIMITY SENSOR E2E-X5E	4	
101-54	LM2700-0625ZD	SWITCH MOUNT PLATE	4	
101-55	K4270050080	50 HARNESS CLIP M8	4	
101-56	LM2700-0571ZD	MOUNT	1	
101-57				
101-58				
101-59				
101-60	K0000100502	10 BOLT 50	4	
101-61	K0200100002	10S WASHER	12	
101-62	K0000080152	8 BOLT 15	12	
101-63	K0000080202	8 BOLT 20	26	
101-64	K0200080002	8S WASHER	38	
101-65	K5000080002	8 WASHER	8	
101-66	K0000100202	10 BOLT 20	7	
101-67	K0000100402	10 BOLT 40	2	
101-68	K0100080002	8 NUT	3	

102. Frame parts A (22inch)

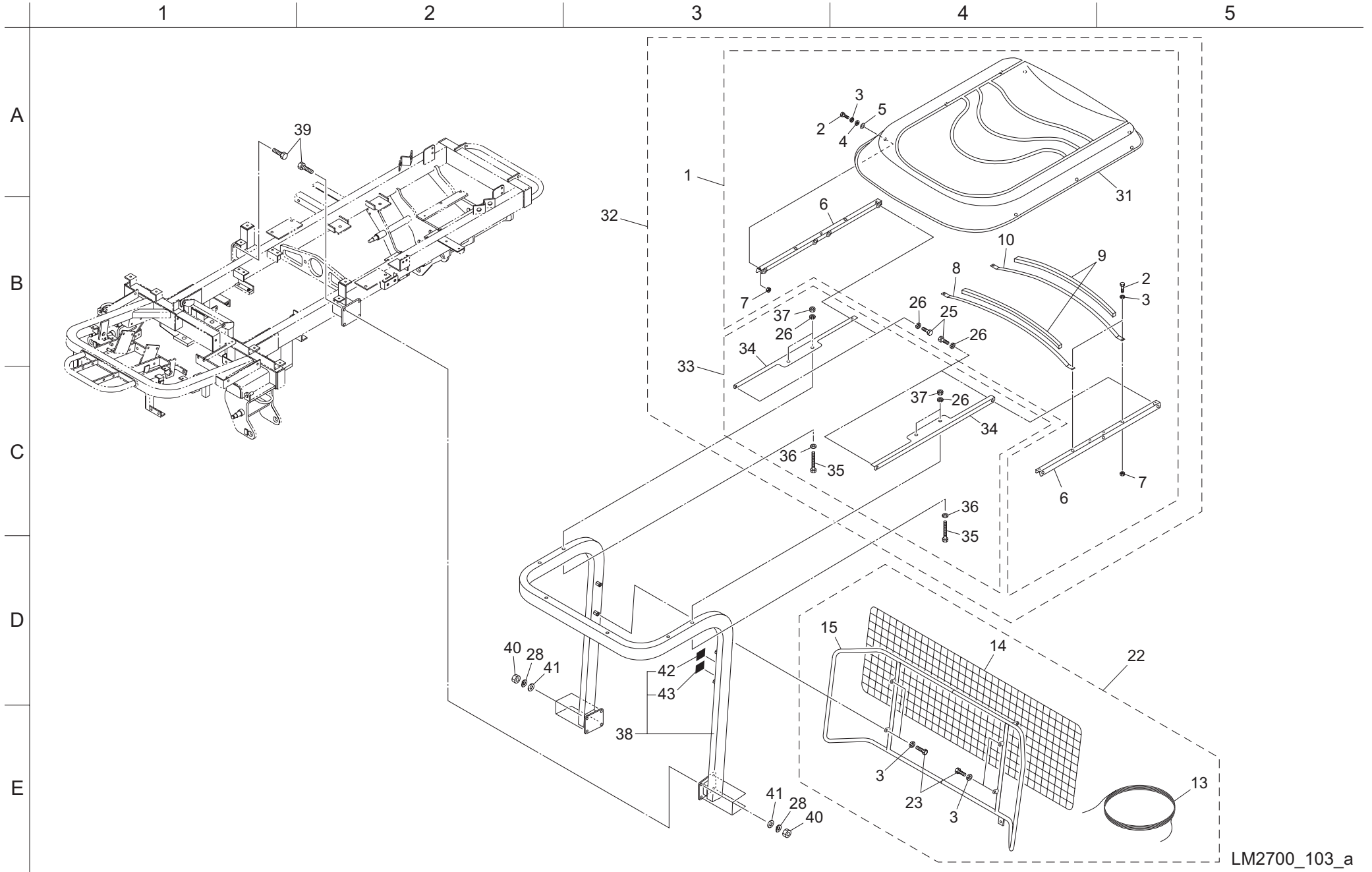


Cat No.	Code No.	Part name	Qty	Remark
102-1	LM2700-0620ZD	STEP	1	
102-2				
102-3	LM2700-0621ZD	STEP COVER	2	
102-4	K0062080122	8 HEXAGONAL SOCKET BUTTON BOLT 12	6	
102-5	LM2700-0628Z0	STEP RUBBER (L)	1	
102-6	LM2700-0629Z0	STEP RUBBER (S)	2	
102-7	K1730000060	TILT STEERING COLUMN	1	
102-8	K1310000130	RUBBER CAP	1	
102-9	K1710000100	STEERING WHEEL V027220-0101A	1	
102-10				
102-11				
102-12	LM2700-0931ZD	FRONT COVER MOUNT	2	
102-13	K0042050082	5+ ROUND HEAD SMALL SCREW 8	1	
102-14	K1301000150	THROTTLE LEVER GRIP	1	
102-15	K0200050002	5S WASHER	1	
102-16	K0100050002	5 NUT	1	
102-17	LM2700-0602ZD	HANDLE MOUNT	1	
102-18	K0300020202	2 SPLIT COTTER PIN 20	2	
102-19	K5000120002	12 WASHER	2	
102-20	LM2700-0609Z2	12 SHAFT WITH HOLES 333	1	
102-21	K1700000250	SADDLE DS85H/90	1	
102-22				
102-23	LM2700-3602Z0	SEAT MOUNT COMP	1	
102-24	K0900300240	GROMMET WITH FILM C30SG24A	1	
102-25	K4205001580	CAUTION LABEL - HAND CRUSH	1	
102-26	K1030000098	1.6U HOOK SPRING 1266.8	1	
102-27	K5000100002	10 WASHER	1	
102-28	K0144100002	10U NUT	1	
102-29	LM2700-0607ZD	LEVER	1	
102-30	K1300000040	9 GRIP BLACK 35.5	1	
102-31	LM2700-0608ZD	SEAT RECEIVER	1	
102-32	K5073210352	3.2SPHC METAL WASHER 1035	2	
102-33				
102-34	K0042050152	5+ R-HEAD SMALL SCREW 15	2	
102-35	K4039000130	RUBBER FOOT TK-3220	2	

Cat No.	Code No.	Part name	Qty	Remark
102-36				
102-37	LM2700-0614AD	MOWER STOPPER	2	
102-38	LM526A-0107Z0	PAD	6	
102-39	K0041060122	6 CROSS-HEAD COUNTERSUNK SCREW 12	12	
102-40	K4205001540	CAUTION LABEL - HOT PARTS	1	
102-41	LM2700-3601Z0	FRAME COMP	1	*41 includes 40 and 49
102-42	LM2700-0610ZD	STAY	1	
102-43	K3381000010	GAS SPRING C25	1	
102-44	K0145140002	14U NUT P1.5	2	
102-45	K0210140002	14 DISC SPRING L	2	
102-46	K1300000110	9 YELLOW GRIP 22	2	
102-47	LM526--0619AD	#5 LOCK LEVER	1	
102-48	LM526--0618AD	#4 LOCK LEVER	1	
102-49	K4205000750	ARM LOCK CAUTION PLATE	2	
102-50	LM2700-0630Z0	STEP RUBBER	1	
102-51	LM2700-0619ZD	STEP	1	
102-52	LM2700-0615ZD	MOWER STOPPER	1	
102-53	LM2700-0557Z0	PROXIMITY SENSOR E2E-X5E	4	
102-54	LM2700-0625ZD	SWITCH MOUNT PLATE	4	
102-55	K4270050080	50 HARNESS CLIP M8	4	
102-56	LM2700-0571ZD	MOUNT	1	
102-57	LM2700-2401ZD	MOWER STOPPER	1	
102-58	K0100100002	10 NUT	1	
102-59	K4049050000	RUBBER STOPPER KI-50	1	
102-60	K0000100502	10 BOLT 50	4	
102-61	K0200100002	10S WASHER	10	
102-62	K0000080152	8 BOLT 15	12	
102-63	K0000080202	8 BOLT 20	26	
102-64	K0200080002	8S WASHER	38	
102-65	K5000080002	8 WASHER	8	
102-66	K0000100202	10 BOLT 20	7	
102-67	K0000100402	10 BOLT 40	2	
102-68	K0100080002	8 NUT	3	



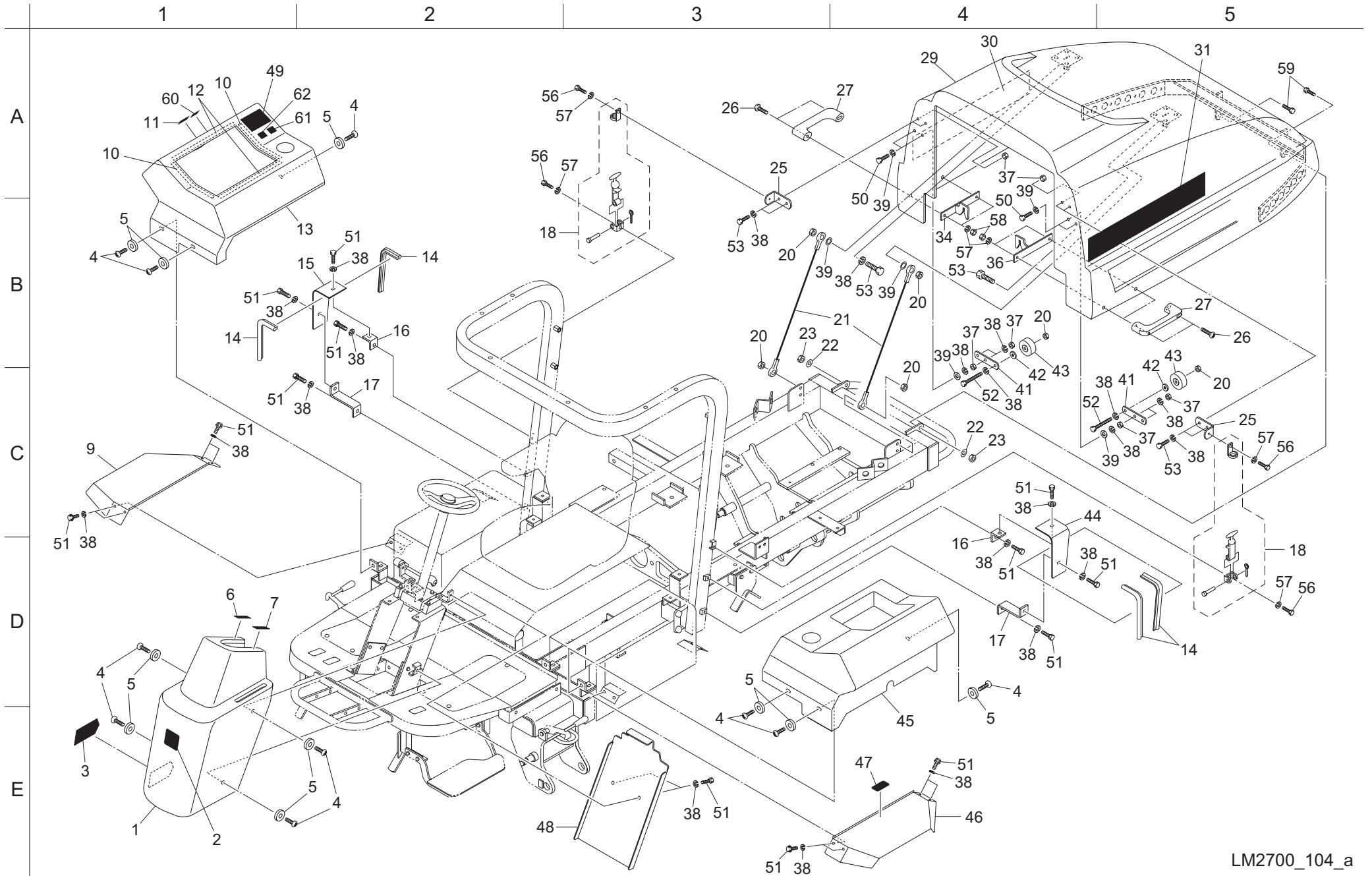
103. Frame parts B





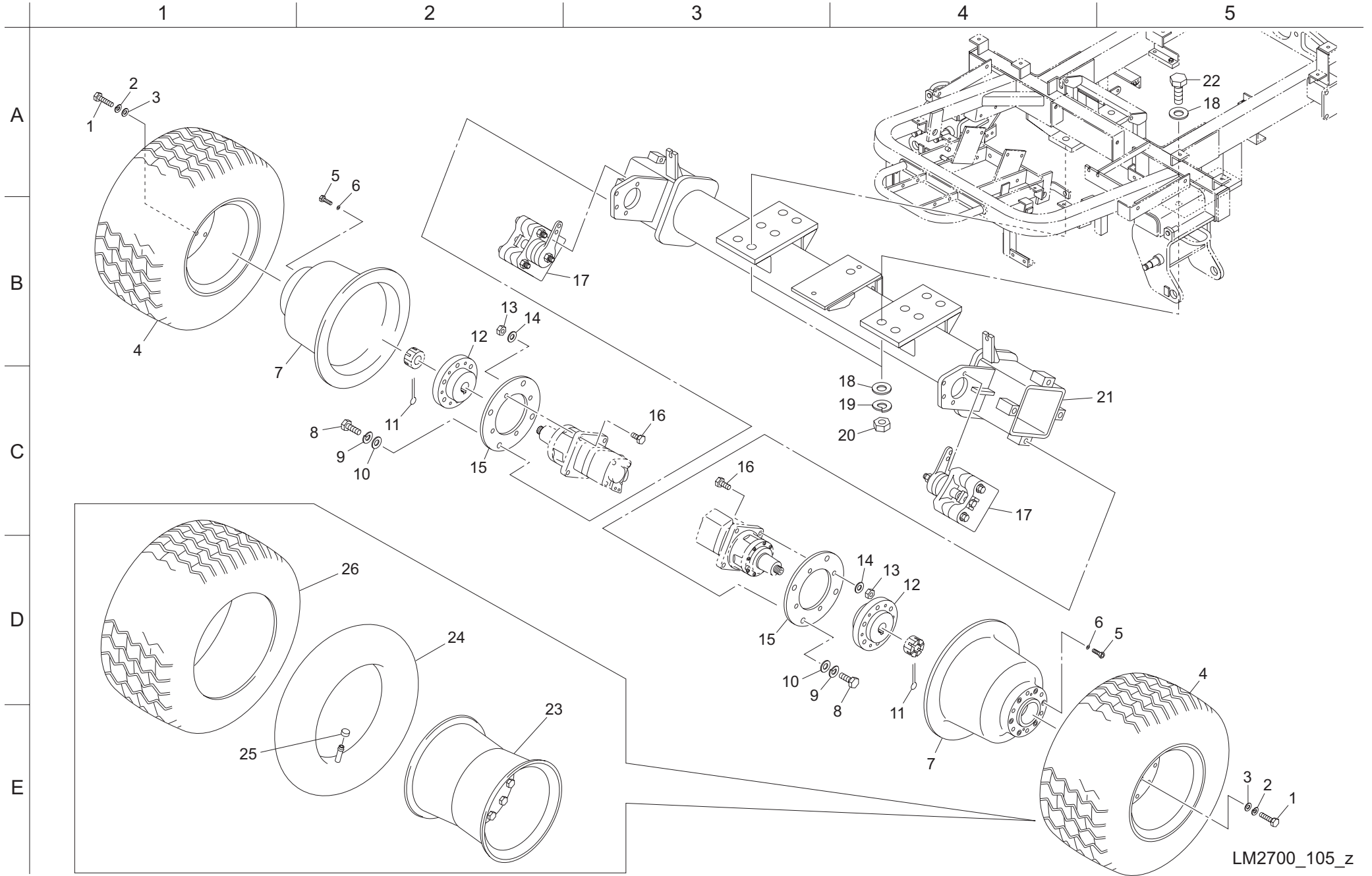


104. Cover parts



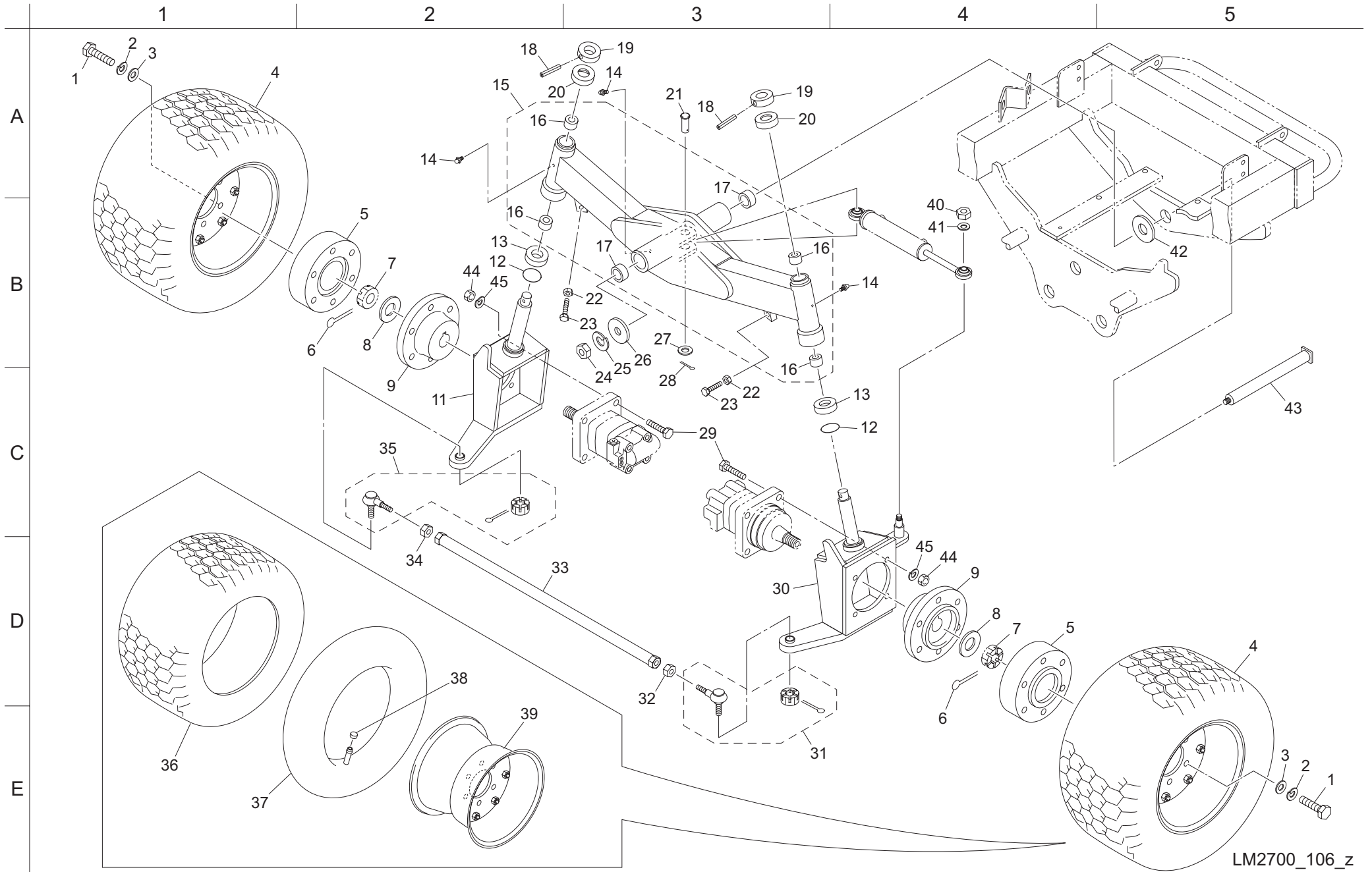


105. Front wheel parts





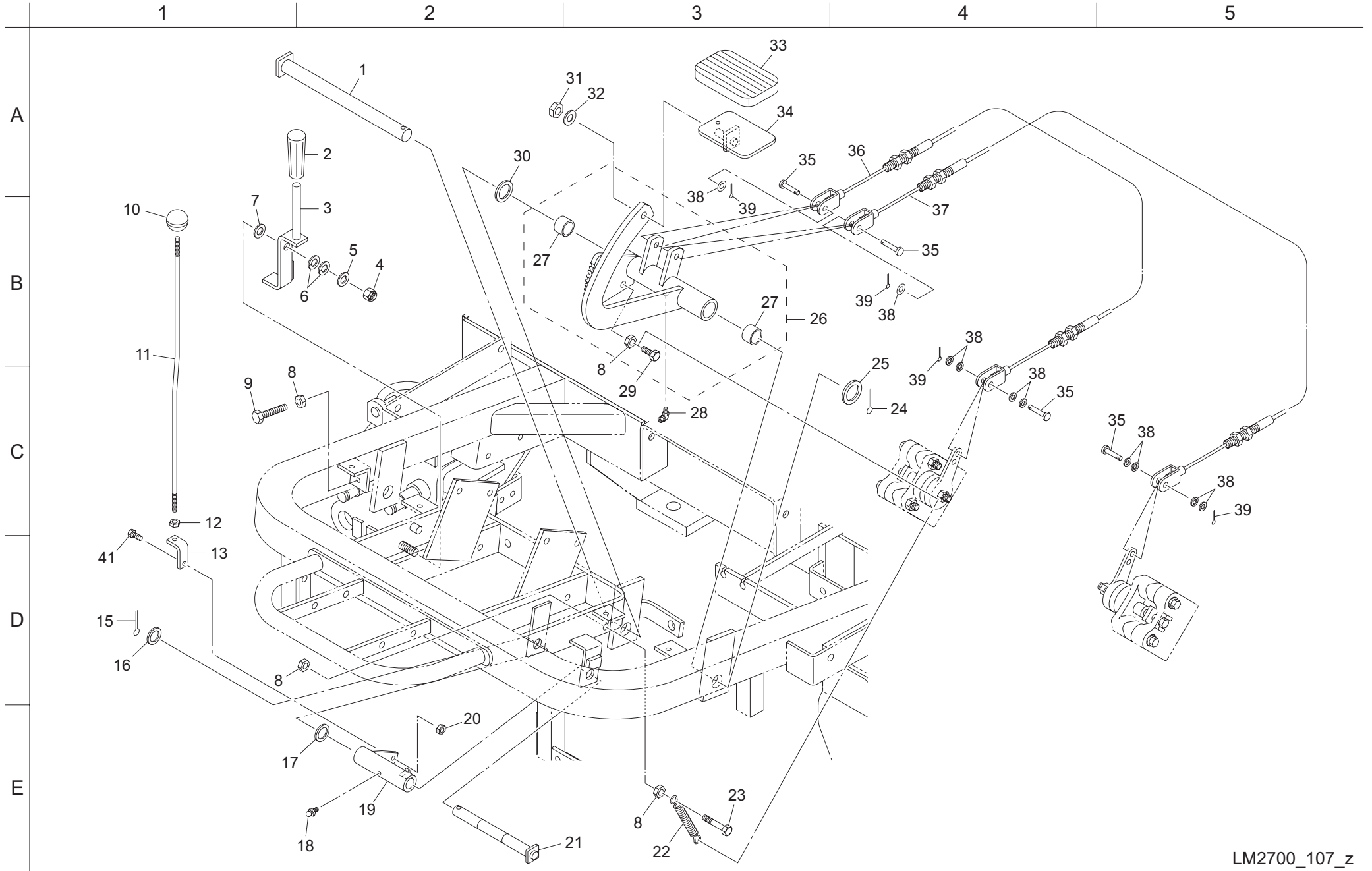
106. Rear wheel parts





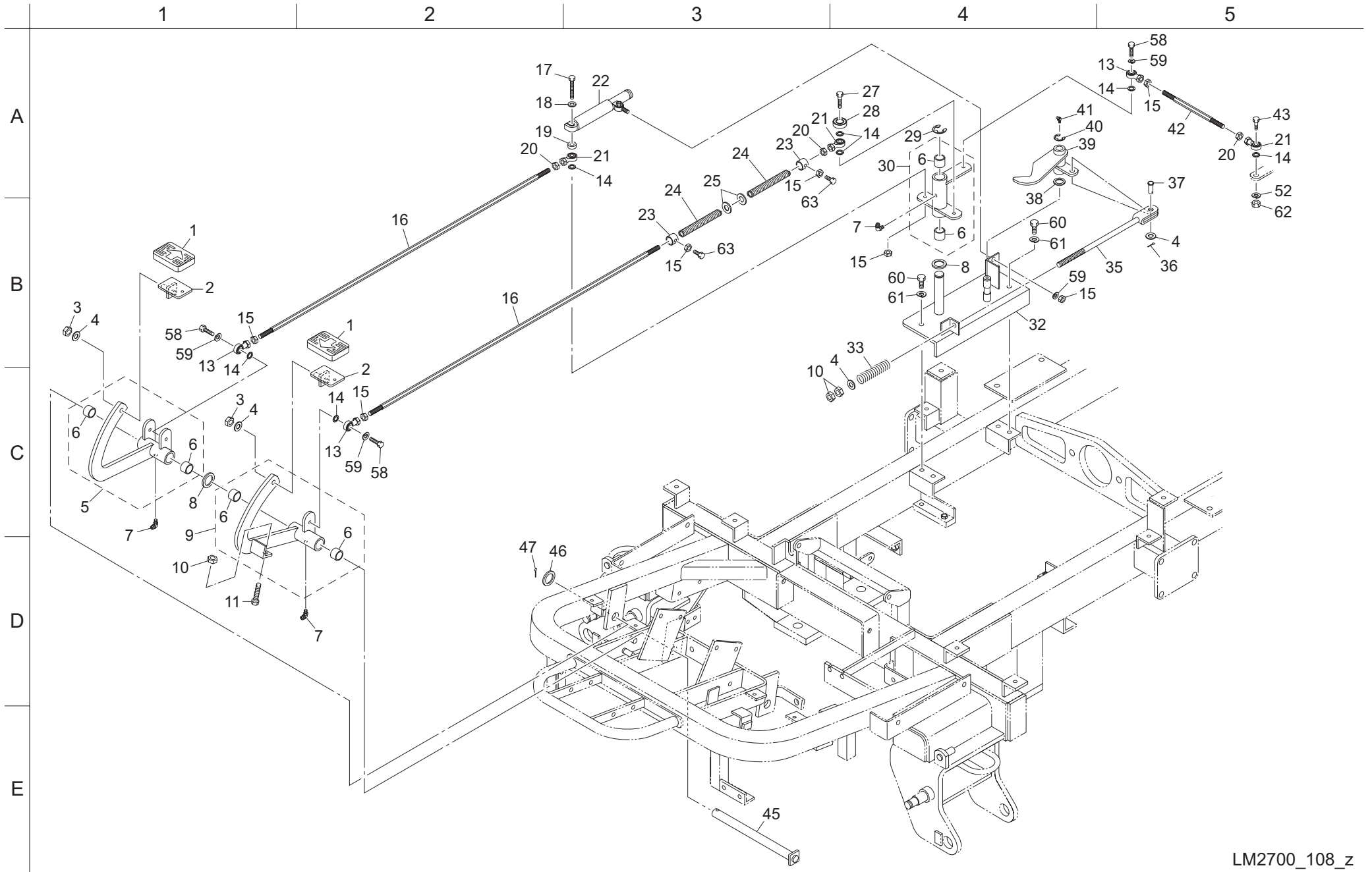


107. Pedal parts A



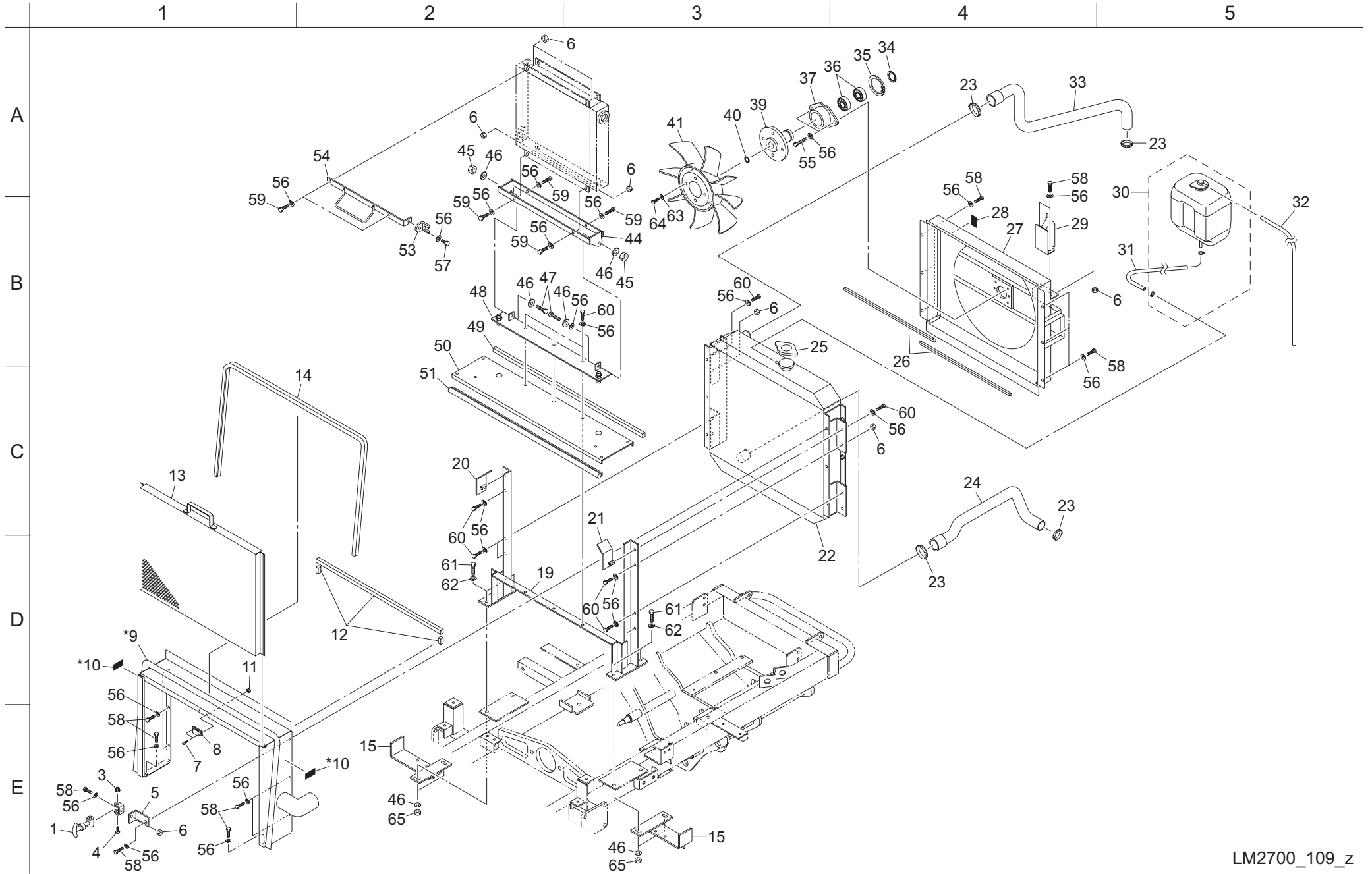


108. Pedal parts B



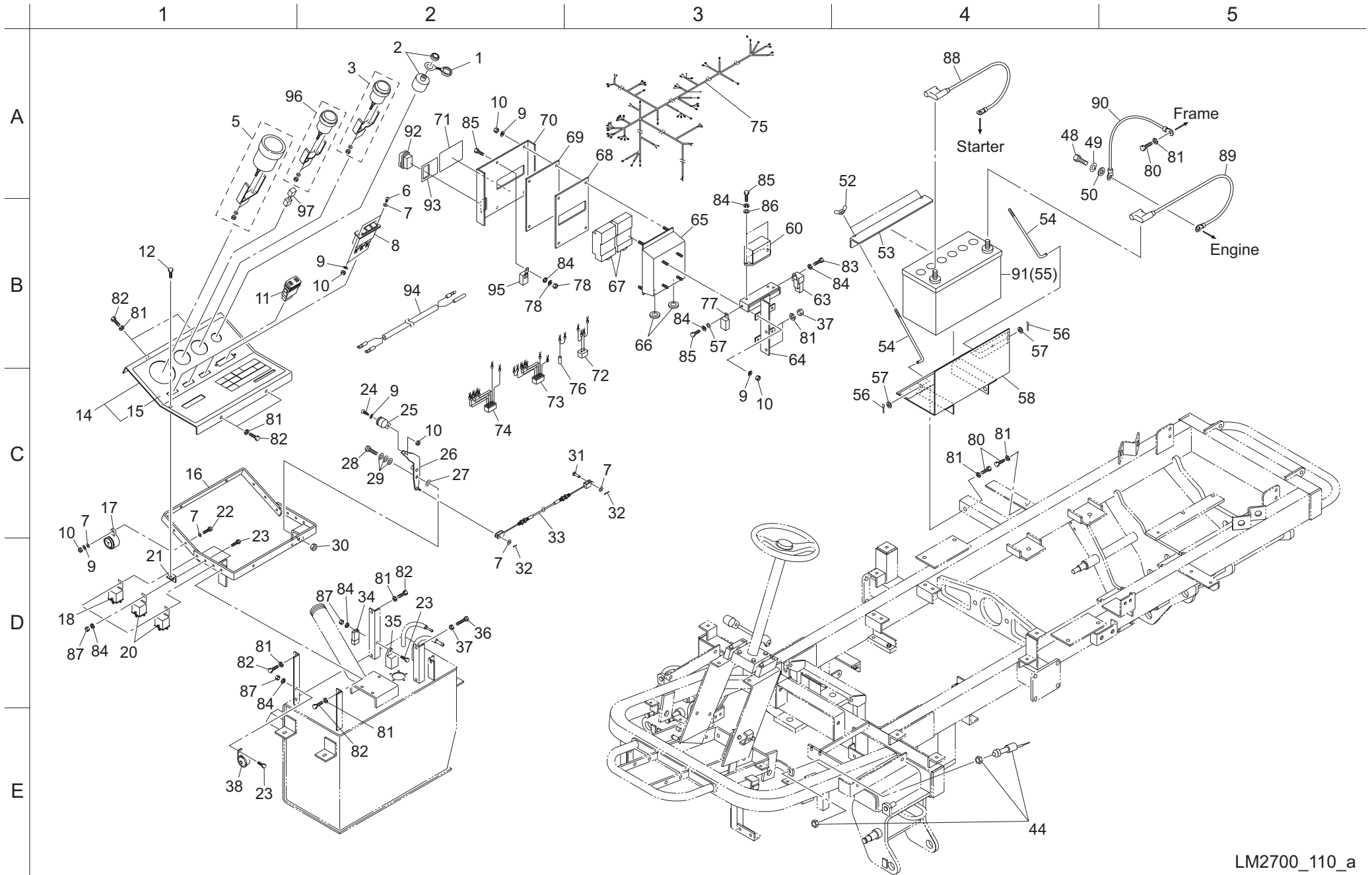


109. Engine parts A





110. Engine parts B

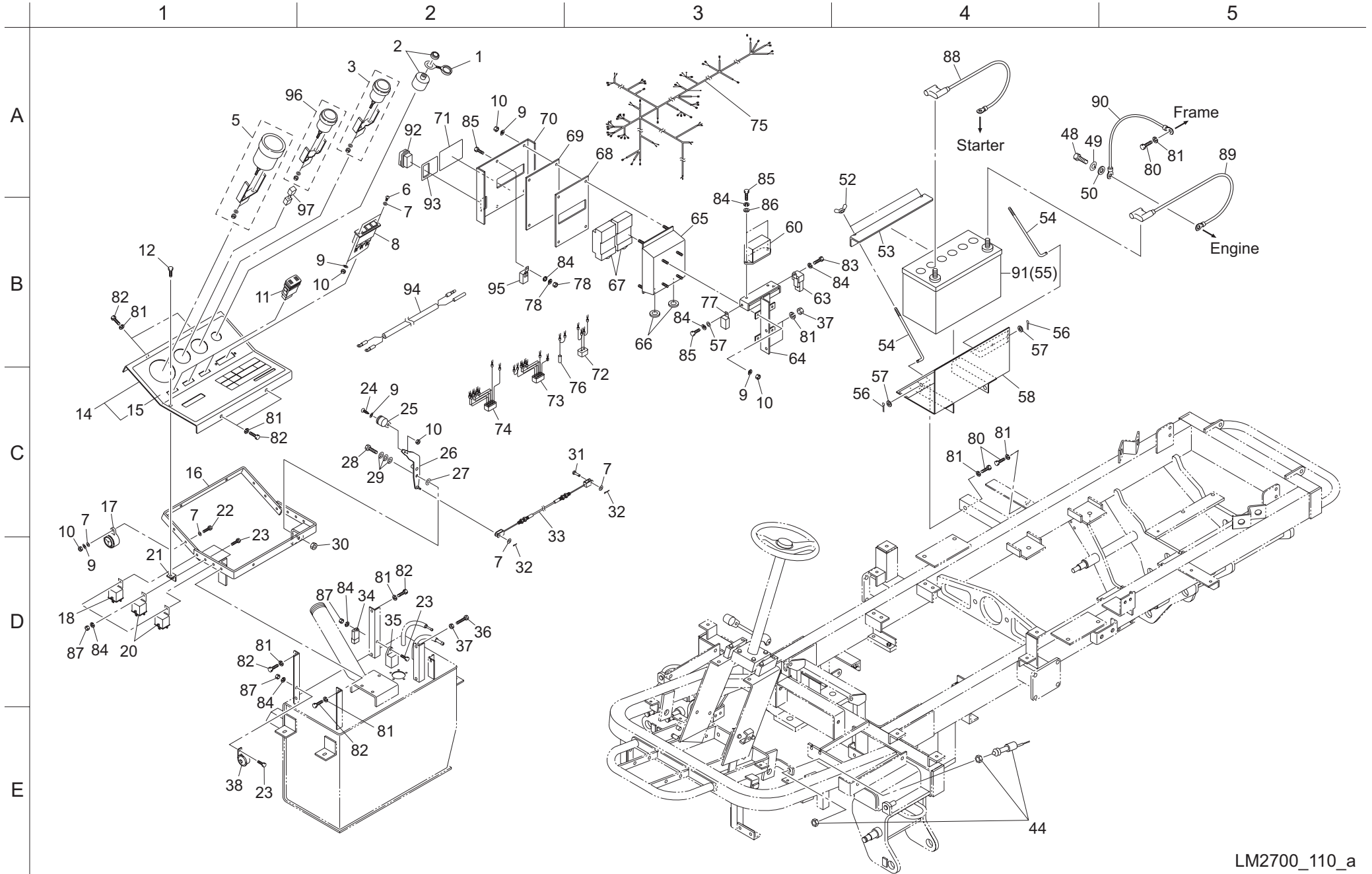




Cat No.	Code No.	Part name	Qty	Remark
110-1	PF54611-4112-1	STARTER SWITCH CAP	1	
110-2	PF15248-6359-2	STARTER SWITCH ASSY	1	
110-3	K3653000010	FUEL GAUGE 52BG2	1	
110-4				
110-5	PF17492-8301-2	HOUR METER ASSY (WITH RPM,HR)	1	
110-6	K0042050122	5+ ROUND HEAD SMALL SCREW 12	2	
110-7	K5000050002	5 WASHER	6	
110-8	K3641000040	PILOT LAMP	1	
110-9	K0200050002	5S WASHER	12	
110-10	K0100050002	5 NUT	12	
110a-11	K3661000050	SEESAW SWITCH	3	
110-12	K0062080122	8 HEXAGONAL SOCKET BUTTON BOLT 12	1	
110-13				
110a-14	LM2700-3902Z0	INSTRUMENT MOUNT PLATE COMP	1	
110a-15	LM2700-0959Z0	OPERATION LABEL(ENGLISH)	1	
110-16	LM2700-0937ZD	INSTRUMENT MOUNT FRAME	1	
110-17	K3700000010	BUZZER TYPE EBM-12	1	
110-18	K3681000080	POWER RELAY MR5A602A1K	1	
110-19				
110-20	K3681000070	POWER RELAY MR5A411A1K	2	
110-21	LM2700-0954ZD	3 ANGLE WITH TAP 2525	1	
110-22	K0000050252	5 BOLT 25	1	
110a-23	K0000060202	6 BOLT 20	4	
110-24	K0042050082	5+ ROUND HEAD SMALL SCREW 8	1	
110-25	K1301000150	THROTTLE LEVER GRIP	1	
110-26	LM2700-0560Z2	THROTTLE LEVER	1	
110-27	K5011010202	1SPCC METAL WASHER 1020	1	
110-28	K0011100302	10 HEAT-TREATED BOLT 30P1.25	1	
110-29	K0210100002	10 DISC SPRING L	3	
110-30	K0103100002	10 NUT P1.25	1	
110-31	K6030050152	5 FLAT HEAD PIN 15	1	
110-32	K0300020202	2 SPLIT COTTER PIN 20	2	
110-33	K1110168020	THROTTLE WIRE 1680	1	
110-34	PF1K574-6022-1	RELAY COMP(12VA,D)	1	
110-35	PF15694-6599-2	TIMER(GLOW LAMP)	1	

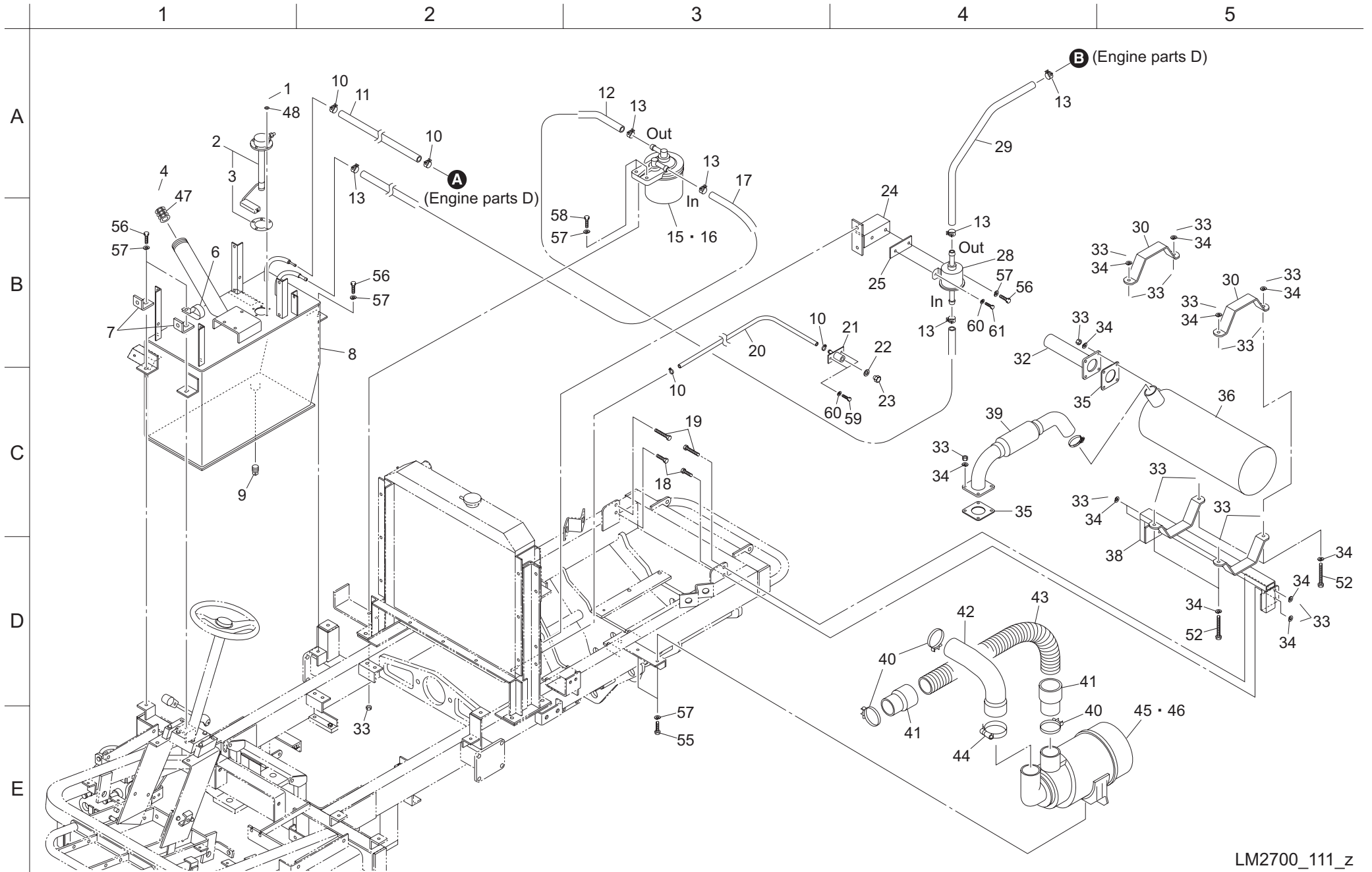
Cat No.	Code No.	Part name	Qty	Remark
110-36	K0000080402	8 BOLT 40	1	
110a-37	K0100080002	8 NUT	3	
110-38	K3700000030	BUZZER EBS-12 WITH STAY	1	
110a-39				
110a-40				
110-41				
110a-42				
110a-43				
110-44	K3671000150	SAFETY SWITCH V17680A	1	
110-45				
110-46				
110-47				
110-48	K0002120202	12 BOLT 20P1.25	1	
110-49	K0200120002	12S WASHER	1	
110-50	K5000120002	12 WASHER	1	
110-51				
110-52	K0141060002	6 WING NUT 3	2	
110-53	GM2800-0604ZD	BATTERY SUPPORT	1	
110-54	LM2700-0546ZD	BATTERY SUPPORT ROD	2	
110-55	K3600000180	BATTERY FX105D31R	1	Mounted from Japan
110-56	K0300016122	1.6 SPLIT PIN 12	2	
110-57	K5000060002	6 WASHER	5	
110-58	LM2700-0545ZD	BATTERY CASE	1	
110-59				
110-60	K3630000090	MINI-FUSE BLOCK 10P-A	1	
110-61				
110-62	K3681000060	RELAY CALAF-12V-N-5	1	
110-63	K3630000150	FUSIBLE LINK 50A	1	
110-64	LM2700-0551ZD	BOX BRACKET	1	
110-65	GM2800-0516ZD	RELAY BOX	1	
110-66	K0900300160	GROMMET WITH FILM C305G16A	2	
110-67	K3680000030	TERMINAL RELAY G6B-4CB	2	
110-68	GM2800-0517Z0	1 RUBBER PACKING 134189	1	
110-69	GM2800-0518Z0	1.5 ACRYLIC BOARD 134189	1	
110a-70	LM2700-0577ZD	BOX COVER	1	

110. Engine parts B



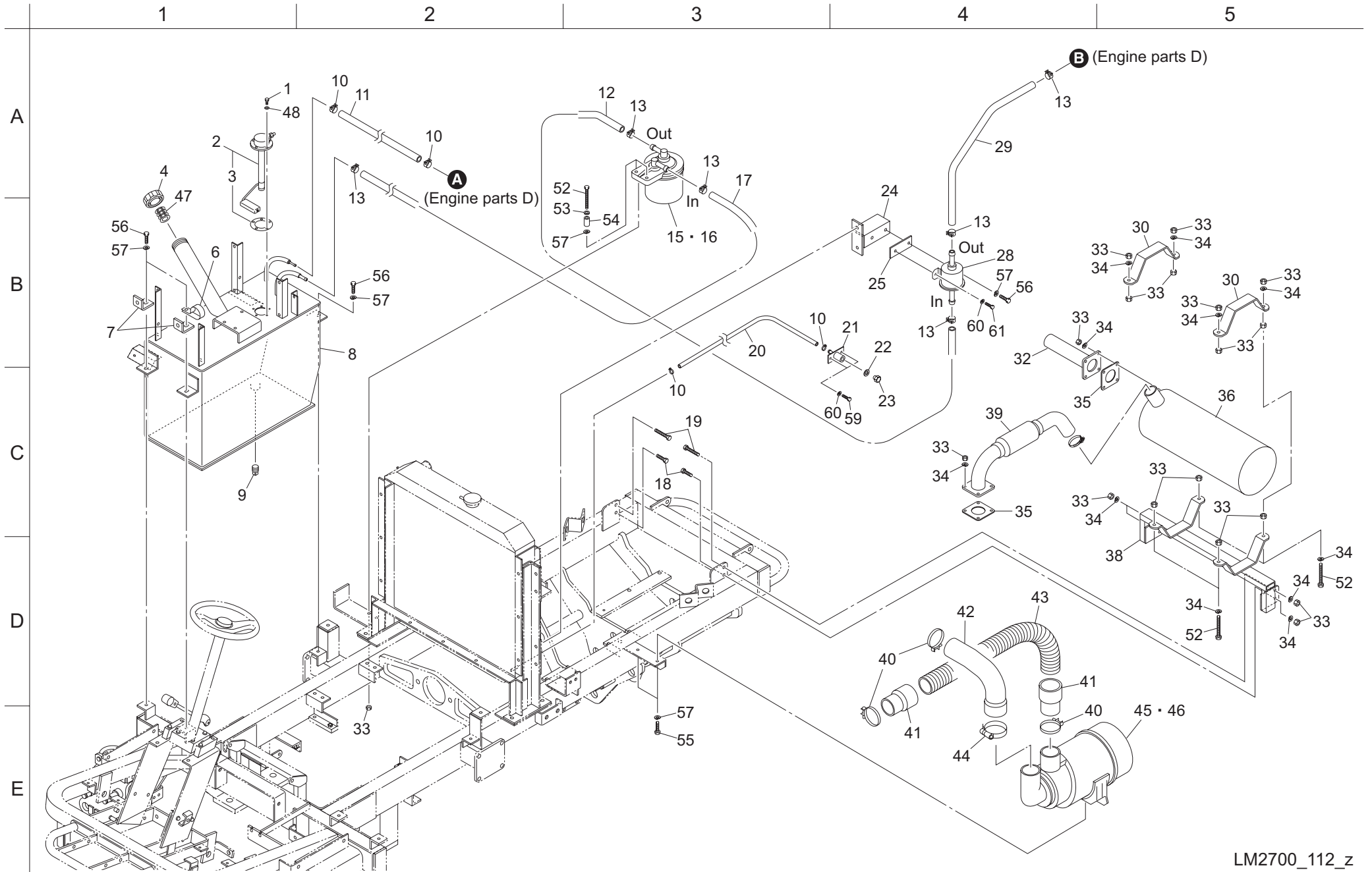


111. Engine parts C (26inch)





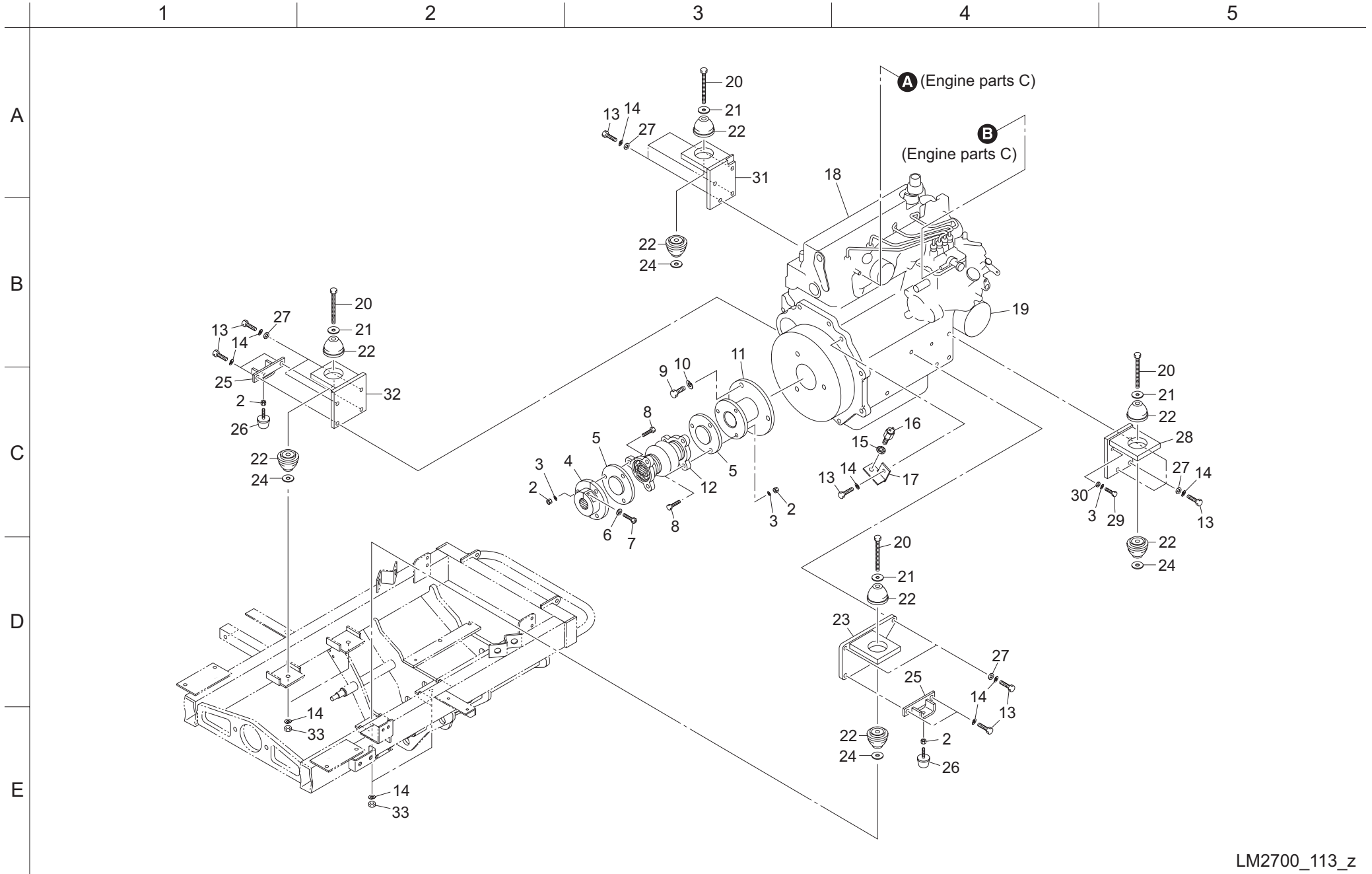
112. Engine parts C (22inch)





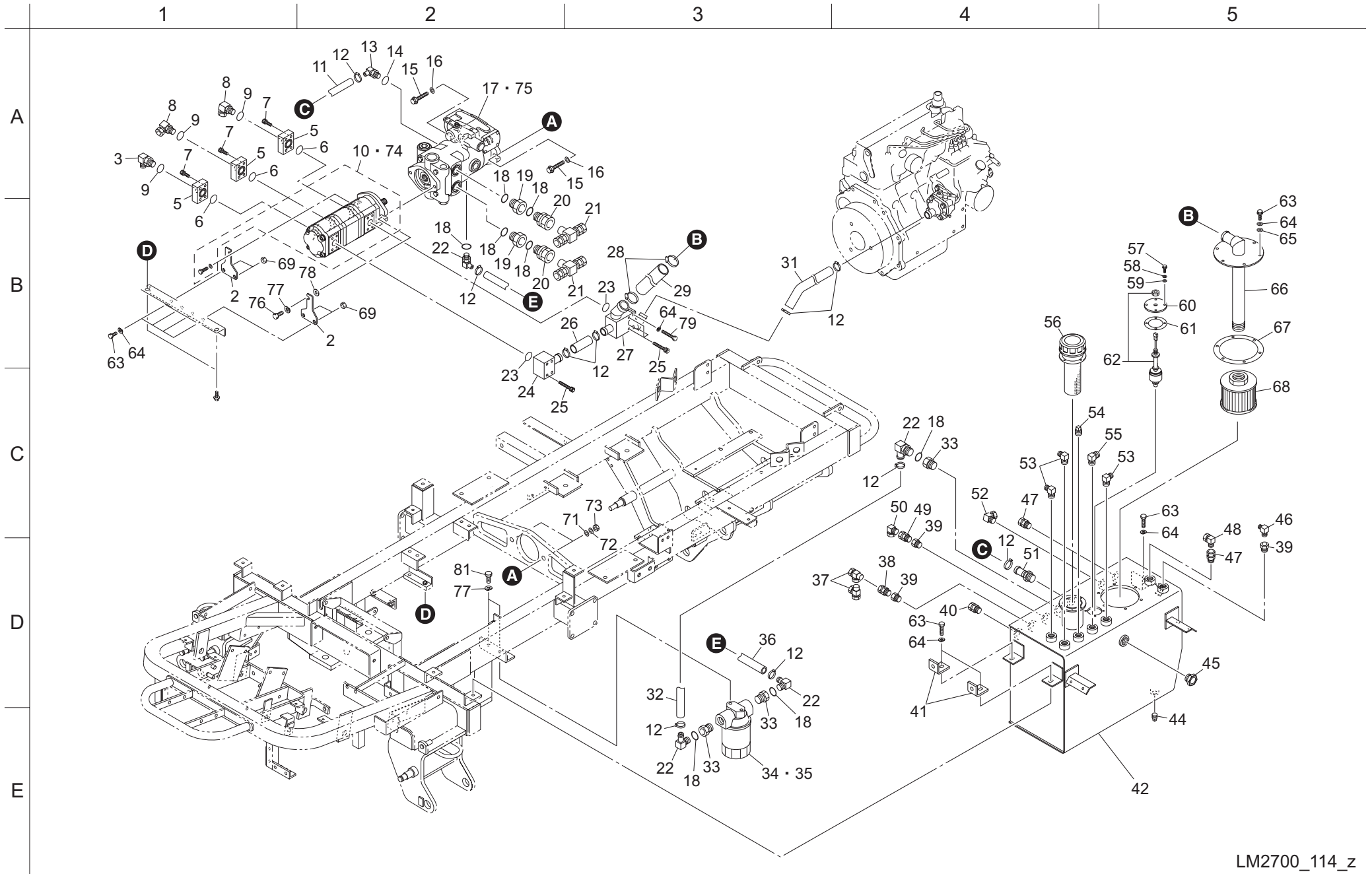


113. Engine parts D





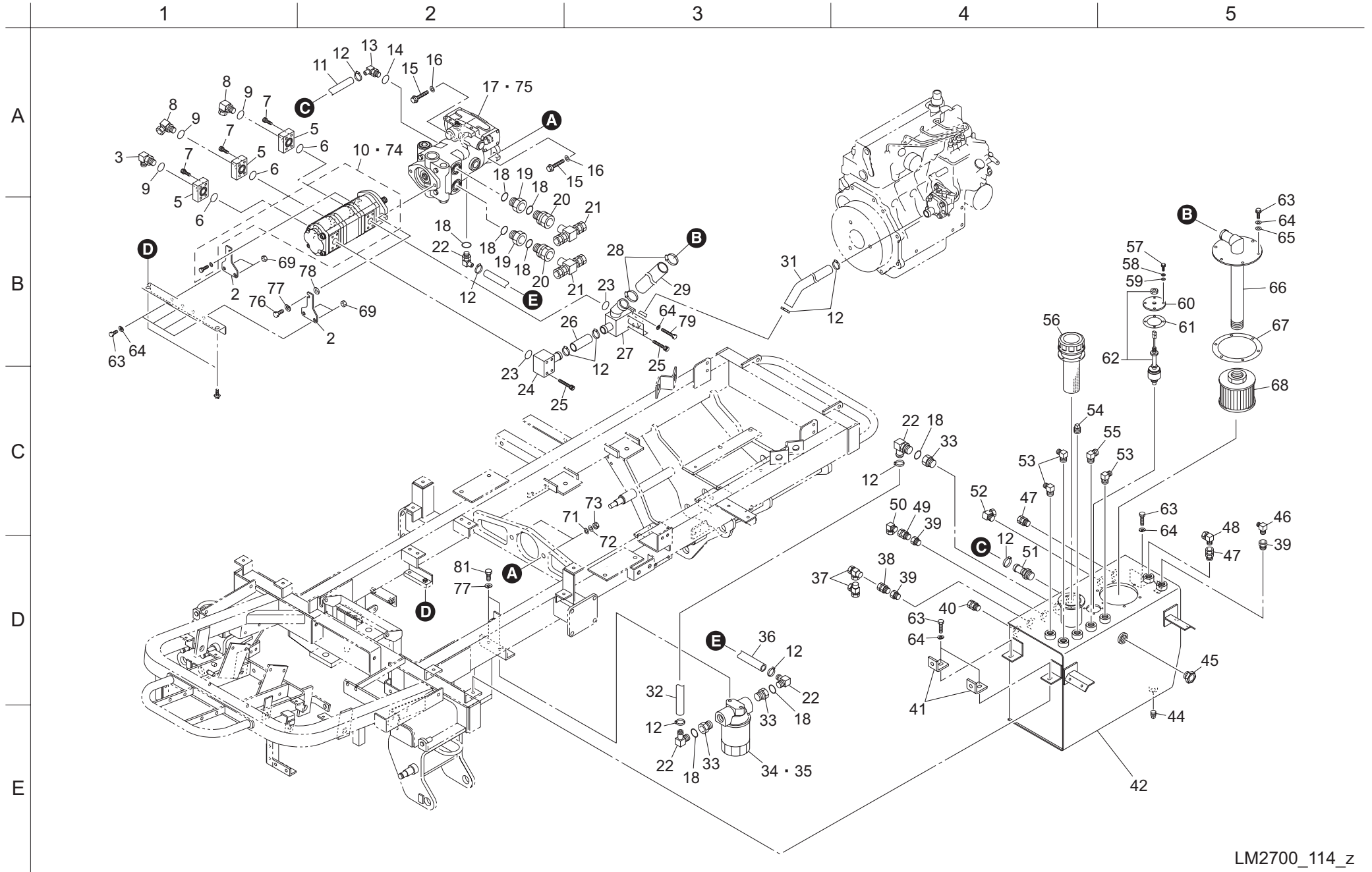
114. Hydraulic parts A



Cat No.	Code No.	Part name	Qty	Remark
114-1				
114-2	LM2700-0803ZD	PUMP SUPPORT PLATE	2	
114-3	K3008000352-Y	90 DIFFERENT-DIAMETER ELBOW PF3/8PF1/2	1	
114-4				
114-5	LM2700-0830Z2-Y	DISCHARGE FLANGE	3	
114-6	K0881028000	O-RING P28B	3	
114-7	K0024080251	8 HEX. SOCKET HEAD BOLT 25	12	
114-8	K3026412081-Y	ELBOW NIPPLE KL012-040E	2	
114-9	K0881018000	O-RING P18B	3	
114-10	K3252000040	GEAR PUMP PBBB222	1	
114-11	LM2700-0870Z0	25 SUCTION HOSE 630	1	
114-12	K4260000190	JUBILEE BAND 1	10	
114-13	K3008000302-Y	ADJUSTABLE ELBOW FPD21941	1	
114-14	K0887009120	O-RING AS568-912	1	
114-15	K0010120502	12 HEAT-TREATED BOLT 50	2	
114-16	K5073212352	3.2SPHC METAL WASHER 1235	2	
114a-17	K3244000040	PISTON PUMP 72400	1	
114-18	K0887009160	O-RING AS568-916	8	
114-19	K3008000632-Y	O-RING CONNECTOR 4043-1 5/16-O	2	
114-20	K3008000622-Y	O-RING CONNECTOR 1202-25-1 5/16	2	
114-21	K3027025001-Y	TEE KTB25-000E	2	
114-22	K3008000312-Y	ADJUSTABLE ELBOW FPD21939	4	
114-23	K0883025000	O-RING 1AG-25	2	
114-24	LM2700-0805A2-Y	SUCTION FLANGE	1	
114-25	K0024080601	8 BOLT WITH HEX. HOLE 60	7	
114-26	LM2700-3844Z0	BYPASS HOSE	1	
114-27	LM2700-0804B2-Y	COMMON SUCTION FLANGE	1	
114-28	K4260000200	JUBILEE BAND 2A	2	
114-29	LM2700-0872Z0	38 SUCTION HOSE 390	1	
114-30				
114-31	LM2700-0871Z0	25 SUCTION HOSE 780	1	
114-32	LM2700-0868Z0	25 SUCTION HOSE 210	1	
114-33	K3008000642-Y	O-RING CONNECTOR 4400-25-16	3	
114-34	K3410000020	CARTRIDGE FILTER CF-08-10U	1	
114-35	K3410000030	CARTRIDGE FILTER F-913-1	1	

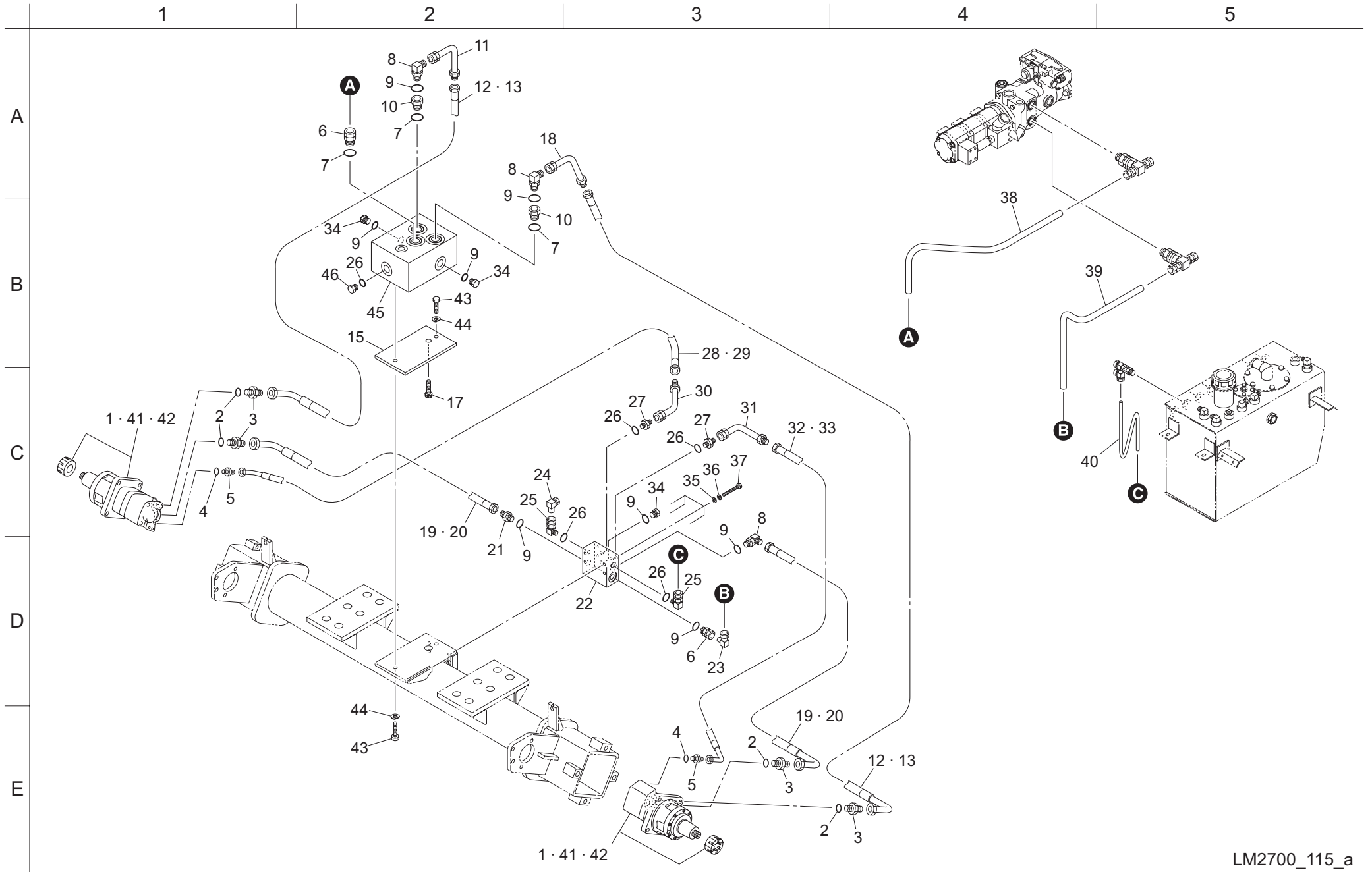
Cat No.	Code No.	Part name	Qty	Remark
114-36	LM2700-0869Z0	25 SUCTION HOSE 140	1	
114-37	K3027210001-Y	TEE KTC10-000E	2	
114-38	K3026610061-Y	CONNECTOR KCT10-030E	1	
114-39	K3020080601-Y	BUSHING BUT1/2*3/8	3	
114-40	K3026612081-Y	CONNECTOR KCT12-040E	1	
114-41	LM2700-0950ZD	SIDE COVER MOUNT PLATE	2	
114-42	LM2700-0801AD-Y	HYDRAULIC TANK	1	
114-43				
114-44	K1422106001-Y	HEX. SCKT. TAP. PLUG TYPE 1 3/8	1	
114-45	K1400000044-Y	PF3/4 OIL CAP M	1	
114-46	K3006000012-Y	DIFFERENT DIAMETER ELBOW PT3/8PF1/4	1	
114-47	K3026610081-Y	CONNECTOR KCT10-040E	2	
114-48	K3027110001-Y	ELBOW KLC10-000E	1	
114-49	K3026612061-Y	CONNECTOR KCT12-030E	1	
114-50	K3027112001-Y	ELBOW KLC12-000E	1	
114-51	K3009000132-Y	SPECIAL ADAPTOR MO-JS-25	1	
114-52	K3028012081-Y	ELBOW KLN12-040E	1	
114-53	K3006000022-Y	DIFF. DMTR. ELBOW PT1/2PF3/8	3	
114-54	K1422108001-Y	TAPER PLUG WITH HEX. HOLE 1PC 1/2	1	
114-55	K3001120002-Y	90 ELBOW 1033-12	1	
114-56	K3400000030	REFUELING HOLE BREATHER FAB-50	1	
114-57	K0000060202	6 BOLT 20	4	
114-58	K0200060002	6S WASHER	4	
114-59	K5000060002	6 WASHER	4	
114-60	LM526--0809Z2-Y	OIL LEVEL SENSOR MOUNT PLATE	1	
114-61	LM526--0808Z0	PACKING	1	
114-62	K3720000130	LEVEL SWITCH	1	
114-63	K0000080202	8 BOLT 20	12	
114-64	K0200080002	8S WASHER	14	
114-65	K5000080002	8 WASHER	6	
114-66	LM2700-0802Z2-Y	SUCTION HOSE ATTACHMENT	1	
114-67	LM535E-0434Z0	SUCTION PACKING	1	
114-68	K3413000040	SUCTION FILTER SFT-10-150W	1	
114-69	K0100080002	8 NUT	4	
114-70				

114. Hydraulic parts A





115. Hydraulic parts B

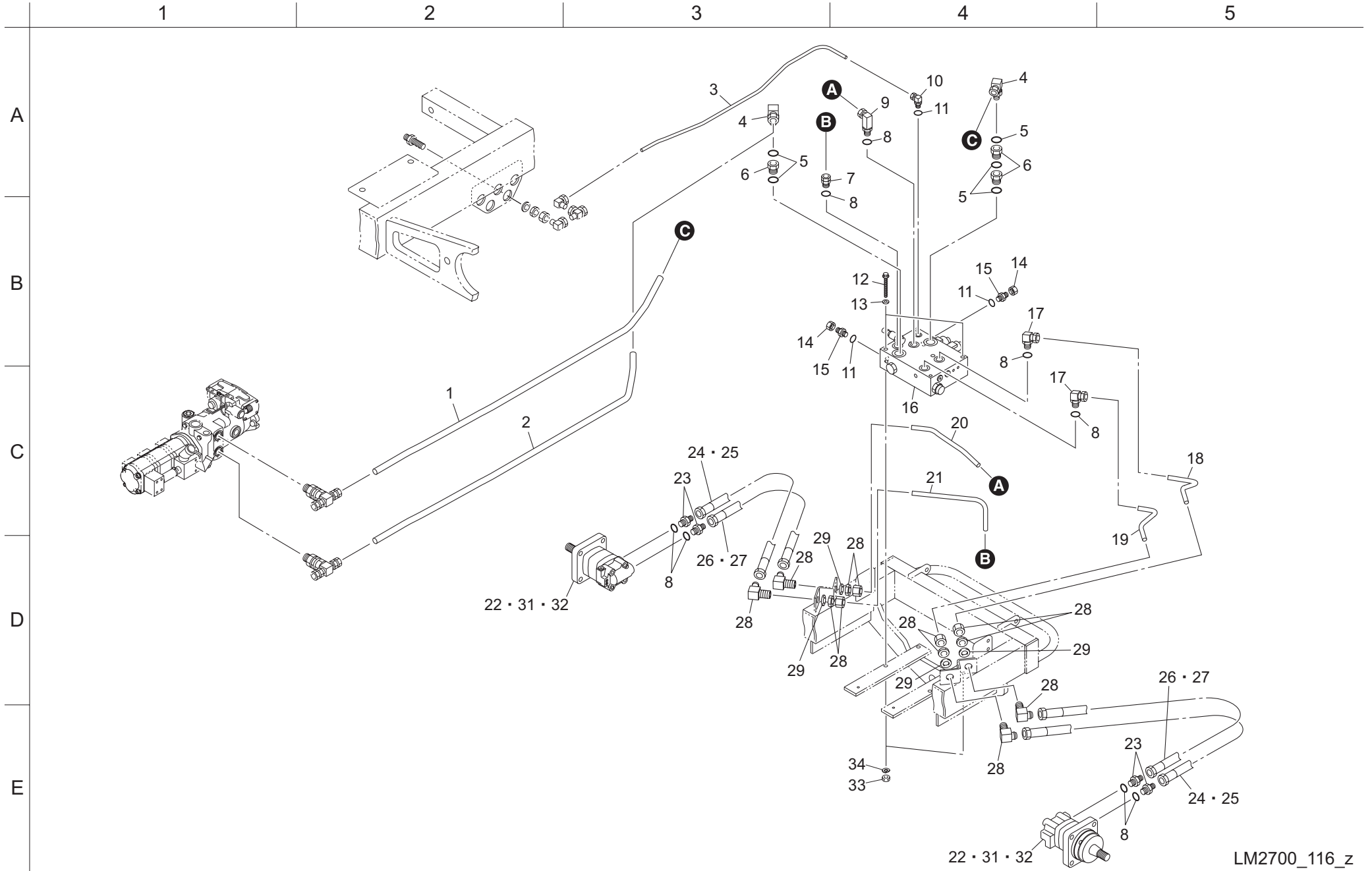




Cat No.	Code No.	Part name	Qty	Remark
115-1	K3291000180	WHEEL MOTOR 4-330BBAS-F9183	2	
115-2	K0887009120	O-RING AS568-912	4	
115-3	K3008000382-Y	O-RING CONNECTOR 1	4	
115-4	K0887009040	O-RING AS568-904	2	
115-5	K3008000342-Y	O-RING CONNECTOR 1096-6	2	
115-6	K3026325121-Y	CONNECTOR KCO25-060E	2	
115-7	K0881024000	O-RING P24B	3	
115-8	K3008000042-Y	90 ADJUSTER ELBOW 1086-12	3	
115a-9	K0881018000	O-RING P18B	8	
115-10	K3029000312-Y	SPECIAL BUSHING PF1/2 PF3/4	2	
115-11	K3025069082-Y	PIPE ADAPTER 069-08	1	
115-12	K3106430710	WP245-12 HOSE 3-700	2	
115-13	K3191006100	SP-15 COIL TUBE 610	2	
115a-14				
115-15	LM2700-0831ZD	PLATE	1	
115-16				
115-17	K0024100151	10 BOLT WITH HEX. HOLE 15	1	
115-18	K302506L082-Y	PIPE ADAPTOR 06L-08	1	
115-19	K3106430610	WP245-12 HOSE 3-610	2	
115-20	K3191005100	SP-15 COIL TUBE 510	2	
115-21	K3009000092-Y	SPECIAL ADAPTER PF1/2 PF1/2	1	
115-22	LM2700-0821Z2-Y	MANIFOLD	1	
115-23	K3027125001-Y	ELBOW KLC25-000E	1	
115-24	K3027110001-Y	ELBOW KLC10-000E	1	
115-25	K3026410041-Y	ELBOW NIPPLE KLO10-020E	2	
115a-26	K0881011000	O-RING P11B	5	
115-27	K3008000232-Y	O-RING CONNECTOR PF1/4 PF1/4	2	
115-28	K3101220740	WP70-6 HOSE 2-740	1	
115-29	K3190006400	SP-12 COIL TUBE 640	1	
115-30	K3025064042-Y	PIPE ADAPTER 06-04	1	
115-31	K3025069042-Y	PIPE ADAPTOR 069-04	1	
115-32	K3101220690	WP70-6 HOSE 2-690	1	
115-33	K3190005900	SP-12 COIL TUBE 590	1	
115a-34	K1420000232-Y	O-RING PLUG 215-PF1/2	3	
115-35	K5000080002	8 WASHER	4	

Cat No.	Code No.	Part name	Qty	Remark
115-36	K0200080002	8S WASHER	4	
115-37	K0000080702	8 BOLT 70	4	
115-38	LM2700-0824Z2-Y	PISTON PUMP PIPE C 1	1	
115-39	LM2700-0825Z2-Y	PISTON PUMP PIPE D 1	1	
115-40	LM2700-0846Z2-Y	FRONT WHEEL MANIFOLD DRAIN PIPE 1	1	
115-41	Y61234	SEAL KIT (REAR SIDE) FOR WHEEL MOTOR 4-330BBAS	2	
115-42	YAE0235A	SEAL KIT 2 (SHAFT SIDE) FOR WHEEL MOTOR 4-330BBAS	2	
115-43	K0000100302	10 BOLT 30	2	
115-44	K0200100002	10S WASHER	2	
115a-45	LM2700-4901Z2-Y	MANIFOLD B	1	
115a-46	K1420000222-Y	O-RING PLUG 215-PF1/4	1	

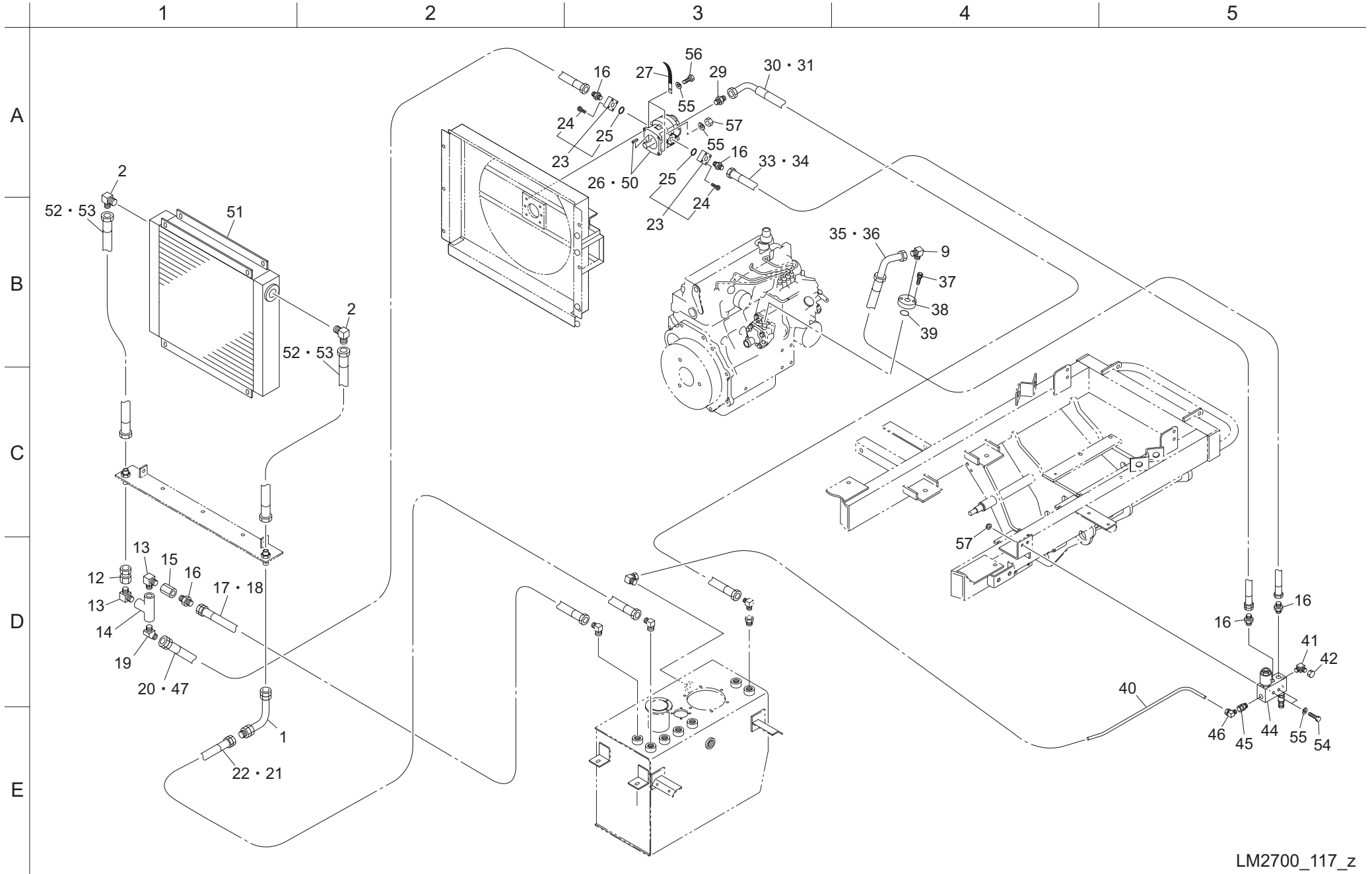
116. Hydraulic parts C



Cat No.	Code No.	Part name	Qty	Remark
116-1	LM2700-0822Z2-Y	PISTON PUMP PIPE A	1	
116-2	LM2700-0823Z2-Y	PISTON PUMP PIPE B	1	
116-3	LM2700-0836Z2-Y	V5260 DRAIN PIPE	1	
116-4	K3026425121-Y	ELBOW NIPPLE KLO25-060E	2	
116-5	K0881024000	O-RING P24B	5	
116-6	K3008000662-Y	O-RING CONNECTOR 1110-19-19	3	
116-7	K3026316081-Y	CONNECTOR KC016-040E	1	
116-8	K0881018000	O-RING P18B	8	
116-9	K3028416081-Y	LONG ELBOW NIPPLE KLG16-040E	1	
116-10	K3026410041-Y	ELBOW NIPPLE KLO10-020E	1	
116-11	K0881011000	O-RING P11B	3	
116-12	K0000101002	10 BOLT 100	2	
116-13	K5000100002	10 WASHER	2	
116-14	K3008000482-Y	SCREW CAP (FEMALE) PF1/4	2	
116-15	K3008000232-Y	O-RING CONNECTOR PF1/4 PF1/4	2	
116-16	K3313000290	SOLENOID VALVE V4205COMP	1	
116-17	K3026416081-Y	ELBOW NIPPLE KLO16-040E	2	
116-18	LM2700-0826Z2-Y	REAR WHEEL PIPE A	1	
116-19	LM2700-0827Z2-Y	REAR WHEEL PIPE B	1	
116-20	LM2700-0829Z2-Y	REAR WHEEL PIPE D	1	
116-21	LM2700-0828Z2-Y	REAR WHEEL PIPE C	1	
116-22	K3291000130	ORBIT MOTOR 2-160BS4S	2	
116-23	K3009000092-Y	SPECIAL ADAPTER PF1/2 PF1/2	4	
116-24	K3106410850	WP245-12 HOSE 1-850	2	
116-25	K3191007500	SP-15 COIL TUBE 750	2	
116-26	K3106410800	WP245-12 HOSE 1-800	2	
116-27	K3191007000	SP-15 COIL TUBE 700	2	
116-28	K3028716081-Y	BULKHEAD UNION ELBOW KLH16-040E	4	
116-29	K0214240001	24 METAL WASHER WITH CONICAL DISK SPRING 2L	4	
116-30				
116-31	Y61091S	2000 ORBIT MOTOR SEAL KIT (SHAFT)	2	
116-32	Y61090S	2000 ORBIT MOTOR SEAL KIT (REAR)	2	
116-33	K0100100002	10 NUT	2	
116-34	K0200100002	10S WASHER	2	

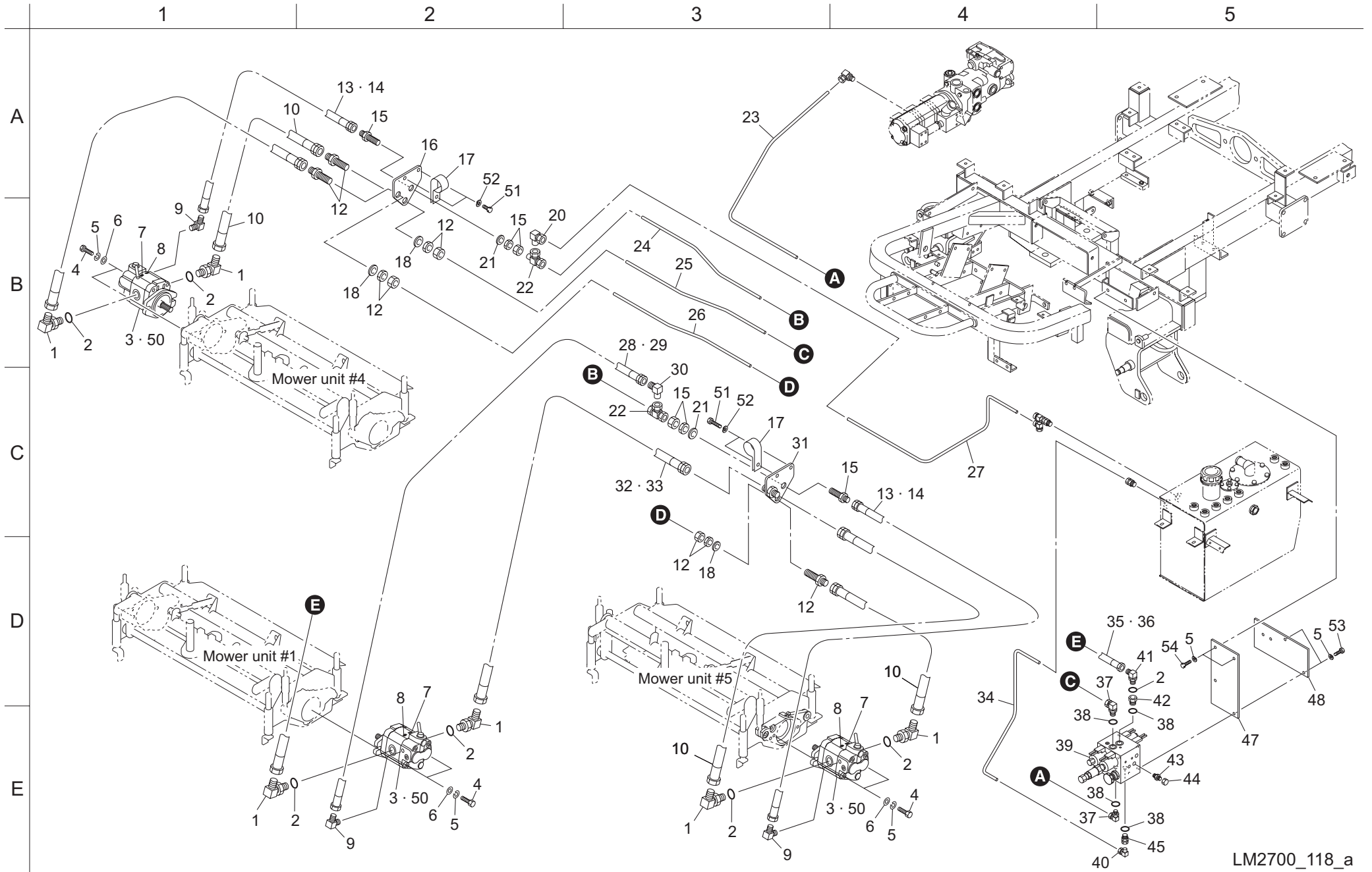
Cat No.	Code No.	Part name	Qty	Remark

117. Hydraulic parts D



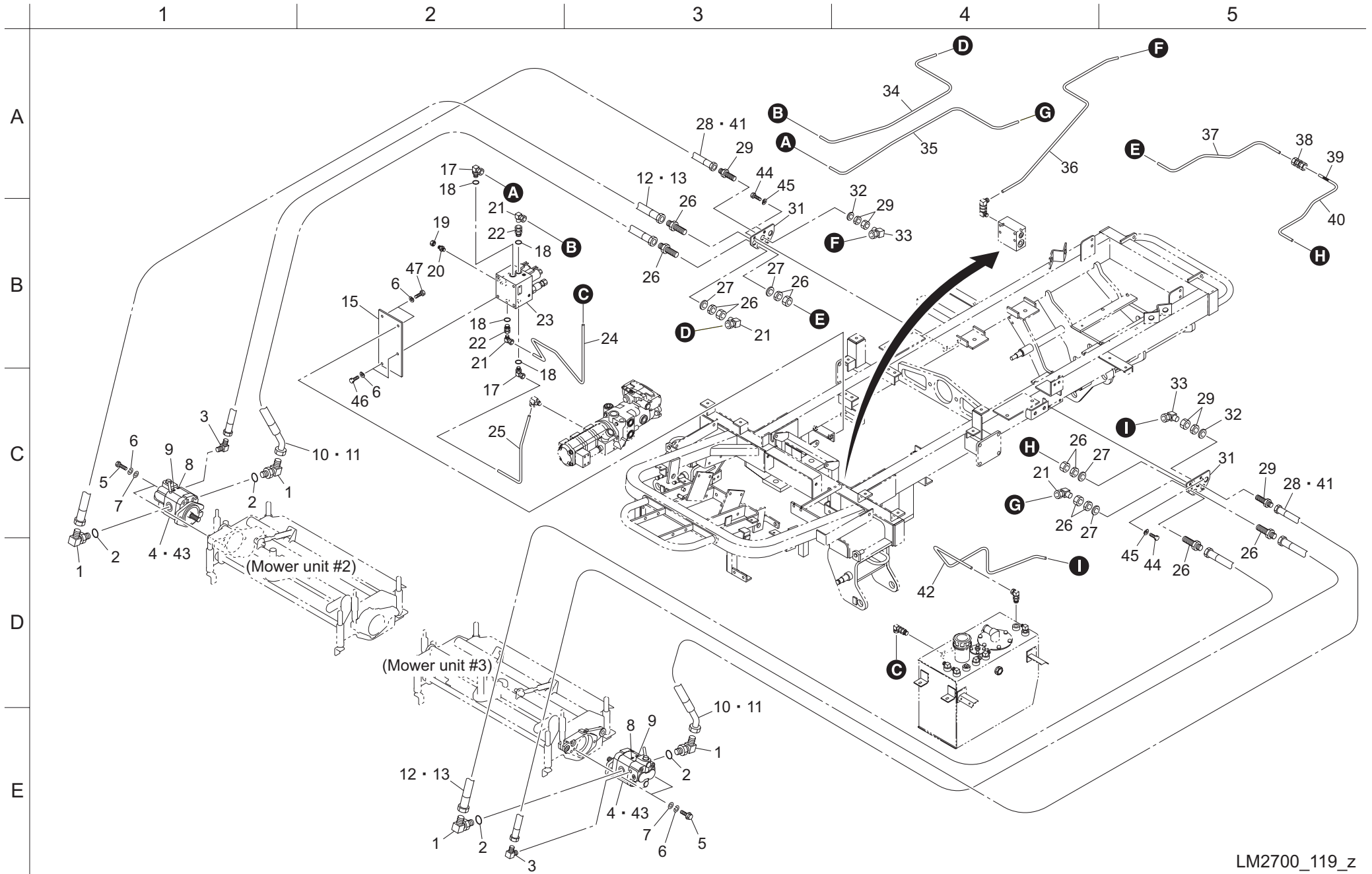


118. Hydraulic parts E





119. Hydraulic parts F









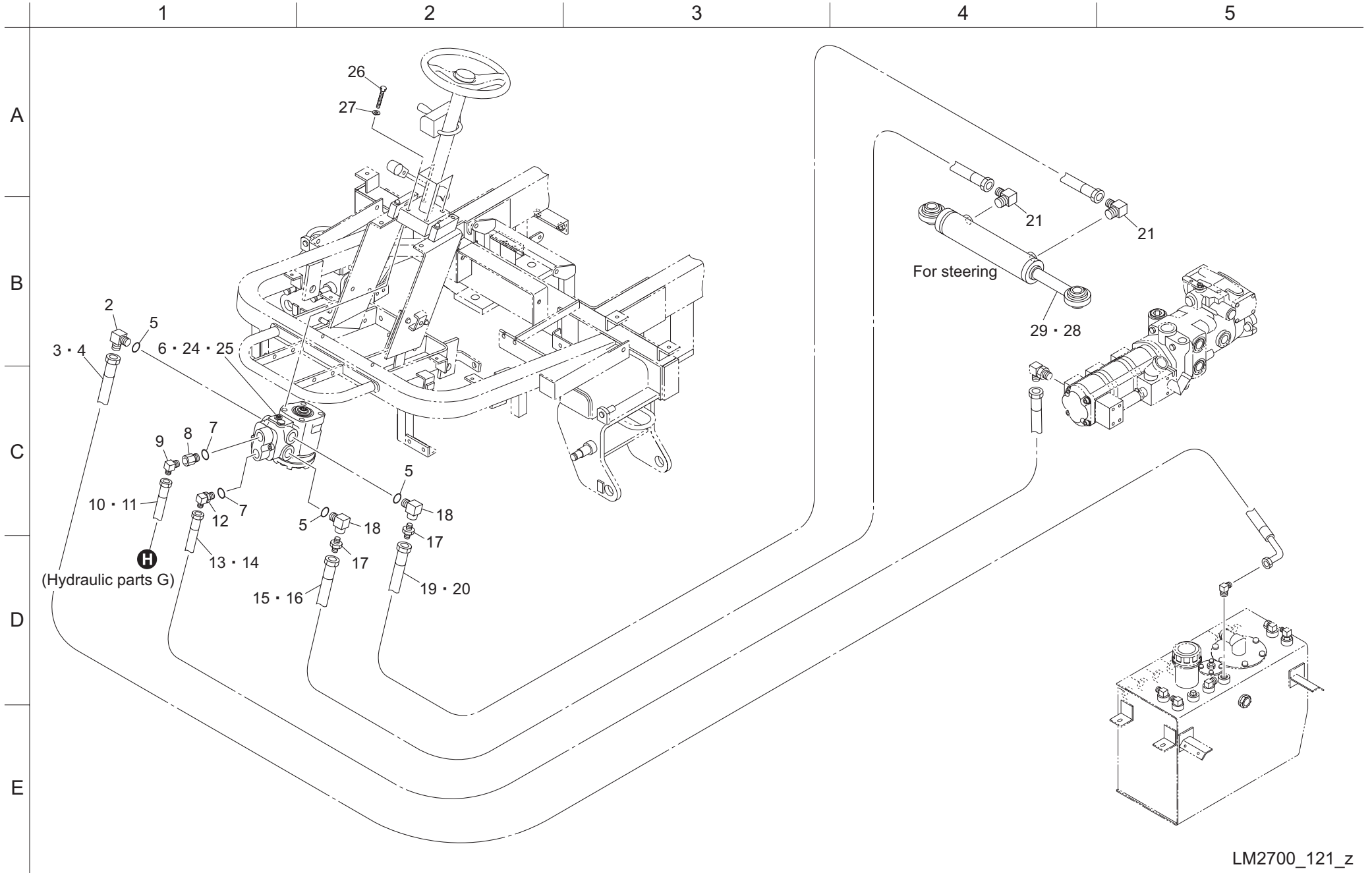
Cat No.	Code No.	Part name	Qty	Remark
120-1				
120-2	K3003060002-Y	45 ELBOW 1035-6	2	
120-3	K3101210650	WP70-6 HOSE 1-650	1	
120-4	K3190005500	SP-12 COIL TUBE 550	1	
120-5	K3001060002-Y	90 ELBOW 1033-6	5	
120-6	K3006000032-Y	DIFF. DMTR. ELBOW PT1/4PT3/8	2	
120-7	K3313000040	SOLENOID CHECK VALVE V4029	3	
120-8	K3009000042-Y	SPECIAL ADAPTER PF1/4PT3/8	2	
120a-9	LM2700-3842Z0	WP105-6 HOSE 2-800	1	
120a-10				
120-11	K302506L042-Y	PIPE ADAPTOR 06L-04	1	
120-12	K3009000272-Y	SPECIAL ADAPTOR 1013-6M6	1	
120-13	K0023000051-Y	6 HOLLOW SET SCREW 6-1.2	2	
120-14	LM2700-0834Z2-Y	CYLINDER MANIFOLD	1	
120-15	K3000060002-Y	ADAPTER 1013-6	2	
120-16	K3102230600	WP105-6 HOSE 3-600	1	
120-17	K3190005000	SP-12 COIL TUBE 500	2	
120-18	K3025069042-Y	PIPE ADAPTOR 069-04	1	
120-19	K3029000252-Y	90 ELBOW 1033-6M6	4	
120-20	K0023000061-Y	6 HOLLOW SET SCREW 6-1.6	1	
120-21				
120-22	K3101230600	WP70-6 HOSE 3-600	1	
120-23				
120-24	K3028010041-Y	ELBOW KLN10-020E	1	
120-25	K3026610041-Y	CONNECTOR KCT10-020E	1	
120-26	K3101211040	WP70-6 HOSE 1-1040	1	
120-27	K3190009400	SP-12 COIL TUBE 940	1	
120a-28	LM2700-3843Z0	WP105-6 HOSE 2-1100	1	
120a-29				
120-30	LM2700-0847Z2-Y	#1#4#5 CYLINDER PIPE	1	
120-31	K3028210061-Y	NIPPLE-IN-TEE KTN10-030E	1	
120-32	LM2700-0840Z2-Y	#2 CYLINDER PIPE	1	
120-33	LM2700-0865ZD	VALVE PLATE	1	
120-34				
120-35				

Cat No.	Code No.	Part name	Qty	Remark
120-36	K3028012061-Y	ELBOW KLN12-030E	1	
120-37	LM2700-0856Z2-Y	CYLINDER PIPE	1	
120-38	LM2700-0625ZD	SWITCH MOUNT PLATE	1	
120-39				
120-40	LM2700-0557Z0	PROXIMITY SENSOR E2E-X5E	1	
120-41	K0400012002	RETAINING RING E12	1	
120-42	LM2700-0874Z2	LEVER	1	
120-43	K1300000050	GRIP, BLACK 9-35.5	1	
120-44	K1440000030	GREASE NIPPLE, B TYPE	1	
120-45	LM2700-0873Z2	LEVER SUPPORT	1	
120-46	K3300000190	STUCK VALVE SV3-1191	1	
120-47	LM2700-0875Z2	JOINT PLATE	2	
120-48				
120-49	K3026412061-Y	ELBOW NIPPLE KL012-030E	1	
120-50	K0881018000	O-RING P18B	3	
120-51	K3029000072-Y	SPECIAL BUSHING PF3/8PT3/8	1	
120-52	K3003090002-Y	45 ELBOW 1035-9	1	
120-53	LM2700-0842Z2-Y	#3 CYLINDER DRAIN PIPE	1	
120-54	LM2700-0864ZD	PIPE RETAINING TOOL B	1	
120-55	K3009000172-Y	SPECIAL ADAPTER PF3/8PF1/2	1	
120-56	K3100421050	WP35-12 HOSE 2-1050	1	
120-57	K3191009500	SP-15 COIL TUBE 950	1	
120-58	K0100080002	8 NUT	3	
120-59				
120-60	K0023000011-Y	6 HOLLOW SET SCREW 6-1	2	
120-61	K3102220460	WP105-6 HOSE 2-460	2	
120-62	K3190003600	SP-12 COIL TUBE 360	2	
120-63	K3026910041-Y	BULKHEAD UNION KUE10-020E	4	
120-64	K3102230430	WP105-6 HOSE 3-430	2	
120-65	K3190003300	SP-12 COIL TUBE 330	2	
120-66	K0214160001	16 METAL WASHER WITH CONICAL DISK SPRING 2L	4	
120-67	K3027110001-Y	ELBOW KLC10-000E	5	
120-68	K3027210001-Y	TEE KTC10-000E	3	
120-69	LM2700-0837Z2-Y	#2#3 CYLINDER DRAIN PIPE	1	
120-70	K3028610001-Y	UNION KUA10-000E	2	



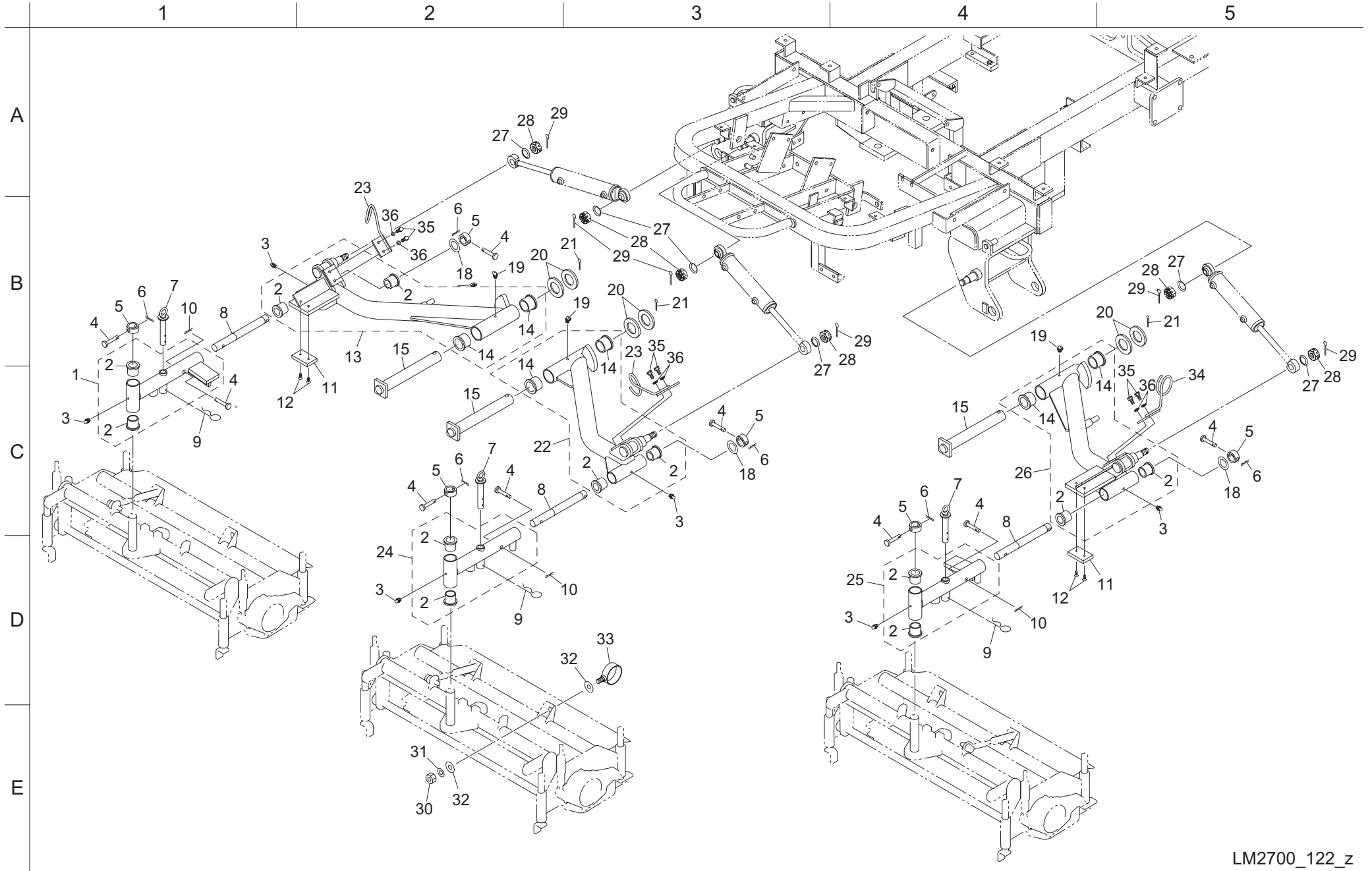


121. Hydraulic parts H





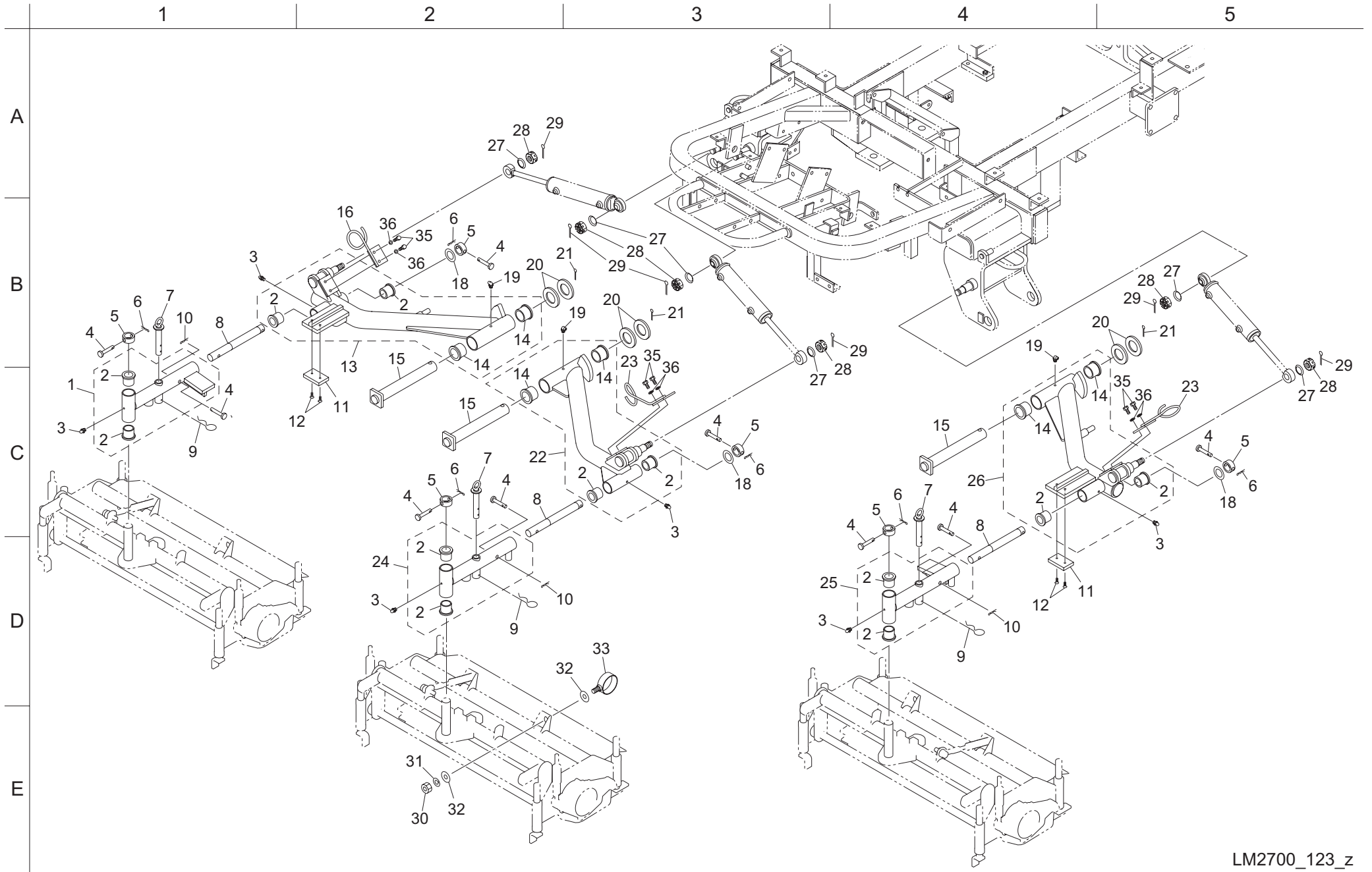
122. Lift arm front part (26inch)





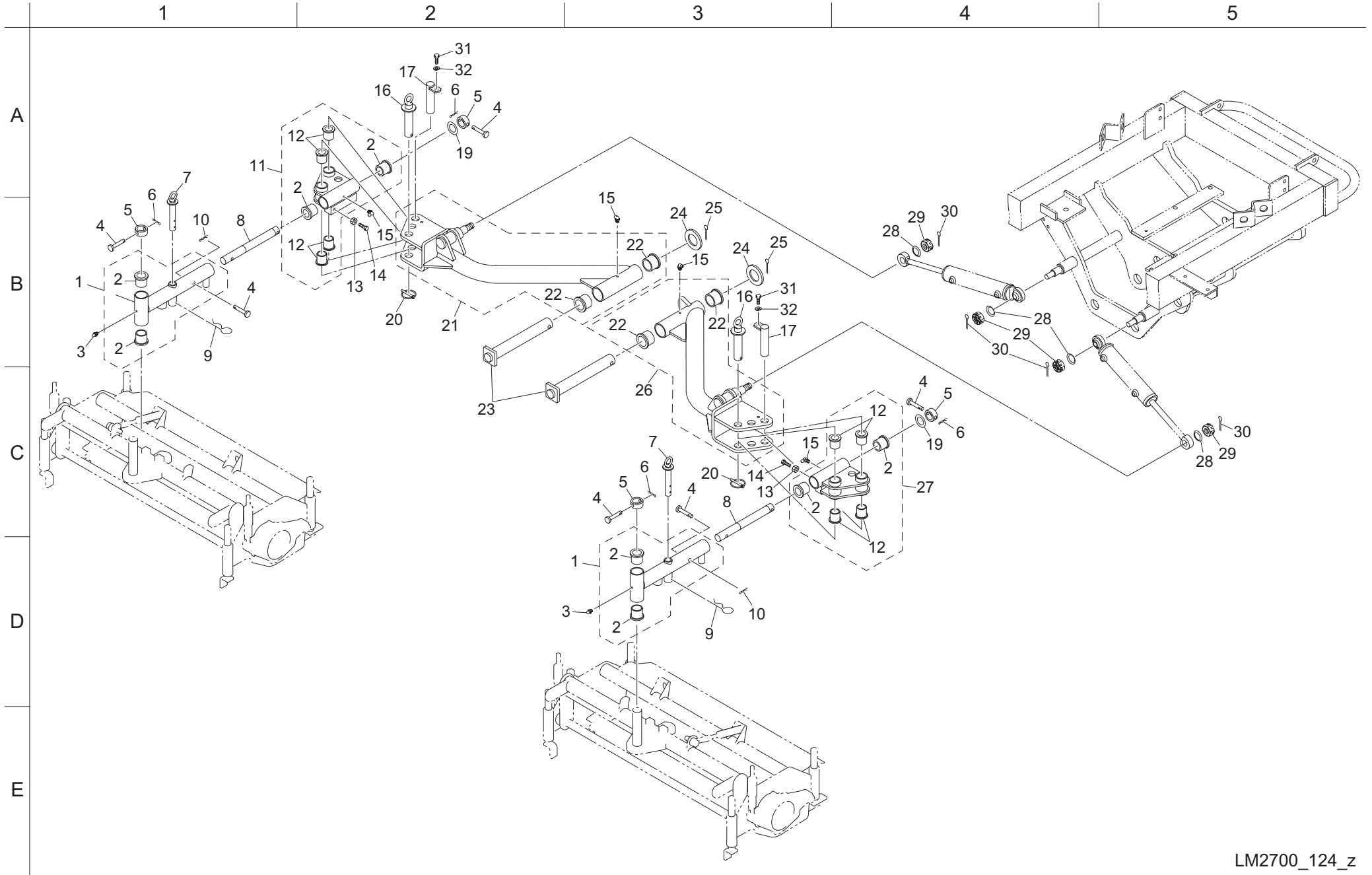


123. Lift arm front part (22inch)



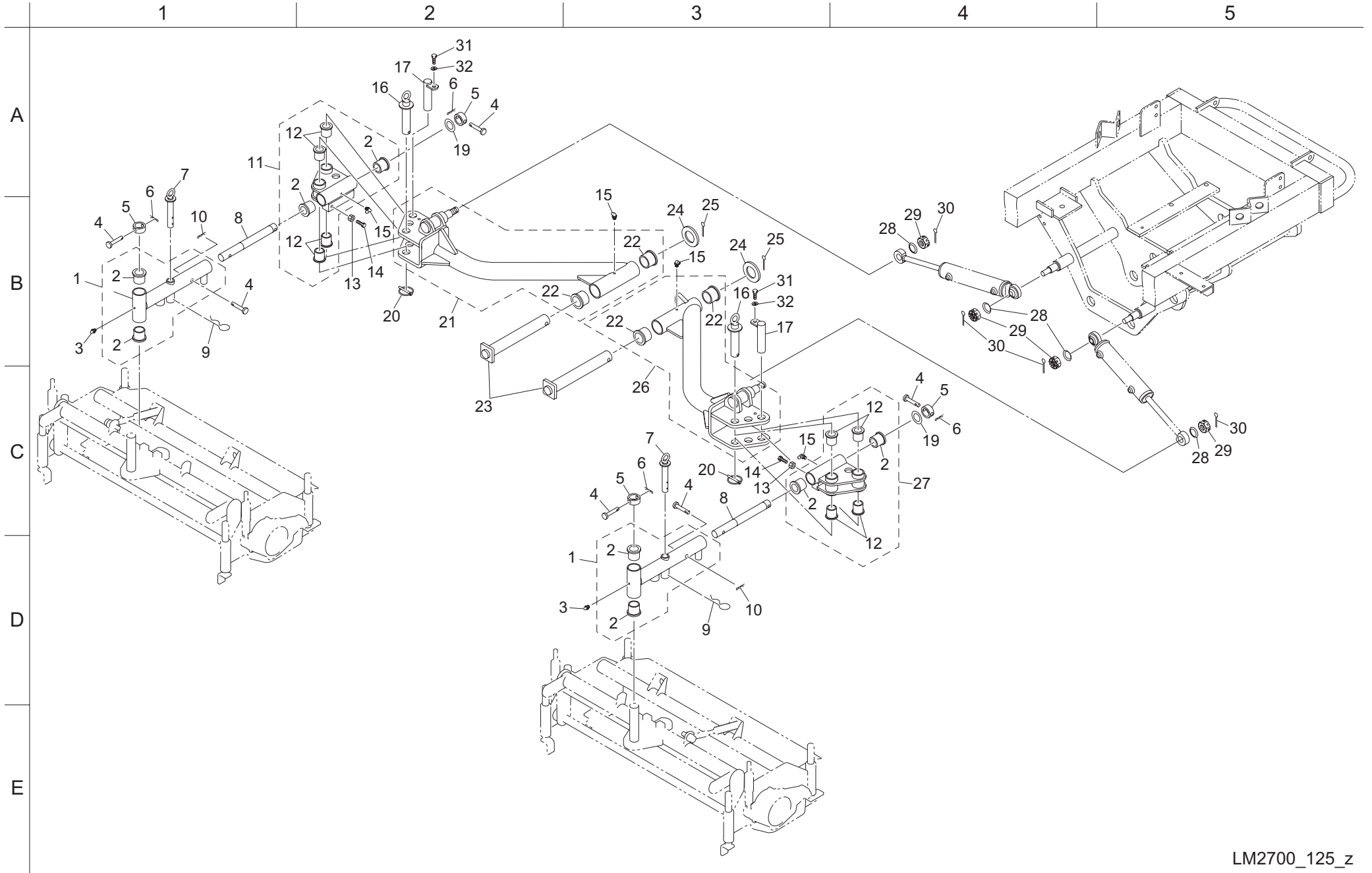


124. Lift arm rear part (26inch)





125. Lift arm rear part (22inch)



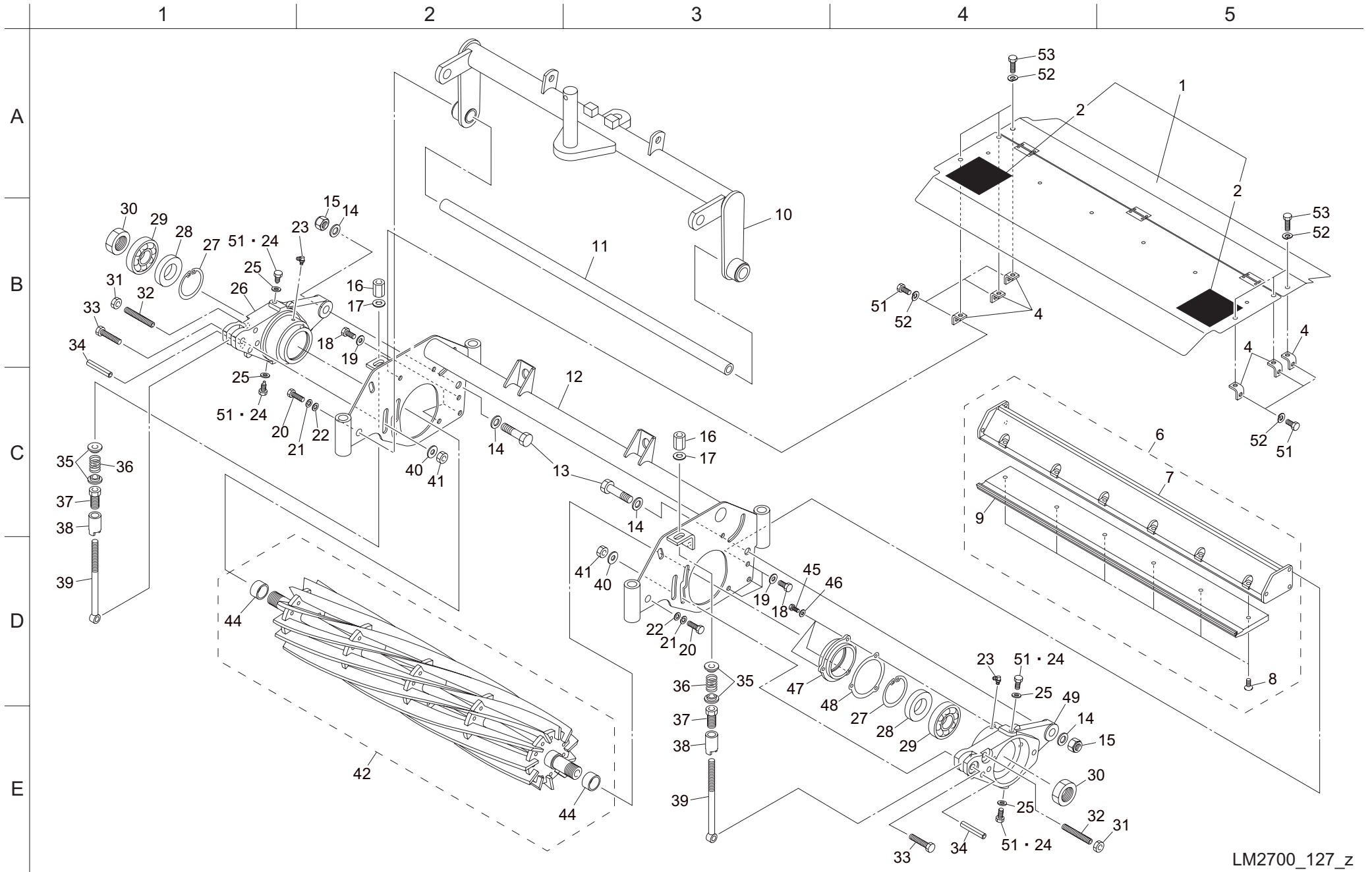






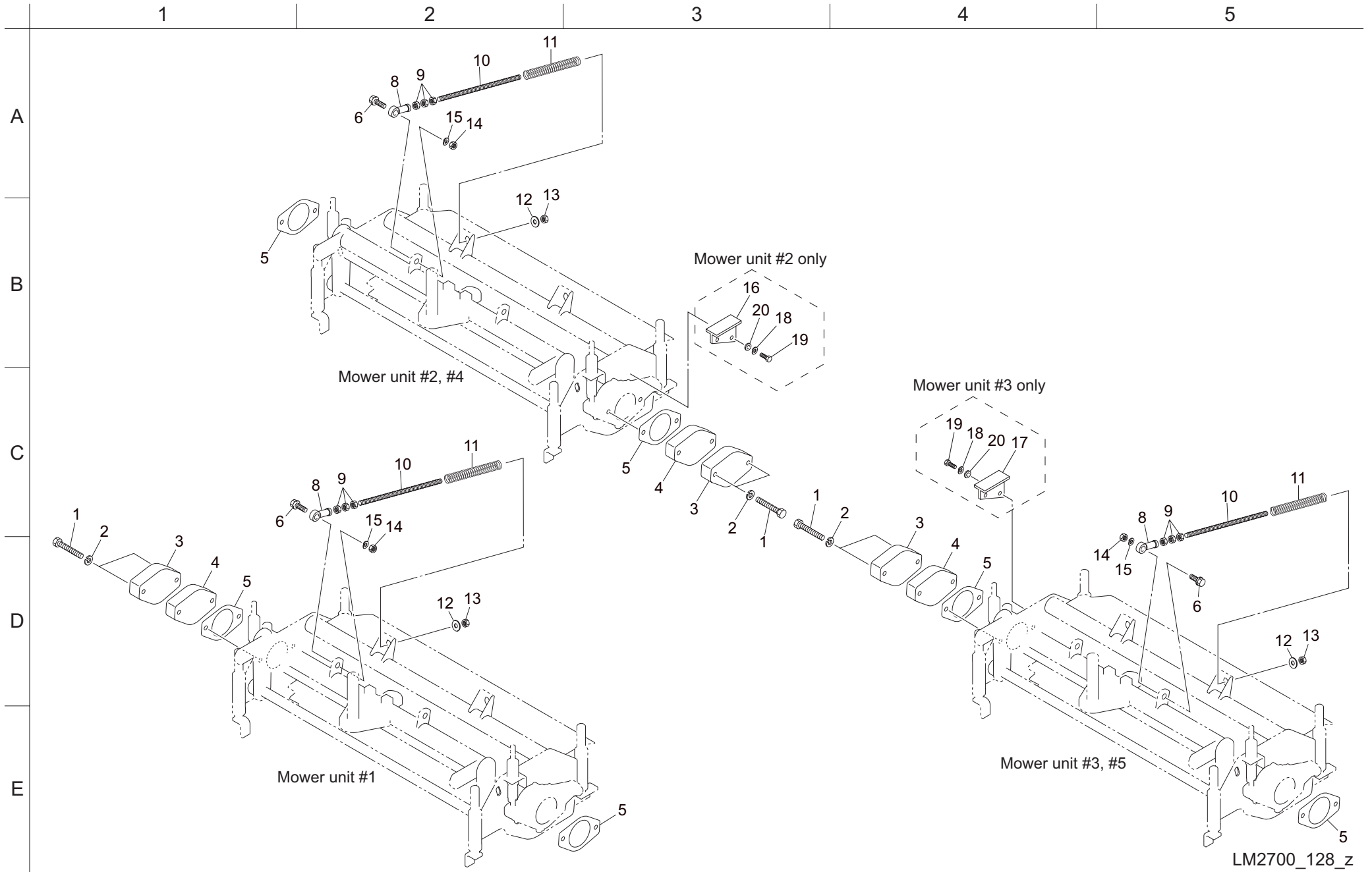


127. Mower parts A (22inch)



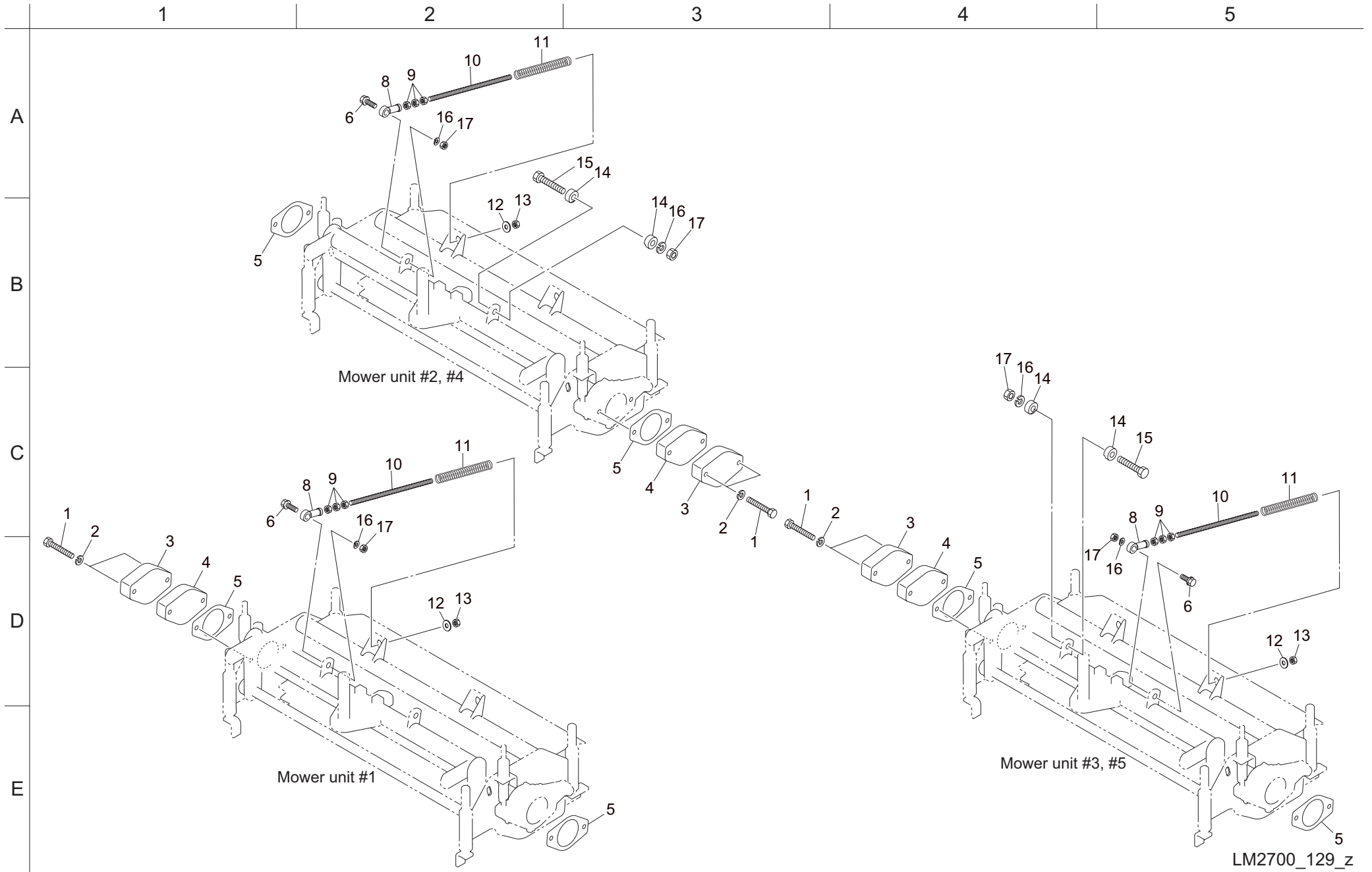


128. Mower parts B (26inch)



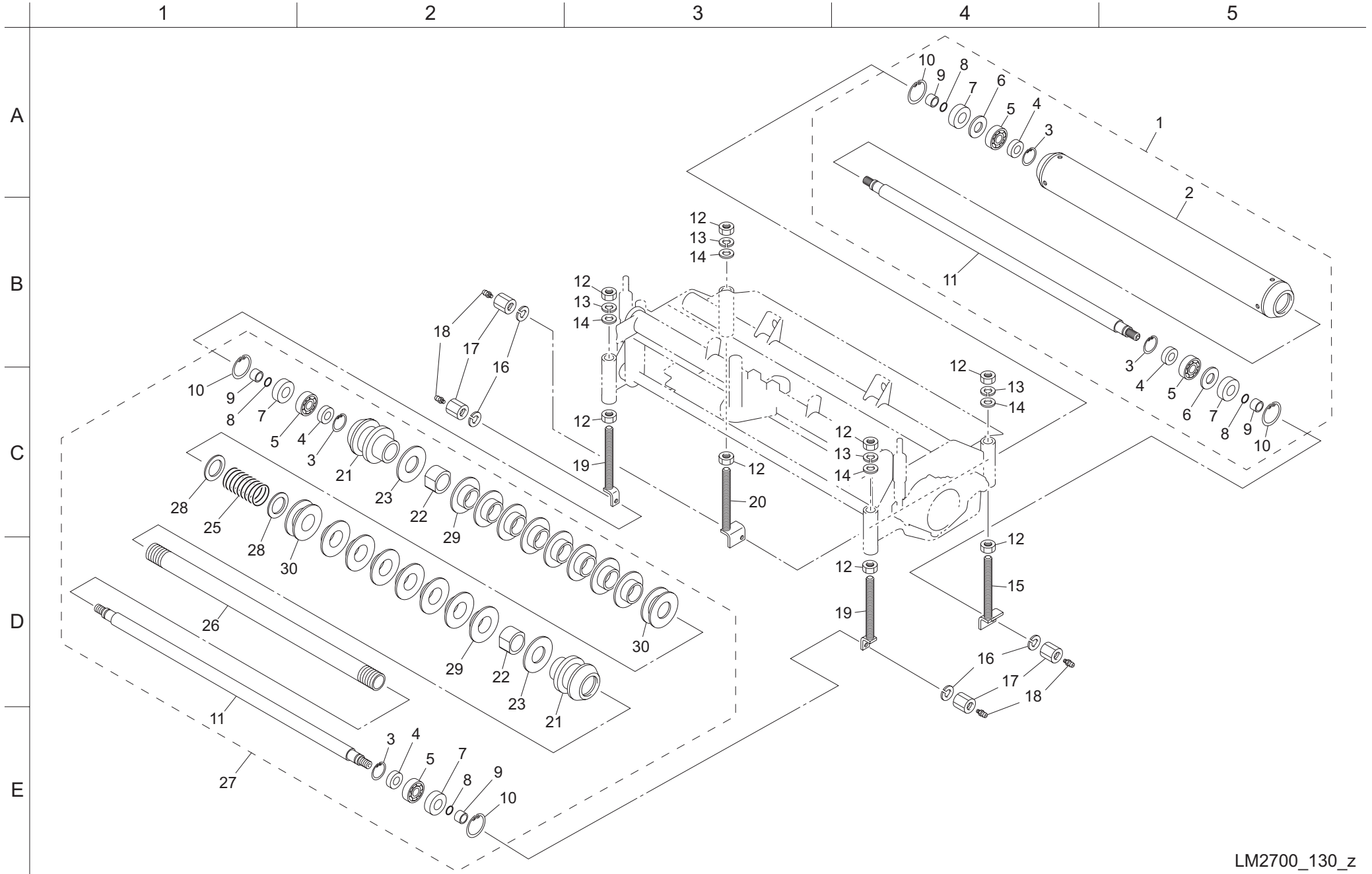


129. Mower parts B (22inch)





130. Roller Ass'y parts (26inch)



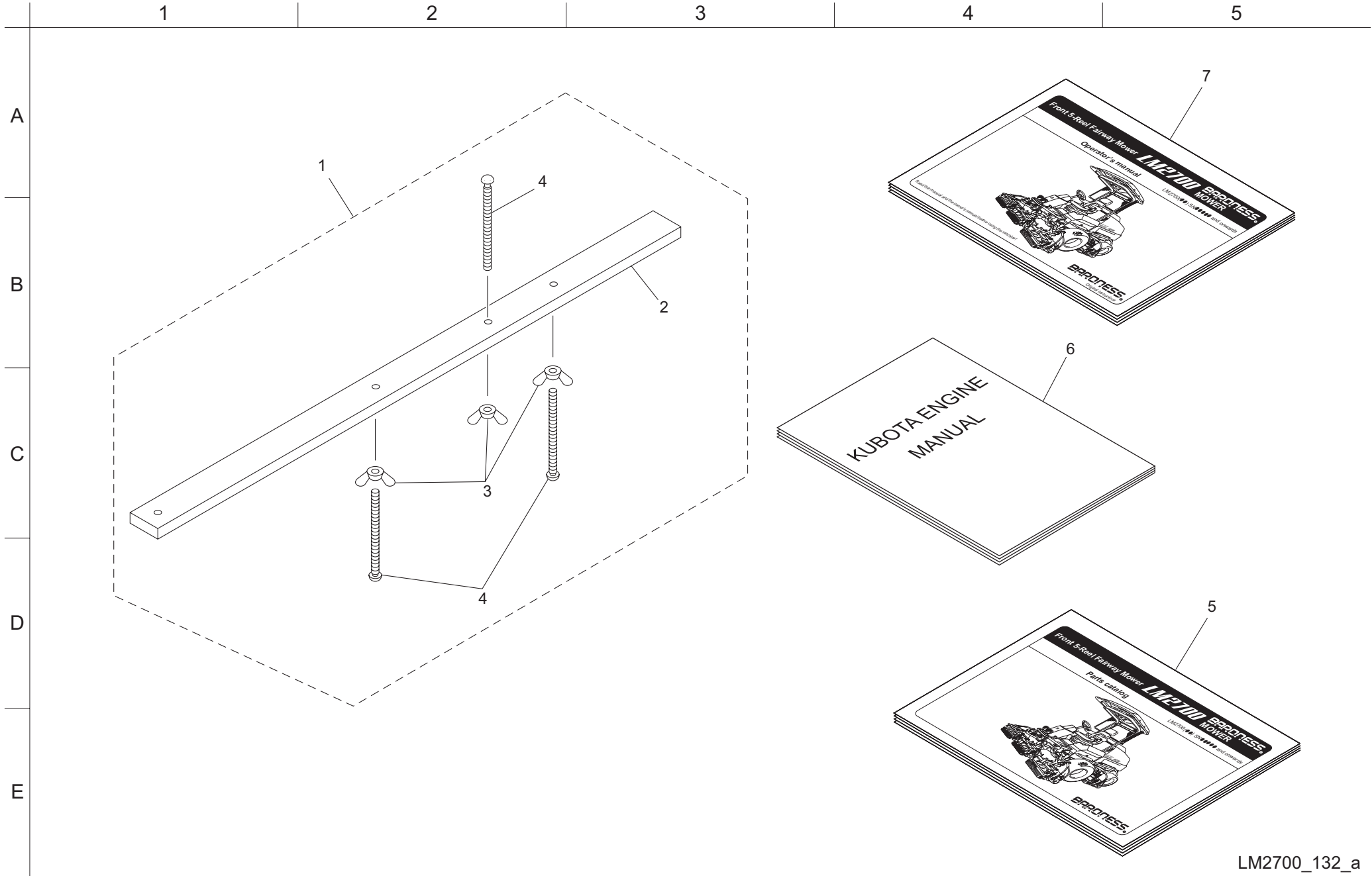






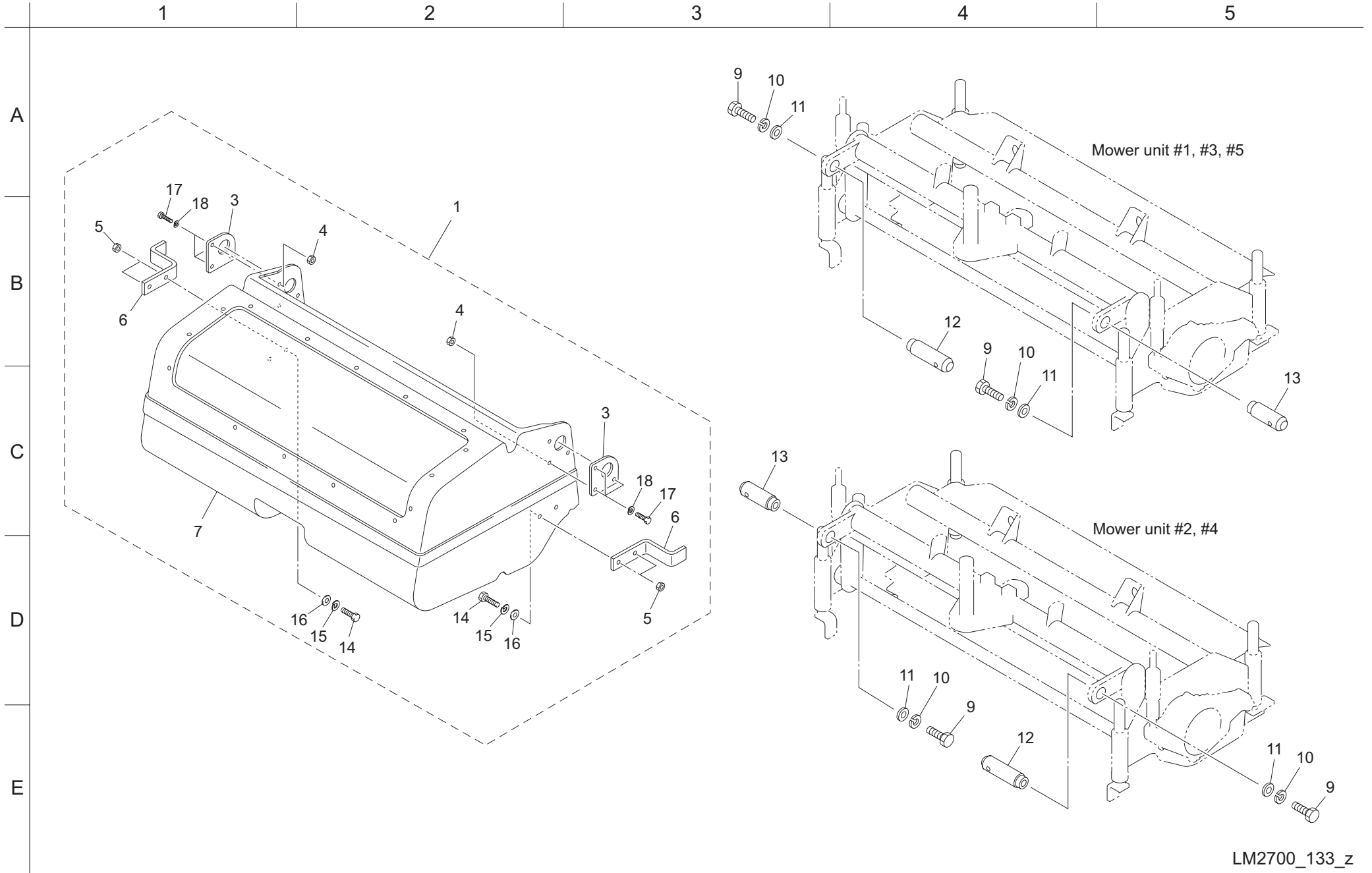


132. Accessory parts



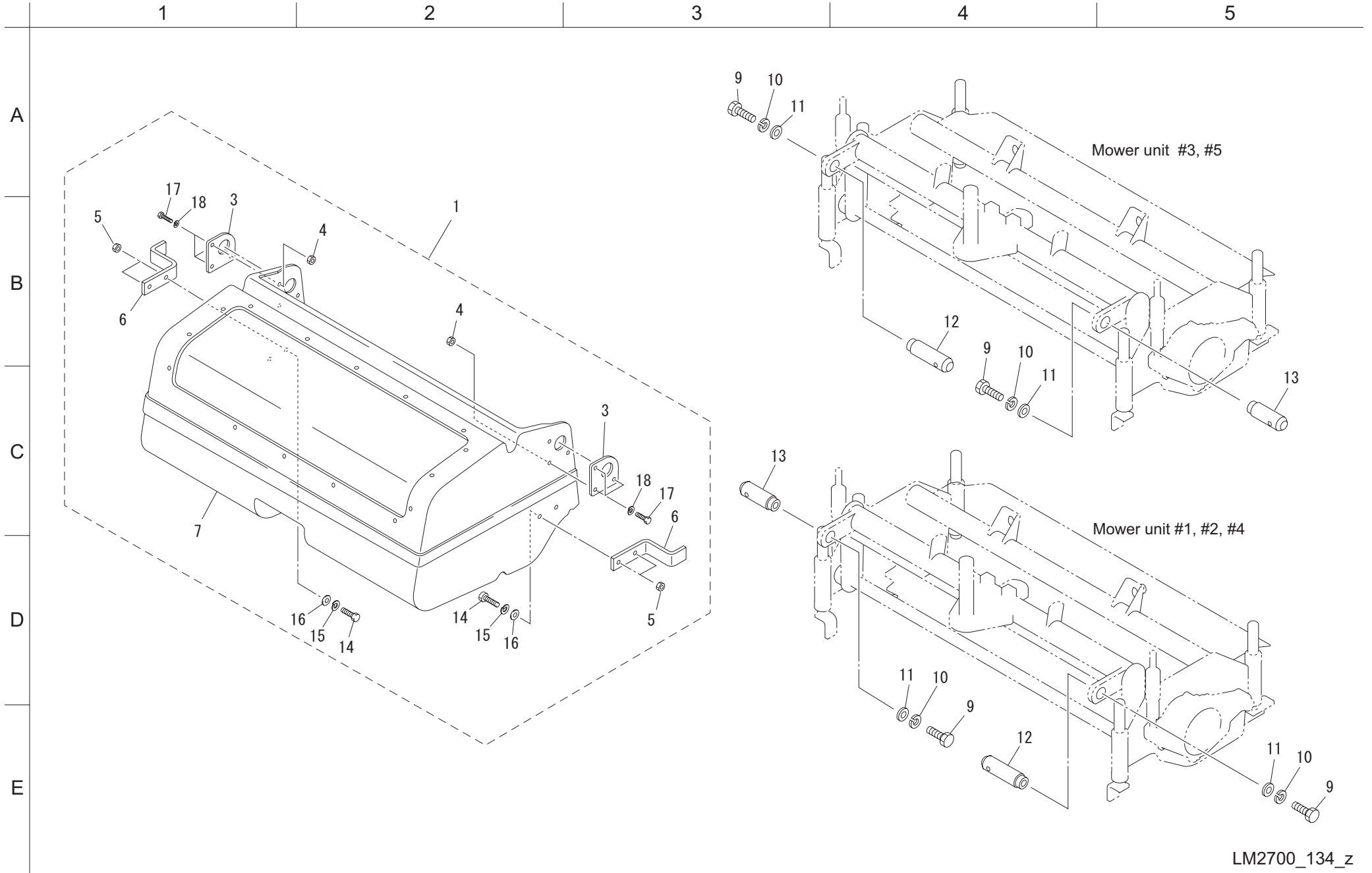


133. Option (26inch Grass catcher parts)





134. Option (22inch Grass catcher parts)



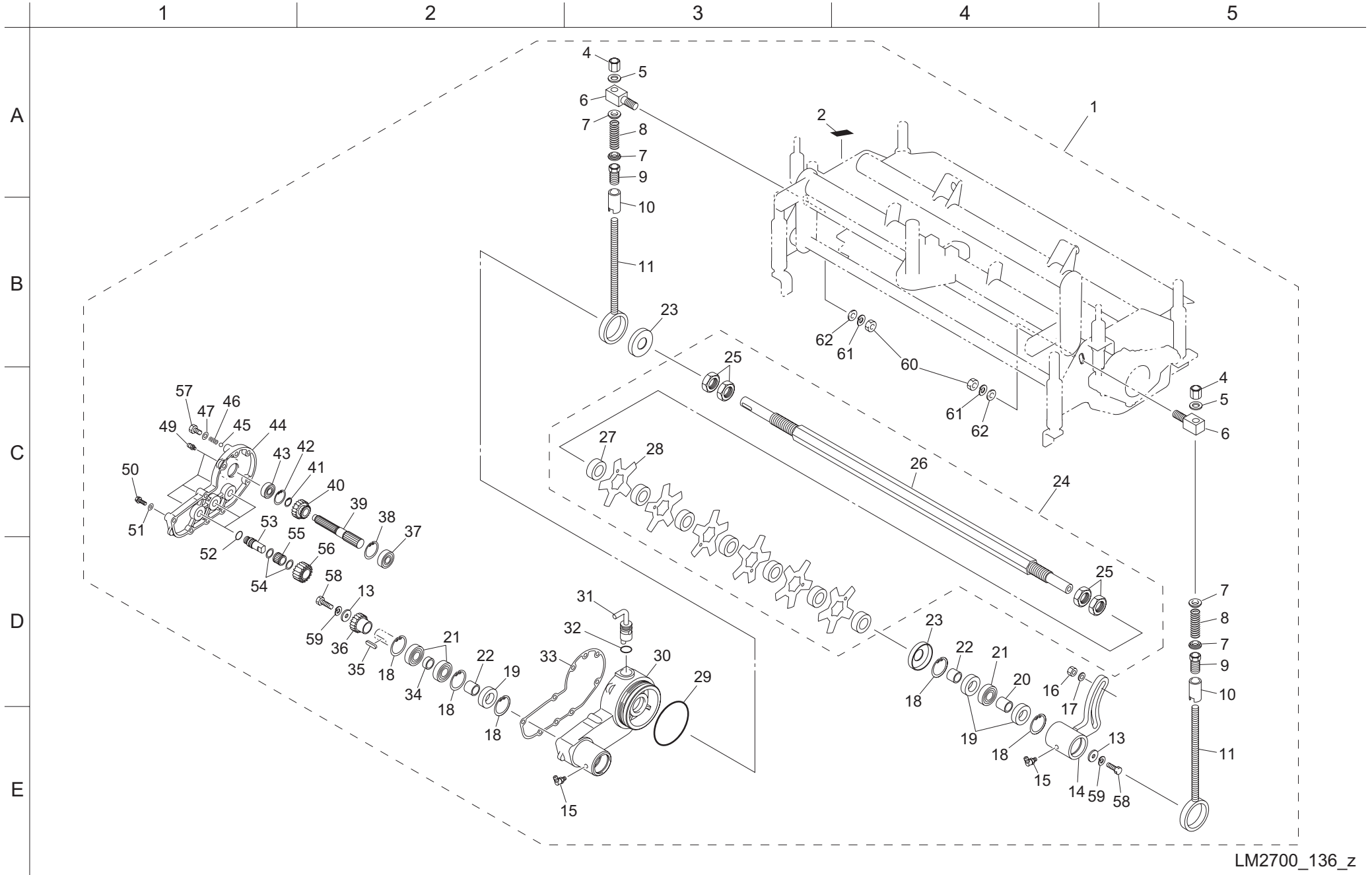






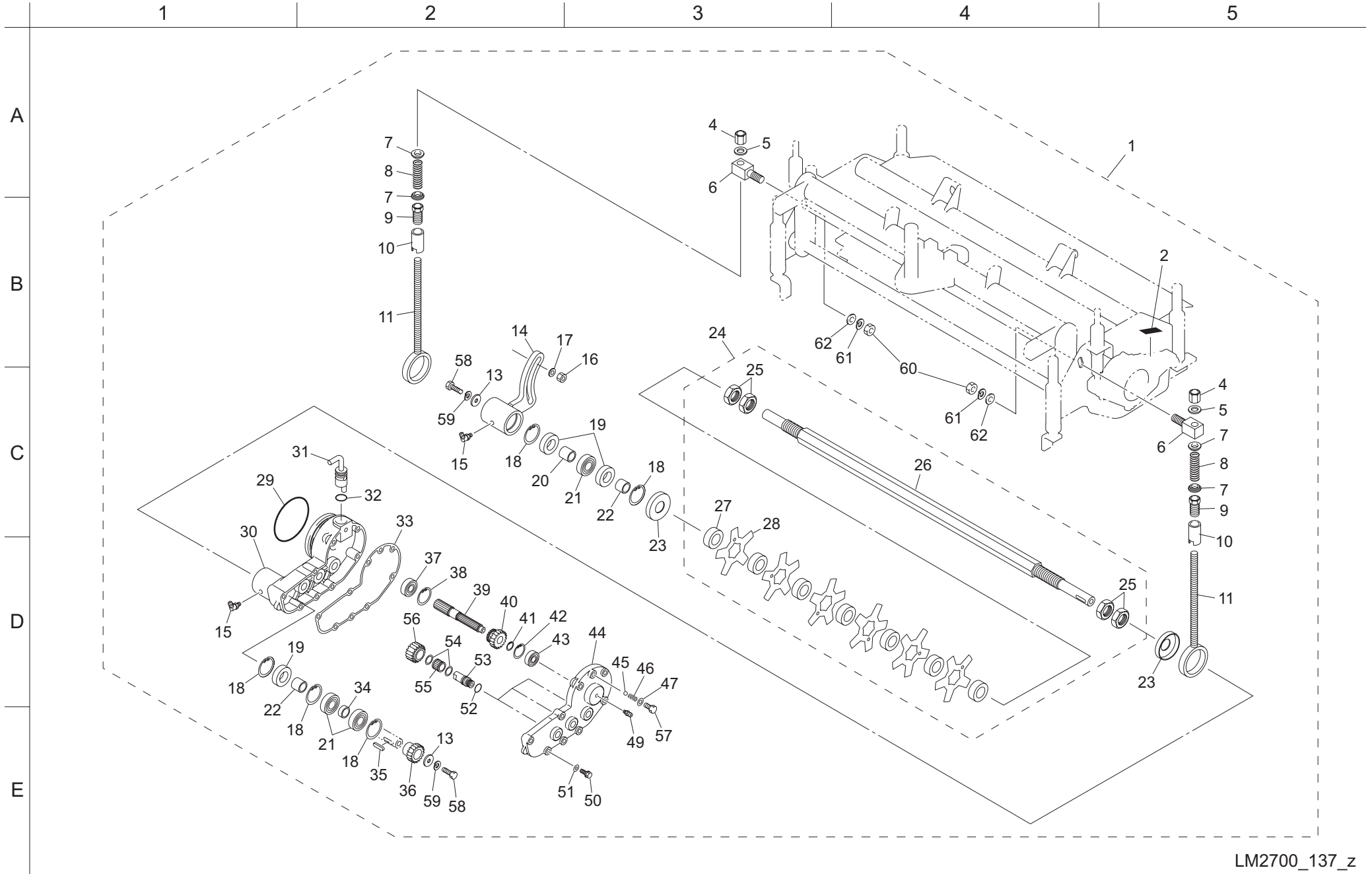


136. Option (22inch Groomer Ass'y parts for mower unit #1,#3,#5)



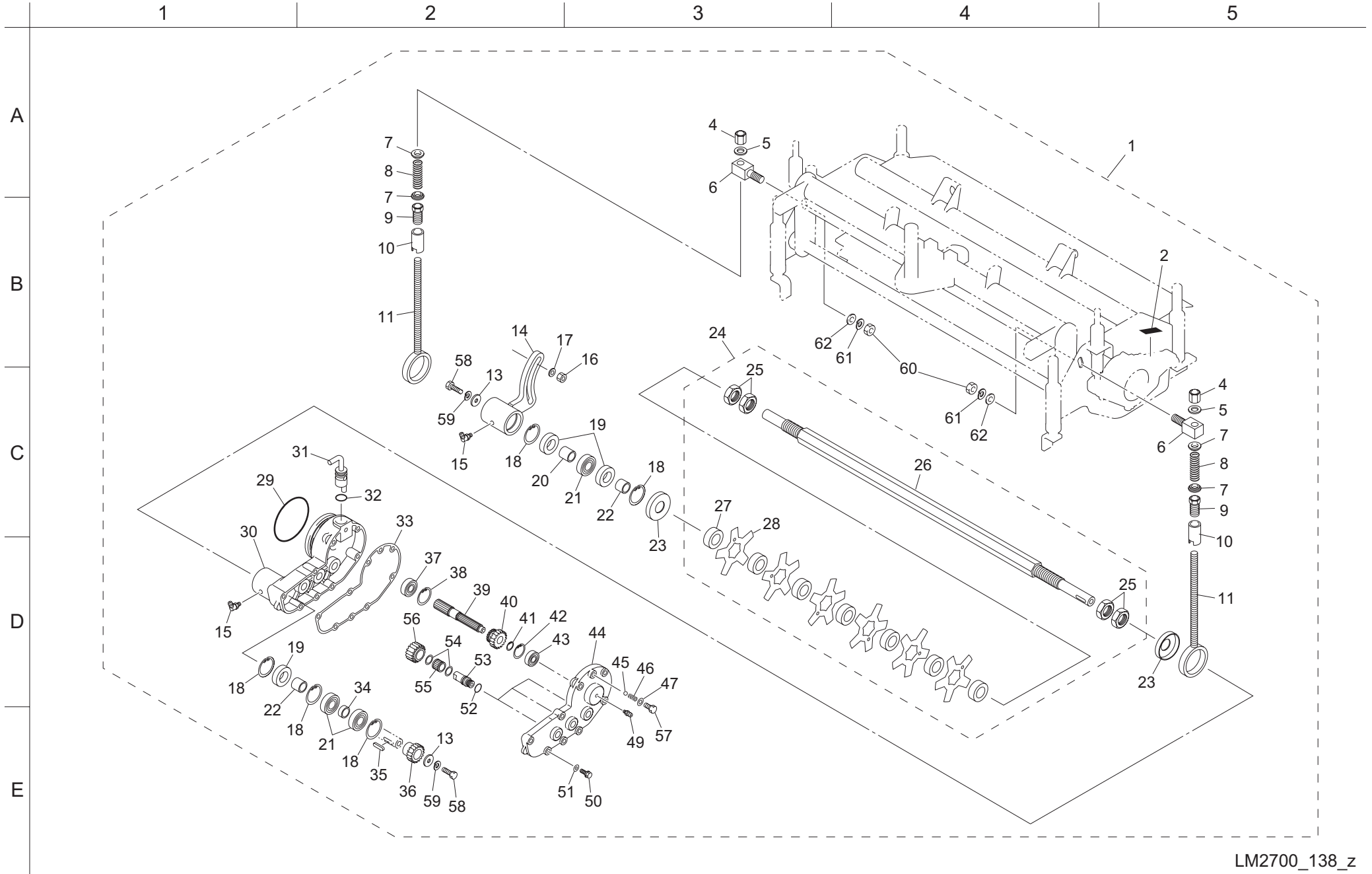


137. Option (26inch Groomer Ass'y parts for mower unit #2,#4)





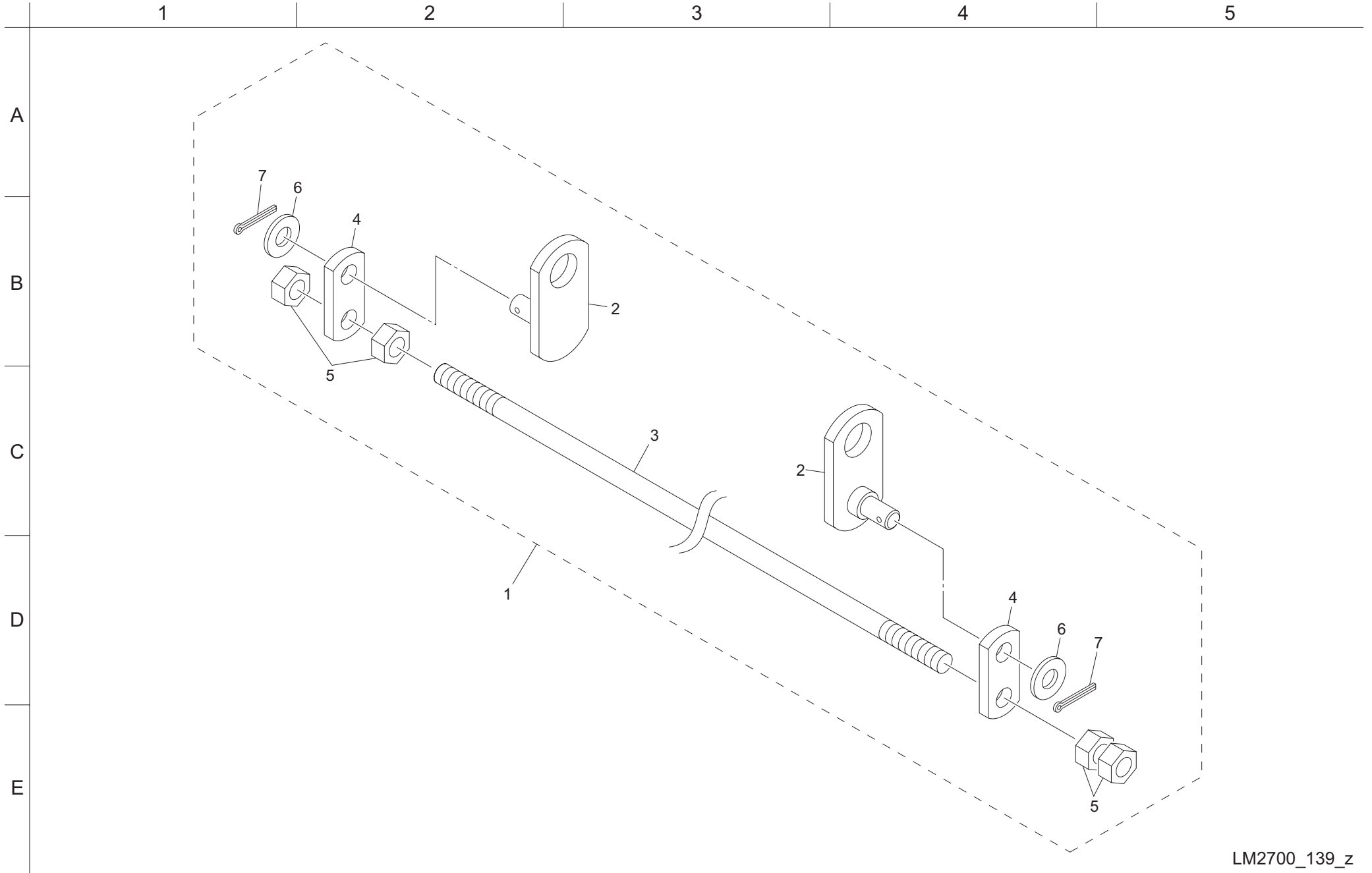
138. Option (22inch Groomer Ass'y parts for mower unit #2,#4)





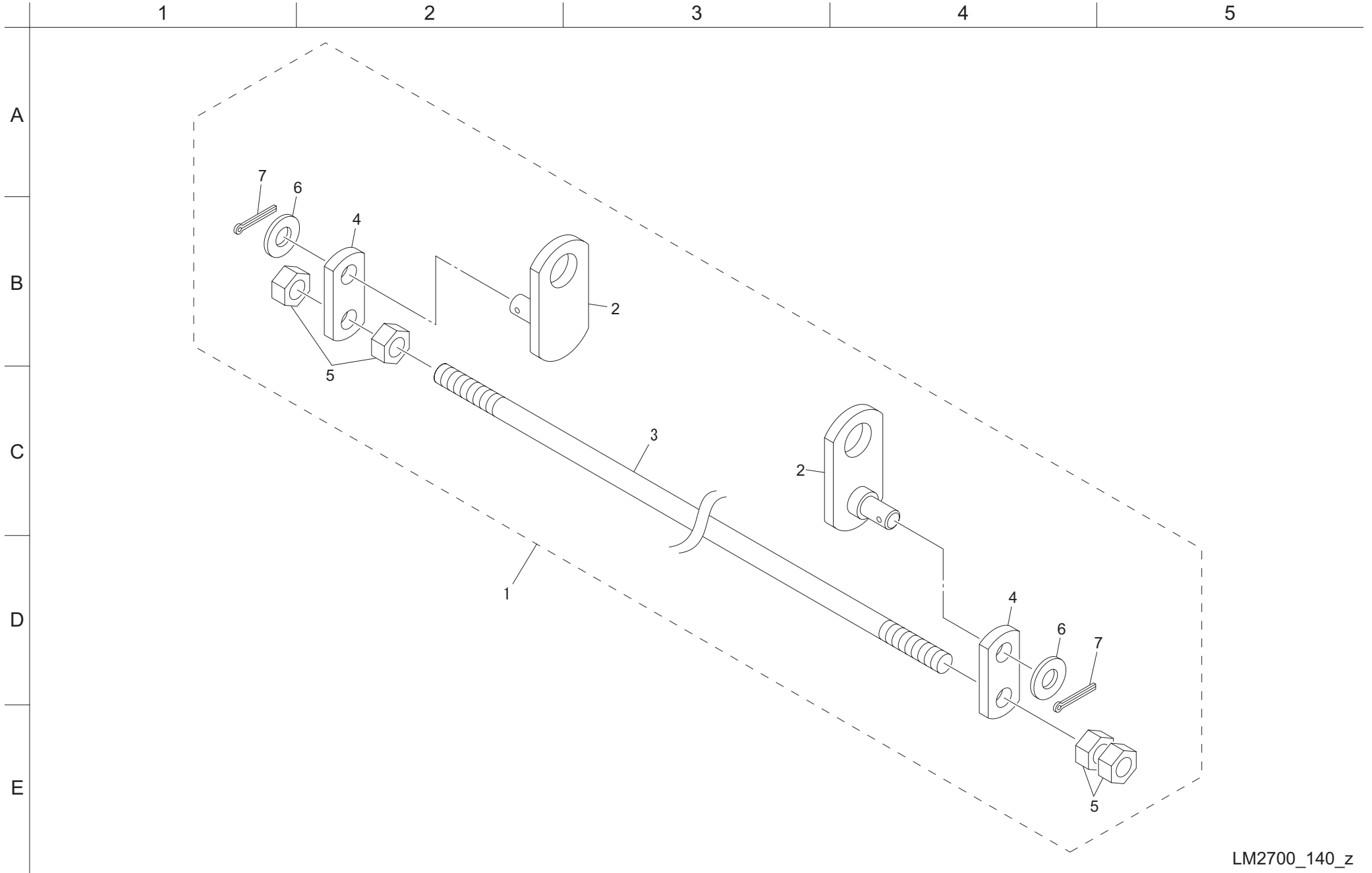


139. Option (26inch scraper parts)



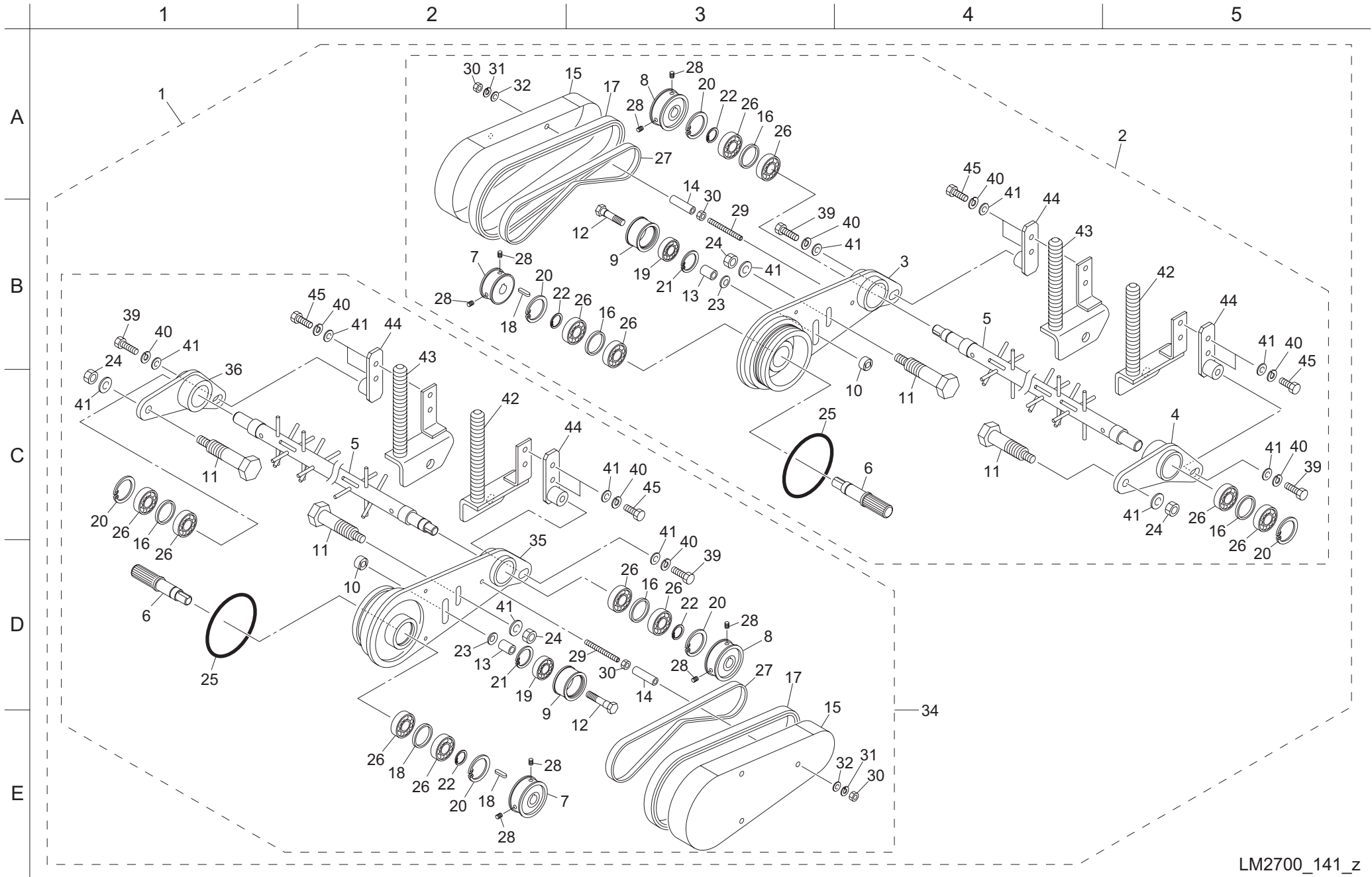


140. Option (22inch scraper parts)



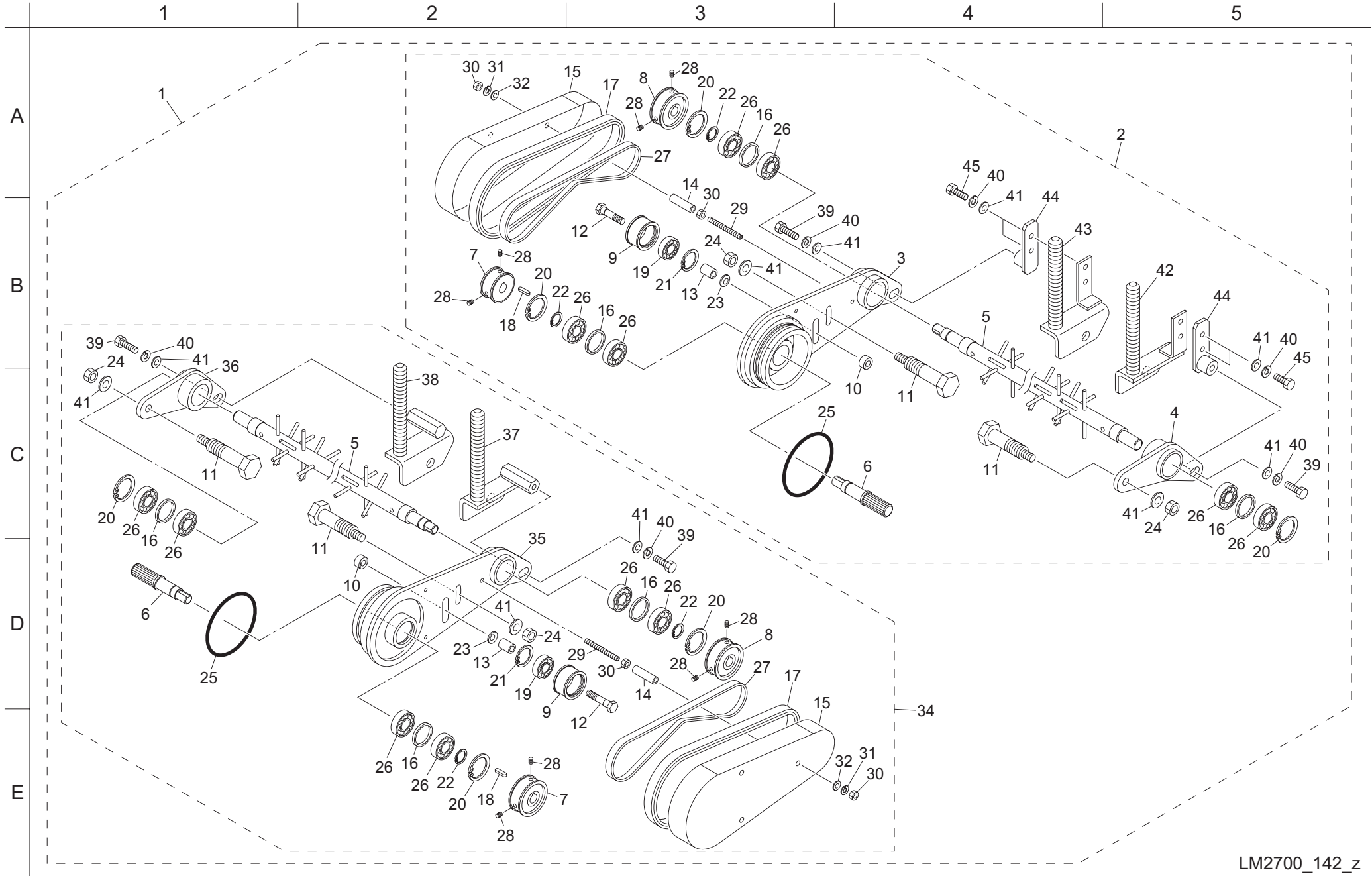


141. Option (26inch CR brush parts)





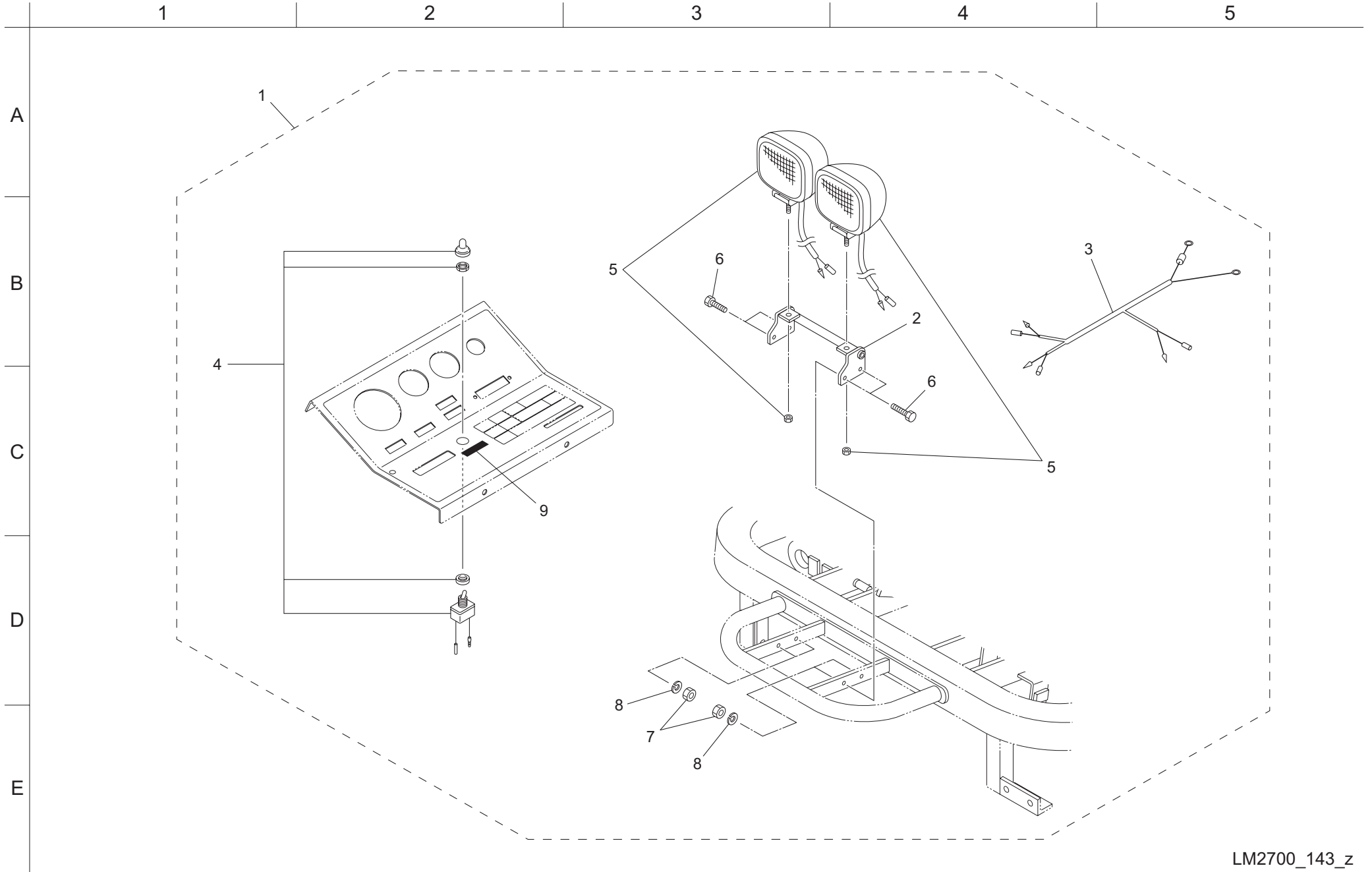
142. Option (22inch CR brush parts)







143. Option (Light parts)





**BARONESS®**

Quality on Demand

 **KYOEISHA CO., LTD.**

Head Office 1-26, Miyuki-cho, Toyokawa, Tel : (0533)84-1390  
Aichi-Pref. 442-8530 Japan. Fax : (0533)89-3623